

KTB MH 456220 S4E1

Weidmüller Interface GmbH & Co. KG

Klingenbergstraße 26

D-32758 Detmold

Germany

www.weidmueller.com



The Klippon® TB enclosure range provides excellent performance characteristics, even under the most difficult environmental conditions. In addition, it complies with the stricter requirements of potentially explosive atmospheres found specifically in the process or power generation industries. The Klippon® TB MH enclosure range offers further improvements to a product line that is already successfully leading the market.

The Klippon® TB MH enclosure range has the following advantages:

- Available in 15 sizes and 3 standard depths
- Equipped with up to 1 gland plate
- The gasket is protected against compression
- Completely removable padlock tab
- Cover lock outside the sealed zone
- Improved temperature performance
- IP66/IP67 protection
- Completely removable lid – without a tool
- Earthing stud in the cover and base of the enclosure
- Welded mounting feet
- International approvals

General ordering data

Version	Klippon TB MH (Terminal Box - Multi Hinge), Empty enclosure, stainless steel enclosure, Height: 450 mm, Width: 620 mm, Depth: 200 mm, Gland plates: Bottom, Basic material: Stainless steel 1.4404 (316L), electropolished, silver
Order No.	2698070000
Type	KTB MH 456220 S4E1
GTIN (EAN)	4064675030287
Qty.	1 items

KTB MH 456220 S4E1

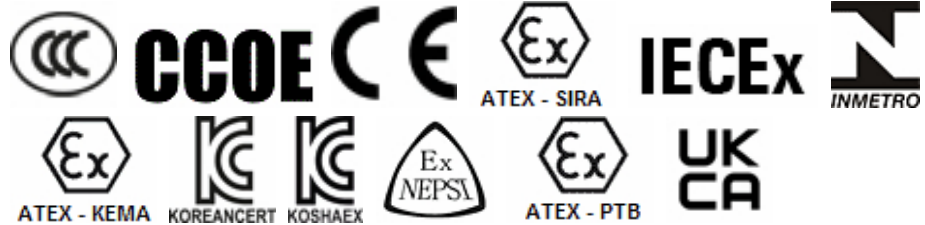
Weidmüller Interface GmbH & Co. KG
 Klingenbergstraße 26
 D-32758 Detmold
 Germany

www.weidmueller.com

Technical data

Approvals

Approvals



ROHS Conform

Dimensions and weights

Depth	200 mm	Depth (inches)	7.874 inch
Height	450 mm	Height (inches)	17.7165 inch
Width	620 mm	Width (inches)	24.4094 inch
Mounting dimension - height	476 mm	Mounting dimension - width	450 mm
Net weight	13800 g		

Temperatures

Operating temperature	-60 °C... 135 °C	Note: room temperature (service)	Limited to IP66 protection when used in temperatures greater than 105 °C.
-----------------------	------------------	----------------------------------	---

Environmental Product Compliance

RoHS Compliance Status	Compliant with exemption
RoHS Exemption (if applicable/known)	6c
REACH SVHC	Lead 7439-92-1
SCIP	8d5fcdfe-c58e-44e1-a6b4-74d2bbccc9dd

Cable glands, left

M63	4	M75	3
M12	63	M50	4
M16	42	M32	12
M25	23	M20	27
M40	10		

Cable glands, right

M25	23	M63	4
M75	3	M16	42
M40	10	M50	4
M32	12	M20	27
M12	63		

Cable glands, top/bottom

M20	36	M12	80
M63	5	M40	14
M32	17	M25	30
M50	6	M75	4
M16	54		

KTB MH 456220 S4E1

Weidmüller Interface GmbH & Co. KG

 Klingenbergstraße 26
 D-32758 Detmold
 Germany

www.weidmueller.com

Technical data

Certificate numbers enclosure

Declaration of Conformity No. (DoC LVD)	DE PS261X 160412 001ISS03	Attestation of Conformity No. (AoC)	DE PS261X 160309 001ISS06
Certificate no. empty enclosure (ECAS)	21-09-25241/ E21-09-053807	Certificate no. Terminal Box (KOSHA)	16-AV4BO-0245X
Certificate no. empty enclosure (INMETRO)	LMP 21.0016U	Certificate no. Terminal Box (NEPSI)	GYJ14.1309
Certificate no. empty enclosure (NEPSI)	GYJ14.1308U	Certificate no. Terminal Box (AEx)	E223792
Certificate No. (CCOE)	P461058_1	Certificate no. Terminal Box (ATEX)	IBExU14ATEX1050
Certificate no. empty enclosure (ATEX)	IBExU14ATEX1028 U	Certificate no. Terminal Box (INMETRO)	LMP 21.0017
Certificate no. (INMETRO)	IEX17.0021	Certificate no. Terminal Box (IECEX)	IECEXIBE14.0013
Certificate no. empty enclosure (IECEX)	IECEX IBE 14.0004U	Certificate No. (IECEX)	IECEXPTB11.0071
Certificate No. (ATEX)	PTB11ATEX2019	Approval conditions	ATEX, CCoE, DNV, IECEX, INMETRO, KC, NEPSI, CCC, UL AEx Class Div., UL AEx Class Zone, cULus

General information

Material thickness of cover	1.5 mm	Material thickness of flange	3 mm
Material thickness of enclosure	1.5 mm	Operating temperature, max.	135 °C
Operating temperature, min.	-60 °C	Lid attachment	4 hinges and M6 hex-head slotted screws SW10
Standards	DIN EN 62208 - Empty enclosure standard, DIN EN 61373 Class 1B**, DIN EN 15085-2, EN 60079-0, EN 60079-7, EN 60079-31, IEC 60079-0, IEC 60079-7, IEC 60079-31	Surface finish	electropolished
Impact resistance	7 J ATEX version, 10 J version standard	AF size	10 mm
Protection degree	IP66, IP67	Basic material	Stainless steel 1.4404 (316L)
Seal material	Silicone	Torque for lid screws	2.5 Nm
Integral fixing	4, 6 or 9 stud bolts M6 inner (female) thread	Enclosure attachment	4 welded-on mounting feet with 11 mm holes (2 slotted feet and 2 cross-shaped feet)
Note: protection class	If used in temperature ranges above 105 °C, IP protection is limited to IP 66.	Flange plate mounting	M6 hexagonal head screws 10 SW
Protection class (UL)	Type 3, Type 4X, Type 12	Number of lid screws	8
Gland plates	Bottom	Dimension of box	770x630x290
Access opening: width	567 mm	Opening angle lid	130.00 °
Overall dimensions	463x652x215	Flange plate	Yes
Max. payload	112 kg	Access opening: height	391 mm
Position PE bolts	Enclosure side C	Areas of use	Explosive risk zone, Process industry, Oil and gas industry, Chemical industry, Offshore, Onshore

Housing earth

Earth, enclosure, internal	Welded-on M6 stainless-steel earth stud in enclosure body and lid.
----------------------------	--

KTB MH 456220 S4E1

Weidmüller Interface GmbH & Co. KG
 Klingenbergstraße 26
 D-32758 Detmold
 Germany

www.weidmueller.com

Technical data

horizontal assembly

WDU 10 / ZDU 10	2x53	WDU 16 / ZDU 16	2x44
WDU 2,5 / ZDU 2,5 / IDU 2,5	3x105	WDU 35 / ZDU 35	1x33
WDU 4 / ZDU 4	3x88	WDU 6 / ZDU 6	3x66

vertical assembly

WDU 10 / ZDU 10	4x36	WDU 16 / ZDU 16	3x30
WDU 2,5 / ZDU 2,5 / IDU 2,5	5x71	WDU 35 / ZDU 35	2x22
WDU 4 / ZDU 4	5x59	WDU 6 / ZDU 6	4x45

Classifications

ETIM 8.0	EC002503	ETIM 9.0	EC002503
ETIM 10.0	EC002503	ECLASS 14.0	27-18-05-02
ECLASS 15.0	27-18-05-02		

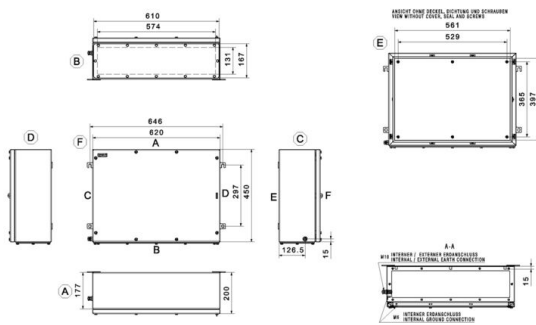
KTB MH 456220 S4E1

Weidmüller Interface GmbH & Co. KG
Klingenbergstraße 26
D-32758 Detmold
Germany

Drawings

www.weidmueller.com

Dimensioned drawing



KTB MH 456220 S4E1

Weidmüller Interface GmbH & Co. KG
 Klingenbergstraße 26
 D-32758 Detmold
 Germany

www.weidmueller.com

Accessories

Type label holder



Integrate, expand and customise: The ideal expansion for every application

The consistent structure of accessories for the new Klippon® TB enclosure range means that you can easily adapt the enclosure to the specific requirements of each application.

Nameplate holders

There are a variety of designed label holders available for prominent display as required and for additional nameplates as needed.

General ordering data

Type	TPSDHA KTB 100X25 S2 2R	Version
Order No.	1257640000	Klippon TB (Terminal Box), Ratings plate holder, Riveted, Height: 25
GTIN (EAN)	4050118070354	mm, Width: 141 mm, Depth: 16.5 mm, Basic material: Stainless steel
Qty.	1 ST	1.4301, Stainless steel 1.4301 (304), Mirror polished, silver
Type	TPSDHA KTB 130X50 S2 R	Version
Order No.	1283450000	Klippon TB (Terminal Box), Ratings plate holder, Riveted, Height: 50
GTIN (EAN)	4050118073621	mm, Width: 171 mm, Depth: 16.5 mm, Basic material: Stainless steel
Qty.	1 ST	1.4301, Stainless steel 1.4301 (304), Mirror polished, silver
Type	TPSDHA KTB 70X70M3 S2 R	Version
Order No.	1279320000	Klippon TB (Terminal Box), Ratings plate holder, Riveted, Height: 70
GTIN (EAN)	4050118070101	mm, Width: 70 mm, Depth: 20 mm, Basic material: Stainless steel
Qty.	1 ST	1.4301, Stainless steel 1.4301 (304), Mirror polished, silver

Installation material



Integrate, expand and customise - the perfect supplement to every application

The fully structured range of system accessories for the new Klippon® TB enclosure series allows you to easily adapt the enclosures to meet the specific requirements of every application.

Mounting hardware kits

Mounting hardware kits are available for quick and easy installation of type label holders, document holders and rain hoods.

The label fastening set – SD is required to install a plastic (Trafolyte) ID or type label. With the aid of this set can you mount the ID or type label directly on the enclosure cover. The label fastening set has been specially developed for this purpose. Only by using this fastening set can you ensure that there will be no leaks into the enclosure or damage to the label.

The universal fastening set – TPSD has been developed to enable secure and quick installation of type label holders, rain covers or document holders, for example. By using this fastening set, the risk of leaks can be minimised, if not avoided.

KTB MH 456220 S4E1

Weidmüller Interface GmbH & Co. KG

Klingenbergstraße 26
D-32758 Detmold
Germany

www.weidmueller.com

Accessories

General ordering data

Type	SD FIXING SET	Version
Order No.	1285200000	Klippon TB (Terminal Box), Identification plate fixing set, Height: 12 mm, Width: 12 mm, Depth: 16.4 mm, Basic material: Stainless steel, rust-proof, untreated, silver
GTIN (EAN)	4050118075472	
Qty.	1 ST	
Type	TPSD FIXING SET KTB	Version
Order No.	1252190000	Klippon TB (Terminal Box), Type plate fixings set, Basic material: Stainless steel, rust-proof, untreated, silver
GTIN (EAN)	4050118043969	
Qty.	20 ST	

Earthing stud



Integrate, expand and customise: The ideal expansion for every application

The consistent structure of accessories for the new Klippon® TB enclosure range means that you can easily adapt the enclosure to the specific requirements of each application.

Earthing bolt

Earthing bolts to exchange as a complete component in two versions – brass and stainless steel.

General ordering data

Type	PEBZ M10 KTB BR SET	Version
Order No.	1192680000	Klippon TB (Terminal Box), Earthing stud, Miscellaneous, Height: 21 mm, Width: 21 mm, Depth: 48.7 mm, Basic material: Brass, untreated, silver
GTIN (EAN)	4032248974641	
Qty.	1 ST	
Type	PEBZ M10 KTB S4 SET	Version
Order No.	1192690000	Klippon TB (Terminal Box), Earthing stud, Miscellaneous, Height: 21 mm, Width: 21 mm, Depth: 48.7 mm, Basic material: Stainless steel
GTIN (EAN)	4032248974658	
Qty.	1 ST	1.4404 (316L), untreated, silver

Document holders

Integrate, expand and customise - the perfect supplement to every application

The fully structured range of system accessories for the new Klippon® TB enclosure series allows you to easily adapt the enclosures to meet the specific requirements of every application.

Document holders

Document holders for the proper storage of documents in the enclosure

General ordering data

Type	DOHA KTB A6 S2 R	Version
Order No.	1252780000	Klippon TB (Terminal Box), Document holders, Riveted, Height: 110 mm, Width: 130 mm, Depth: 20 mm, Basic material: Stainless steel
GTIN (EAN)	4050118045512	
Qty.	1 ST	1.4301, Stainless steel 1.4301 (304), Mirror polished, silver
Type	DOHA KTB A5 S2 R	Version
Order No.	1252750000	Klippon TB (Terminal Box), Document holders, Riveted, Height: 150 mm, Width: 180 mm, Depth: 20 mm, Basic material: Stainless steel
GTIN (EAN)	4050118045390	
Qty.	1 ST	1.4301, Stainless steel 1.4301 (304), Mirror polished, silver

KTB MH 456220 S4E1

Weidmüller Interface GmbH & Co. KG
 Klingenbergstraße 26
 D-32758 Detmold
 Germany

www.weidmueller.com

Accessories

Type	DOHA KTB A4 S2 R	Version
Order No.	1252730000	Klippon TB (Terminal Box), Document holders, Riveted, Height: 200
GTIN (EAN)	4050118045383	mm, Width: 240 mm, Depth: 20 mm, Basic material: Stainless steel
Qty.	1 ST	1.4301, Stainless steel 1.4301 (304), Mirror polished, silver

Mounting plates

Mounting plates, with and without hole patterns, for longitudinal and transverse mounting of DIN mounting rails or components directly onto the mounting plate.

General ordering data

Type	GFSC M5X10 TX20 SET	Version
Order No.	1274150000	Klippon EB (Essential Box), Mounting screw, Height: 13.3 mm, Width:
GTIN (EAN)	4050118063820	8.5 mm, Depth: 8.5 mm, Basic material: Steel, galvanized, galvanic
Qty.	1 ST	zinc plated and passivated, silver

450 x 620 mm

Integrate, expand and customise: The ideal expansion for every application

The consistent structure of accessories for the new Klippon® TB enclosure range means that you can easily adapt the enclosure to the specific requirements of each application.

Mounting plates

Mounting plates, with and without hole patterns, for longitudinal and transverse mounting of DIN mounting rails or components directly onto the mounting plate.

General ordering data

Type	KTB MOPL 4562 MSZN	Version
Order No.	2716100000	Klippon TB (Terminal Box), Mounting plate, Height: 395 mm, Width:
GTIN (EAN)	4064675047483	559 mm, Depth: 12 mm, Basic material: Sheet steel, galvanized, silver
Qty.	1 ST	
Type	KTB MOPL 4562 MSZN H	Version
Order No.	2716110000	Klippon TB (Terminal Box), Mounting plate, prepunched, Height: 395
GTIN (EAN)	4064675047490	mm, Width: 559 mm, Depth: 12 mm, Basic material: Sheet steel,
Qty.	1 ST	galvanized, silver

KTB MH 456220 S4E1

Weidmüller Interface GmbH & Co. KG
 Klingenbergstraße 26
 D-32758 Detmold
 Germany

www.weidmueller.com

Accessories

Installation material



Integrate, expand and customise - the perfect supplement to every application

The fully structured range of system accessories for the new Klippon® TB enclosure series allows you to easily adapt the enclosures to meet the specific requirements of every application.

Mounting hardware kits

Mounting hardware kits are available for quick and easy installation of type label holders, document holders and rain hoods.

The label fastening set – SD is required to install a plastic (Trafolyte) ID or type label. With the aid of this set can you mount the ID or type label directly on the enclosure cover. The label fastening set has been specially developed for this purpose. Only by using this fastening set can you ensure that there will be no leaks into the enclosure or damage to the label.

The universal fastening set – TPSD has been developed to enable secure and quick installation of type label holders, rain covers or document holders, for example. By using this fastening set, the risk of leaks can be minimised, if not avoided.

General ordering data

Type	FKSC M6X8 D9/SW3	Version	
Order No.	0642600000	Klippon TB (Terminal Box), Mounting screw, Basic material: Steel	
GTIN (EAN)	4008190058258		
Qty.	50 ST		