

## UR20-2PWM-I-2.5A-2DI-P

**Weidmüller Interface GmbH & Co. KG**

Klingenbergstraße 26

D-32758 Detmold

Germany

[www.weidmueller.com](http://www.weidmueller.com)



Pulse width modulation and stepper motor modules As part of the u-remote system, Weidmüller offers a specialised solution for controlling small motors with a current requirement of 0.5 A to 2 A, which can also be used to control valve flaps. The pulse width modulation modules can be adjusted within the switching frequencies up to 40 kHz and the modules can also be switched in the motor control with the aid of push/pull output stages, e.g. to change the direction of rotation. Weidmüller's stepper motor module is efficient and flexible for use in the automation of robots, handling systems or placement machines with stepper motors. Variably adjustable operating parameters as well as a wide range supply from 12 V DC to 50 V DC make the module flexibly applicable for various target applications. Six integrated, parameterizable encoder or digital inputs and two digital outputs with 0.5 A make the control module a complete solution in the smallest of spaces. As with all modules of the u-remote system, the features are convincing - from the modular design and exchangeable electronics to the removable and pluggable terminal strip. The module electronics supplies the connected actuators from the output current path (UOUT)

### General ordering data

Version	Remote I/O module, IP20, Digital signals, 2-channel, PWM, current-regulated control
Order No.	<a href="#">2697910000</a>
Type	UR20-2PWM-I-2.5A-2DI-P
GTIN (EAN)	4050118816471
Qty.	1 items

## UR20-2PWM-I-2.5A-2DI-P

**Weidmüller Interface GmbH & Co. KG**  
 Klingenbergstraße 26  
 D-32758 Detmold  
 Germany

www.weidmueller.com

## Technical data

## Approvals

Approvals



ROHS Conform

UL File Number Search [UL Website](#)

Certificate no. (cULus) E141197

## Dimensions and weights

Depth	76 mm	Depth (inches)	2.9921 inch
Height	120 mm	Height (inches)	4.7244 inch
Width	11.5 mm	Width (inches)	0.4528 inch
Net weight	85 g		

## Temperatures

Storage temperature	-40 °C ... +85 °C	Operating temperature	-20 °C...60 °C
---------------------	-------------------	-----------------------	----------------

## Environmental Product Compliance

RoHS Compliance Status	Compliant with exemption		
RoHS Exemption (if applicable/known)	7a, 7cI		
REACH SVHC	Lead 7439-92-1		
SCIP	82327f13-cd27-455a-ab5b-a62e1996dcf8		
Product Carbon Footprint	Cradle to gate	7,925 kg CO2 eq.	

## digital outputs

Number of digital outputs	2		
Type	Power amplifier output, PWM signal		
Resolution	12 Bit (A/D converter), 16 Bit (current target value)		
Feedback-free	Yes		
Output current per channel, max.	2.5 A		
Digital outputs	Number of channels	2	
Current-regulated control integrated	Yes		
Protective circuit	Reverse polarity protection		
Pulse duty factor	0--100% push/pull or push, parameterisable		
Module diagnosis	Yes		
Individual channel diagnosis	Yes		
Actuator connection	bipolar (A+, A- and B+, B-), unipolar (each with additional return conductor CA and CB), parameterisable		
Output current per module, max.	5 A		
Sensor connection	2-wire, 3-wire, 3-wire + FE		

## Connection data

Wire cross-section, finely stranded, max. (AWG)	AWG 16	Wire cross-section, finely stranded, min. (AWG)	AWG 26
Wire cross-section, solid, max. (AWG)	AWG 16	Wire cross-section, solid, min. (AWG)	AWG 26
Type of connection	PUSH IN	Wire cross-section, solid, max.	1.5 mm <sup>2</sup>
Wire cross-section, solid, min.	0.14 mm <sup>2</sup>	Wire connection cross section, finely stranded, max.	1.5 mm <sup>2</sup>
Wire connection cross section, finely stranded, min.	0.14 mm <sup>2</sup>		

## UR20-2PWM-I-2.5A-2DI-P

**Weidmüller Interface GmbH & Co. KG**  
 Klingenbergstraße 26  
 D-32758 Detmold  
 Germany

www.weidmueller.com

## Technical data

### General data

Vibration resistance	5 Hz ≤ f ≤ 8.4 Hz: 3.5-mm amplitude as per IEC 60068-2-6, 8.4 Hz ≤ f ≤ 150 Hz: 1 g acceleration as per IEC 60068-2-6	UL 94 flammability rating	V-0
Test voltage	500 V	Surge voltage category	II
Pollution severity	2	Mounting rail	TS 35
Air pressure (operation)	≥ 795 hPa (height ≤ 2000 m) as per DIN EN 61131-2	Air humidity (transport)	10% to 95%, non-condensing as per DIN EN 61131-2
Air pressure (transport)	1013 hPa (height 0 m) to 700 hPa (height 3000 m) as per DIN EN 61131-2	Air pressure (storage)	1013 hPa (height 0 m) to 700 hPa (height 3000 m) as per DIN EN 61131-2
Air humidity (operation)	10% to 95%, non-condensing as per DIN EN 61131-2	Air humidity (storage)	10% to 95%, non-condensing as per DIN EN 61131-2
Shock	15 g over 11 ms, half sinus wave, acc. to IEC 60068-2-27		

### Power supply

Supply voltage	24 V DC +20 %/ -15 %, via the system bus
----------------	--

### System data

Module type	Functional module	Interface	u-remote system bus
Galvanic isolation	500 V DC between the current paths	Connection type	PUSH IN
Field bus protocol	PROFINET IRT, PROFINET RT, PROFIBUS DP-V1, EtherCAT, Modbus/TCP, EtherNet/IP, CANopen, DeviceNet, POWERLINK, CC-Link, CC-Link IE TSN	Transmission speed of system bus, max.	48 MBit/s

### Classifications

ETIM 8.0	EC001601	ETIM 9.0	EC001601
ETIM 10.0	EC001601	ECLASS 14.0	27-24-26-05
ECLASS 15.0	27-24-26-05		

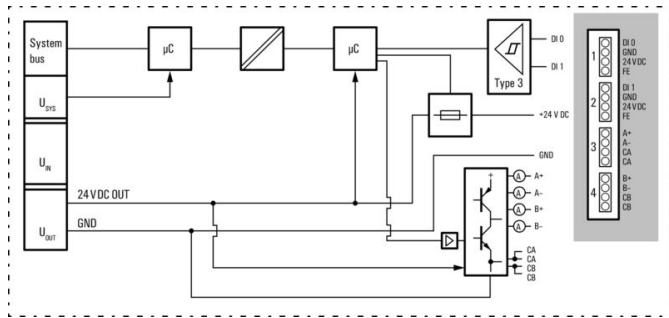
UR20-2PWM-I-2.5A-2DI-P

Weidmüller Interface GmbH & Co. KG  
 Klingenbergstraße 26  
 D-32758 Detmold  
 Germany

www.weidmueller.com

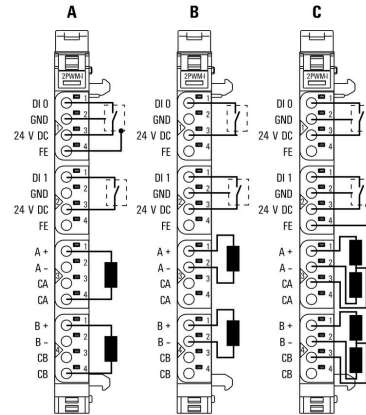
Drawings

Block diagram



image/eps

Connection diagram



Explanation of abbreviations

Pulse width modulation modules

