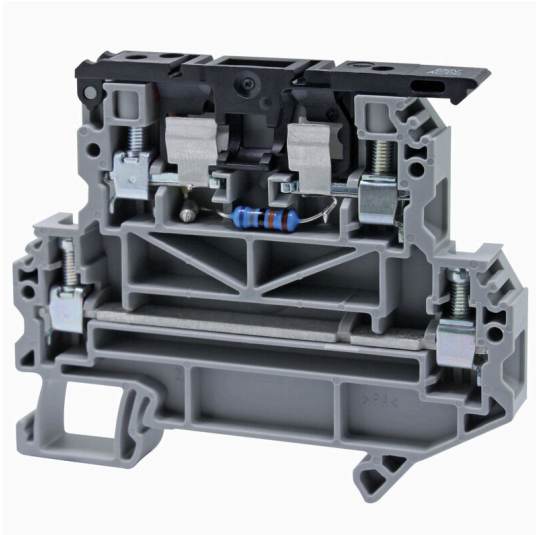


SAKDKSI 4 LD 1D 24V AC/DC

Weidmüller Interface GmbH & Co. KG
Klingenbergstraße 26
D-32758 Detmold
Germany

www.weidmueller.com



General ordering data

| | |
|---------------|---|
| Version | Fuse terminal, Screw connection, grey, 4 mm ² , 6.3 A, 500 V, Number of connections: 4, Number of levels: 2, TS 35 |
| Order No. | 2697430000 |
| Type | SAKDKSI 4 LD 1D 24V AC/DC |
| GTIN (EAN) | 4050118887822 |
| Qty. | 25 items |
| Local product | Only available in certain countries |

SAKDKSI 4 LD 1D 24V AC/DC

Weidmüller Interface GmbH & Co. KG
 Klingenbergstraße 26
 D-32758 Detmold
 Germany

www.weidmueller.com

Technical data

Approvals

Approvals



| | |
|-------------------------|----------------------------|
| ROHS | Conform |
| UL File Number Search | UL Website |
| Certificate No. (cURus) | E60693 |

General ordering data

| | |
|---------------|-------------------------------------|
| Local product | Only available in certain countries |
|---------------|-------------------------------------|

Dimensions and weights

| | | | |
|--------------------------|-------------|----------------|-------------|
| Depth | 62 mm | Depth (inches) | 2.4409 inch |
| Depth including DIN rail | 62 mm | Height | 74 mm |
| Height (inches) | 2.9134 inch | Width | 8.1 mm |
| Width (inches) | 0.3189 inch | Net weight | 22.86 g |

Temperatures

| | | | |
|----------------------------------|----------------|----------------------------------|----------------|
| Storage temperature | -25 °C...55 °C | Ambient temperature | -50 °C...75 °C |
| Continuous operating temp., min. | -50 °C | Continuous operating temp., max. | 120 °C |

Environmental Product Compliance

| | |
|--------------------------------------|--------------------------|
| RoHS Compliance Status | Compliant with exemption |
| RoHS Exemption (if applicable/known) | 7cl |
| REACH SVHC | No SVHC above 0.1 wt% |

Material data

| | | | |
|---------------------------|---------|--------|------|
| Basic material | PA 66/6 | Colour | grey |
| UL 94 flammability rating | V-0 | | |

System specifications

| | | | |
|-------------------------------|-------|-------------------------------------|----|
| End cover plate required | Yes | Number of potentials | 1 |
| Number of levels | 2 | Number of clamping points per level | 2 |
| Number of potentials per tier | 1 | Levels cross-connected internally | No |
| Mounting rail | TS 35 | N-function | No |
| PE function | No | PEN function | No |

Additional technical data

| | | | |
|--------------------------|----|------------------|---------|
| Explosion-tested version | No | Type of mounting | Snap-on |
|--------------------------|----|------------------|---------|

Conductors for clamping (additional connection)

| | |
|--|------------------|
| Connection type, additional connection | Screw connection |
|--|------------------|

SAKDKSI 4 LD 1D 24V AC/DC

Weidmüller Interface GmbH & Co. KG

Klingenbergstraße 26

D-32758 Detmold

Germany

www.weidmueller.com

Technical data

Conductors for clamping (rated connection)

| | | | |
|---|---------------------|---|---------------------|
| Gauge to IEC 60947-1 | A3 | Wire connection cross section AWG, max. | AWG 10 |
| Connection direction | on side | Tightening torque, max. | 0.8 Nm |
| Tightening torque, min. | 0.5 Nm | Stripping length | 8 mm |
| Type of connection 2 | Screw connection | Type of connection | Screw connection |
| Number of connections | 4 | Clamping range, max. | 6 mm ² |
| Clamping range, min. | 0.5 mm ² | Clamping screw | M 3 |
| Wire connection cross section AWG, min. | AWG 22 | Wire connection cross-section, finely stranded with wire-end ferrules DIN 46228/4, max. | 4 mm ² |
| Wire connection cross-section, finely stranded with wire-end ferrules DIN 46228/4, min. | 0.5 mm ² | Wire connection cross-section, finely stranded with wire-end ferrules DIN 46228/1, max. | 4 mm ² |
| Wire connection cross-section, finely stranded with wire-end ferrules DIN 46228/1, min. | 0.5 mm ² | Wire connection cross section, finely stranded, max. | 4 mm ² |
| Wire connection cross section, finely stranded, min. | 0.5 mm ² | Connection cross-section, stranded, max. | 4 mm ² |
| Connection cross-section, stranded, min. | 0.5 mm ² | Wire connection cross-section, solid core, max. | 4 mm ² |
| Wire connection cross-section, solid core, min. | 0.5 mm ² | Connection cross-section, finely stranded, min. | 0.5 mm ² |

General

| | | | |
|---|--------|---|--------|
| Wire connection cross section AWG, max. | AWG 10 | Wire connection cross section AWG, min. | AWG 22 |
| Mounting rail | TS 35 | | |

Rating data

| | | | |
|--|-------------------|---------------------------------|-------|
| Rated cross-section | 4 mm ² | Rated voltage | 500 V |
| Rated DC voltage | 500 V | Nominal current | 6.3 A |
| Volume resistance according to IEC 60947-7-x | 1 mΩ | Rated impulse withstand voltage | 6 kV |
| Surge voltage category | III | Pollution severity | 3 |

UL rating data

| | | | |
|--|--------|--|--------|
| Conductor size Factory wiring max. (cURus) | 10 AWG | Certificate No. (cURus) | E60693 |
| Conductor size Field wiring min. (cURus) | 20 AWG | Conductor size Factory wiring min. (cURus) | 20 AWG |
| Voltage size C (cURus) | 300 V | Current size C (cURus) | 20 A |
| Conductor size Field wiring max. (cURus) | 10 AWG | | |

Classifications

| | | | |
|-------------|-------------|-------------|-------------|
| ETIM 8.0 | EC000899 | ETIM 9.0 | EC000899 |
| ETIM 10.0 | EC000899 | ECLASS 14.0 | 27-25-01-13 |
| ECLASS 15.0 | 27-25-01-13 | | |