

## SAKDKSI 4

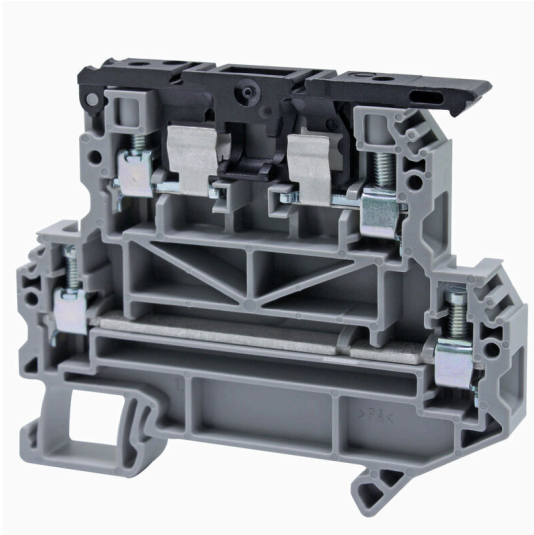
**Weidmüller Interface GmbH & Co. KG**

Klingenbergstraße 26

D-32758 Detmold

Germany

[www.weidmueller.com](http://www.weidmueller.com)



### General ordering data

Version	Fuse terminal, Screw connection, grey, 4 mm <sup>2</sup> , 6.3 A, 500 V, Number of connections: 4, Number of levels: 2, TS 35
Order No.	<a href="#">2697420000</a>
Type	SAKDKSI 4
GTIN (EAN)	4050118887815
Qty.	50 items
Local product	Only available in certain countries

## SAKDKSI 4

Weidmüller Interface GmbH &amp; Co. KG

Klingenbergstraße 26

D-32758 Detmold

Germany

www.weidmueller.com

## Technical data

## Approvals

Approvals



ROHS Conform

UL File Number Search [UL Website](#)

Certificate No. (cURus) E60693

## General ordering data

Local product Only available in certain countries

## Dimensions and weights

Depth	62 mm	Depth (inches)	2.4409 inch
Depth including DIN rail	62 mm	Height	74 mm
Height (inches)	2.9134 inch	Width	8.1 mm
Width (inches)	0.3189 inch	Net weight	22.37 g

## Temperatures

Storage temperature	-25 °C...55 °C	Ambient temperature	-50 °C...75 °C
Continuous operating temp., min.	-50 °C	Continuous operating temp., max.	120 °C

## Environmental Product Compliance

RoHS Compliance Status Compliant without exemption  
REACH SVHC No SVHC above 0.1 wt%

## Material data

Basic material PA 66/6 Colour grey  
UL 94 flammability rating V-0

## System specifications

End cover plate required	Yes	Number of potentials	2
Number of levels	2	Number of clamping points per level	2
Number of potentials per tier	1	Levels cross-connected internally	No
Mounting rail	TS 35	N-function	No
PE function	No	PEN function	No

## Additional technical data

Explosion-tested version No Type of mounting Snap-on

## Conductors for clamping (additional connection)

Connection type, additional connection Screw connection

**SAKDKSI 4**

**Weidmüller Interface GmbH & Co. KG**

Klingenbergstraße 26  
D-32758 Detmold  
Germany

www.weidmueller.com

**Technical data**

**Conductors for clamping (rated connection)**

Gauge to IEC 60947-1	A3	Wire connection cross section AWG, max.	AWG 10
Connection direction	on side	Tightening torque, max.	0.8 Nm
Tightening torque, min.	0.5 Nm	Stripping length	8 mm
Type of connection 2	Screw connection	Type of connection	Screw connection
Number of connections	4	Clamping range, max.	6 mm <sup>2</sup>
Clamping range, min.	0.5 mm <sup>2</sup>	Clamping screw	M 3
Wire connection cross section AWG, min.	AWG 22	Wire connection cross-section, finely stranded with wire-end ferrules DIN 46228/4, max.	4 mm <sup>2</sup>
Wire connection cross-section, finely stranded with wire-end ferrules DIN 46228/4, min.	0.5 mm <sup>2</sup>	Wire connection cross-section, finely stranded with wire-end ferrules DIN 46228/1, max.	4 mm <sup>2</sup>
Wire connection cross-section, finely stranded with wire-end ferrules DIN 46228/1, min.	0.5 mm <sup>2</sup>	Wire connection cross section, finely stranded, max.	4 mm <sup>2</sup>
Wire connection cross section, finely stranded, min.	0.5 mm <sup>2</sup>	Connection cross-section, stranded, max.	4 mm <sup>2</sup>
Connection cross-section, stranded, min.	0.5 mm <sup>2</sup>	Wire connection cross-section, solid core, max.	4 mm <sup>2</sup>
Wire connection cross-section, solid core, min.	0.5 mm <sup>2</sup>	Connection cross-section, finely stranded, min.	0.5 mm <sup>2</sup>

**General**

Wire connection cross section AWG, max.	AWG 10	Wire connection cross section AWG, min.	AWG 22
Mounting rail	TS 35		

**Rating data**

Rated cross-section	4 mm <sup>2</sup>	Rated voltage	500 V
Rated DC voltage	500 V	Nominal current	6.3 A
Volume resistance according to IEC 60947-7-x	1 mΩ	Rated impulse withstand voltage	6 kV
Surge voltage category	III	Pollution severity	3

**UL rating data**

Conductor size Factory wiring max. (cURus)	10 AWG	Certificate No. (cURus)	E60693
Conductor size Field wiring min. (cURus)	20 AWG	Conductor size Factory wiring min. (cURus)	20 AWG
Voltage size C (cURus)	300 V	Current size C (cURus)	20 A
Conductor size Field wiring max. (cURus)	10 AWG		

**Classifications**

ETIM 8.0	EC000899	ETIM 9.0	EC000899
ETIM 10.0	EC000899	ECLASS 14.0	27-25-01-13
ECLASS 15.0	27-25-01-13		