

**IE-C6EL8UG0200XCAU40-2X**

**Weidmüller Interface GmbH & Co. KG**  
Klingenbergstraße 26  
D-32758 Detmold  
Germany

[www.weidmueller.com](http://www.weidmueller.com)



Assembled IE cables for EtherNet/IP applications with plug-in connector, type M12 X, cat. 6A, according to IEC 61076-2-109 and RJ45 plug-in connector for 10 GBit/s applications

**General ordering data**

Version	System cable, RJ45 IP 20, M12 x-type IP67 male, angled 90°, Cat.6A / Class EA (ISO/IEC 11801 2010), PUR, 20 m
Order No.	<a href="#">2694510200</a>
Type	IE-C6EL8UG0200XCAU40-2X
GTIN (EAN)	4050118700527
Qty.	1 items

## IE-C6EL8UG0200XCAU40-2X

**Weidmüller Interface GmbH & Co. KG**  
 Klingenbergstraße 26  
 D-32758 Detmold  
 Germany

www.weidmueller.com

## Technical data

## Approvals

ROHS	Conform
------	---------

## Dimensions and weights

Length	20 m	Length (inches)	787.4016 inch
Net weight	925 g		

## Temperatures

Storage temperature	-40 °C...80 °C	Operating temperature	-40 °C...80 °C
Installation temperature	-20 °C...60 °C		

## Environmental Product Compliance

RoHS Compliance Status	Compliant with exemption
RoHS Exemption (if applicable/known)	6c
REACH SVHC	Lead 7439-92-1
SCIP	67cf1078-beca-4687-860b-dc475a6ec24a

## Cable specific standards

Standard, assembly	UL Style 20963	Impervious to smoke	According to IEC 61034
--------------------	----------------	---------------------	------------------------

## Standards

Standard, assembly	UL Style 20963	Impervious to smoke	According to IEC 61034
--------------------	----------------	---------------------	------------------------

## Cable structure

Strands	7	Sheathing colour	green (RAL 6018)
Standard designations	S/FTP, LIO2YSC11Y 4x2x0.15 PIMF FRNC GN	Cross-section	4*2*AWG 26/7 - 4*2*0.128 mm <sup>2</sup>
Shielding	S/FTP	Number of wires	8
Insulation cross-section	0.98 mm	Insulation	PE
Sheath diameter, max.	6.7 mm	Sheath diameter, min.	6.1 mm
Material sheath	PUR	Wiring	EIA/TIA T568 B
Copper diameter	0.48 µm	Wire pair shielding	Aluminium foil
Arrangement of wire cores	Twisted pair	Complete shielding	Shielding braid made from copper wiring
Wire material	Stranded tin-plated copper wire	Colour sequence or wires - wire pairs	white - blue, white - orange, white - green, white - brown
Shielding braid thickness	0.1 mm		

## Electrical properties of cable

Category	Cat.6A / Class EA (ISO/ IEC 11801 2010)	Loop resistance	290 Ω/km
Signal propagation time	5.2 ns/m	Test voltage: wire-wire-shield	700 Vrms, 50 Hz, 1 min
Transfer impedance	15 mΩ/m at 1 MHz, 10 mΩ/m at 10 MHz, 30 mΩ/m at 30 MHz	Characteristic impedance	100 ± 5 Ω at 100MHz

**IE-C6EL8UG0200XCAU40-2X**

**Weidmüller Interface GmbH & Co. KG**  
 Klingenbergstraße 26  
 D-32758 Detmold  
 Germany

www.weidmueller.com

**Technical data**

**Mechanical and material properties of cable**

Resistance to oils	in accordance with IEC 60811-2-1	Halogen	halogen-free, according to IEC 60754-1
Min. bending radius, repetitive	10 x cable diameter	Min. bending radius, once only	5 x cable diameter
Abrasion resistance	very good	Resistance to spread of flame	in accordance with IEC 60332-1-2
Impervious to smoke	According to IEC 61034		

**Plug, left**

Plug left	M12, X-coded, IP67, male contact, angled 90°, plug, Plastic, shielded
-----------	---

**Plug, right**

Plug right	RJ45, IP20, male contact, straight, plug, Plastic, shielded
------------	---

**Classifications**

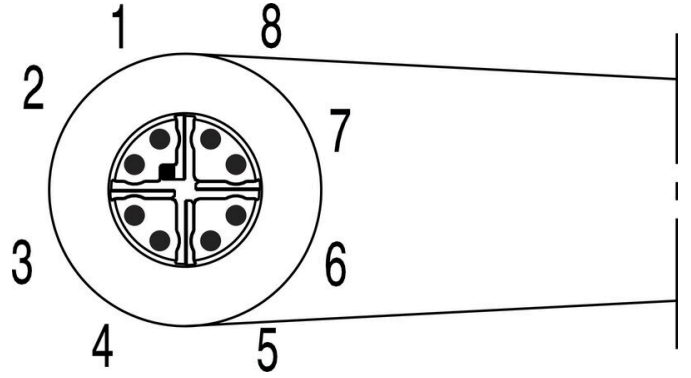
ETIM 8.0	EC002599	ETIM 9.0	EC002599
ETIM 10.0	EC002599	ECLASS 14.0	27-06-03-08
ECLASS 15.0	27-06-03-08		

Drawings

Wiring

RJ45	1	White, Orange	1	M12
	2	Orange	2	
	3	White, Green	3	
	4	Blue	3	
	5	White, Blue	8	
	6	Green	7	
	7	White, Brown	4	
	8	Brown	5	

Pinning



**Blank**



TM-I is an acknowledged and accredited marker type for traffic engineering applications. There are various different tag lengths available for individual labelling with long character strings. Easy handling of separation and installation thanks to the project marker field. Pre-attachment of sleeves and retrofitting of tags offer excellent versatility

The special contour of TM-I allows easy assembly and secures firm positioning. They are compatible with a number of commercially available sleeves. Thanks to the MultiCard format, the tags can be printed quickly and conveniently with the PrintJet CONNECT, plotter or the STI pen.

- Easy handling of separation and installation thanks to the project marker field.
- Acknowledged and accredited marker for traffic engineering applications
- Pre-attachment of sleeves and retrofitting of tags offer excellent versatility
- Not suited for labelling with P-Ink or STI pen in connection with CLI T sleeves

For custom printing: Please send us a file of our labeling software M-Print PRO or M-Print PRO Online (without installation) for your labeling specifications.

**General ordering data**

Type	TM-I 12 MC NE WS	Version
Order No.	<a href="#">1718411044</a>	TM-I, Insert markers, 12 x 4 mm, white
GTIN (EAN)	4008190348977	
Qty.	320 ST	
Type	TM-I 18 MC NE WS	Version
Order No.	<a href="#">1718431044</a>	TM-I, Insert markers, 1.5 - 22 mm, 18 x 4 mm, white
GTIN (EAN)	4008190349011	
Qty.	320 ST	