

**SAI-4-S 8P M12****Weidmüller Interface GmbH & Co. KG**

Klingenbergstraße 26

D-32758 Detmold

Germany

www.weidmueller.com

**Product image**

M12 distributors are available in various versions. The 4, 6 or 8 M12 slots are in 4 or 5 pole design. The group outlet is designed as a fixed cable version, hood version for connection by the user, or with M23. Special versions are also available. For instance, there are 1-to-1 distributors for use with any connection types, or distributors approved for Ex Zone 1.

**General ordering data**

Version	with M23 outlet, 19-pole, 30 V, A-coded, LED: Yes, LED initiator: No, Wiring type: Custom
Order No.	<a href="#">2694040000</a>
Type	SAI-4-S 8P M12
GTIN (EAN)	4050118701524
Qty.	1 items

**SAI-4-S 8P M12**

**Weidmüller Interface GmbH & Co. KG**  
 Klingenbergstraße 26  
 D-32758 Detmold  
 Germany

www.weidmueller.com

**Technical data**

**Approvals**

Approvals



ROHS Conform

**Dimensions and weights**

Net weight 154 g

**Temperatures**

Operating temperature -20 - 90°C

**Environmental Product Compliance**

RoHS Compliance Status Compliant with exemption

RoHS Exemption (if applicable/known) 6c

REACH SVHC Lead 7439-92-1

SCIP 22cbd99b-5f46-4c36-9938-bd61e241a9ab

**Connection data**

Distributor outlet with M23 outlet, 19-pole

**Electrical data**

Rated voltage, min.	10 V	Rated voltage, max.	30 V
Test voltage	1 kV	Max. current-carrying capacity per slot	1 A
Total current	10 A	Current per signal	1 A
Electrical isolation available	No		

**General technical data**

Protection degree	IP68	Plug-in station coding	A-coded
Number of poles	8	Number of contact sockets	4
Pollution severity	3	Fire behaviour	V-0
LED	Yes	LED initiator	No
LED colour for indicating operation	green		

**Material data**

Housing main material	Pocan	Material of distributor	Plastic
Housing colour	grey, RAL 7032	Hood sealing material	Viton
Screw socket	Nickel-plated CuZn	Contact material	CuZn
Contact surface	Gold-plated	Contact carrier material	PBT (UL 94 V0)

**Technical data cable**

Number of poles 8 Suitable for cable carriers No

**Classifications**

ETIM 8.0	EC003558	ETIM 9.0	EC003558
ETIM 10.0	EC003558	ECLASS 14.0	27-44-01-11

**Technical data**

---

ECLASS 15.0

27-44-01-11

---

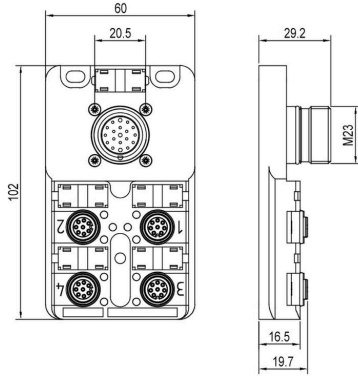
SAI-4-S 8P M12

Weidmüller Interface GmbH & Co. KG  
Klingenbergstraße 26  
D-32758 Detmold  
Germany

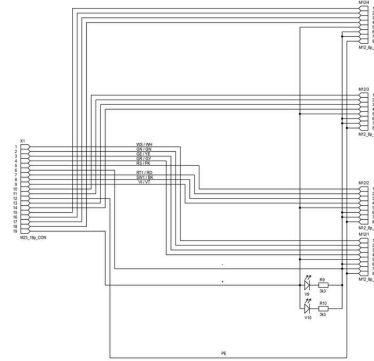
www.weidmueller.com

Drawings

Dimensioned drawing



Wiring diagram



Pole scheme

