

## PVN1M1I3SXF3V2O1TXPX10

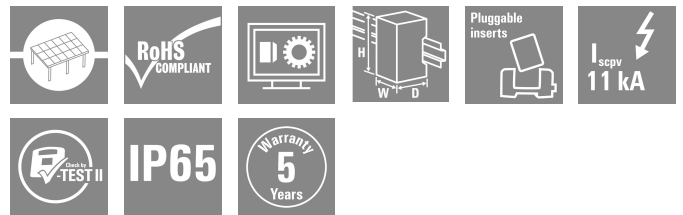
**Weidmüller Interface GmbH & Co. KG**

Klingenbergstraße 26

D-32758 Detmold

Germany

[www.weidmueller.com](http://www.weidmueller.com)



PV Next combiner boxes for inverters with 1 to 12 MPP trackers are used to protect the DC side of a photovoltaic system. The combiner boxes protect the inverter against overvoltages and thus comply with the European Directive CLC/TS 5 1643-32. In addition, these products offer the possibility to protect the system against reverse currents and the possibility to combine strings to save cables during installation.

### General ordering data

Version	Photovoltaics, Combiner Box, 1000 V, 1 MPP, 3 Inputs / 3 Outputs per MPP, With fuse holder, Surge protection II, WM4C
Order No.	<a href="#">2683270000</a>
Type	PVN1M1I3SXF3V2O1TXPX10
GTIN (EAN)	4050118700176
Qty.	1 items
Delivery status	Discontinued
Available until	2024-12-31T00:00:00+01:00
Alternative product	<a href="#">PVN DC 3IF 30 1MPP SPD1R WM4 10</a>

**PVN1M1I3SXF3V201TXPX10**

**Weidmüller Interface GmbH & Co. KG**  
 Klingenbergstraße 26  
 D-32758 Detmold  
 Germany

www.weidmueller.com

**Technical data**

**Approvals**

Approvals



**Dimensions and weights**

Depth	175 mm	Depth (inches)	6.8898 inch
Height	334 mm	Height (inches)	13.1496 inch
Width	302 mm	Width (inches)	11.8897 inch
Net weight	3144 g		

**Temperatures**

Ambient temperature	-40 °C...45 °C	Humidity	5 - 90 %, no condensation
---------------------	----------------	----------	---------------------------

**Environmental Product Compliance**

RoHS Compliance Status	Compliant
REACH SVHC	Lead 7439-92-1
SCIP	bdab5698-6a20-4370-8e28-8810d882d01a

**Approvals and norms**

Approvals	EN 61439-2, IEC 61439-2
-----------	-------------------------

**Guarantee**

Time interval	5 years
---------------	---------

**Electrical characteristics**

Rated DC voltage	1000 V
Rated short-term current resistance	Rated current 37.5 A
Current per Maximum Power Point, max. 30 A	
Rated DC current per connection	Current per string, max. 30.00 A

**Enclosure**

Cover	with cover, removeable	Insulating material	Polyester glass-fibre reinforced, Polycarbonate
Type of mounting	Wall mounting, 4 screws	Impact resistance	IK08 in accordance with IEC 62208, IK10 in accordance with IEC 62262
Enclosure attachment	Via mounting foots	Connection type string	Plug WM4C

**General data**

Protection degree	IP65	Installation location	Protected outdoor area (Land and Sea)
-------------------	------	-----------------------	---------------------------------------

**Inputs**

Fused poles of string	+/-
-----------------------	-----

## PVN1M1I3SXF3V201TXPX10

**Weidmüller Interface GmbH & Co. KG**  
 Klingenbergstraße 26  
 D-32758 Detmold  
 Germany

www.weidmueller.com

## Technical data

Fuse-link standard	IEC 60269-1, IEC 60269-6, gPV (EN 60269-6)		
Amount of maximum power points (MPP)	1		
Functional earth connector	Cable entry	Number of cable entries	2
		Cable diameter, min.	5 mm
		Cable diameter, max.	10 mm
	Wire connection	Cable gland	M 16
		Type of connection	Screw connection
		Flexible, max. H05(07) V-K	25 mm <sup>2</sup>
	w. wire end ferrule, DIN 46228 pt 1, max.	16 mm <sup>2</sup>	
Number of conduit inlets	3		
DC Input + & -	Wire connection	Type of connection	WM4C plug-in connector
		Compatible cable crossection	EN 50618:2015
		Wire cross-section, min.	2.5 mm <sup>2</sup>
		Wire cross-section, max.	6 mm <sup>2</sup>
Fuse type	Empty fuse holder		
Fuses	Yes		
Max. number of DC inputs	per Maximum Power Point 3 inputs connected in parallel		
Number of string inputs per MPP	≤ 3		
Surge protection auxiliary contact	Cable entry	Number of cable entries	2
		Cable diameter, min.	5 mm
		Cable diameter, max.	10 mm
	Wire connection	Cable gland	M 16
		Type of connection	Tension clamp connection with actuator
		Flexible, max. H05(07) V-K	1.5 mm <sup>2</sup>
	w. wire end ferrule, DIN 46228 pt 1, max.	1.5 mm <sup>2</sup>	
Number of inputs	3		

### Outputs

Max. number of DC outputs	per Maximum Power Point 3 outputs connected in parallel		
DC Output + & -	Wire connection	Type of connection	WM4C plug-in connector
		Compatible cable crossection	TÜV 2 Pfg1169/08.07
		Wire cross-section, min.	4 mm <sup>2</sup>
		Wire cross-section, max.	6 mm <sup>2</sup>

### Surge protection DC side

Discharge current, max. (8/20 μs)	40 kA	Standby power consumption PC	<0.2 W
Short-circuit current ISCPV	11000 A	Total discharge current I <sub>total</sub> (8/20μs)	50 kA
Discharge current I <sub>n</sub> (8/20 μs)	20 kA	Requirements class	Type II
Protection level U <sub>p</sub> (-/PE)	≤ 3.8 kV	Protection level U <sub>p</sub> (+/-)	≤ 3.8 kV
Protection level U <sub>p</sub> (+/PE)	≤ 3.8 kV	PV system voltage, max. U <sub>cpv</sub>	1100 V
Maximum continuous operating voltage DC UCPV mode +/-, -/PE, +/PE	1100 V		

**PVN1M1I3SXF3V201TXPX10**

**Weidmüller Interface GmbH & Co. KG**  
 Klingenbergstraße 26  
 D-32758 Detmold  
 Germany

www.weidmueller.com

**Technical data**

**DC load break switch**

Switch disconnecter execution      no switch

**Important note**

Product information      The SCIP number was assigned due to a lead content of more than 0.1 % of the net weight. Safe use instruction according to ECHA:  
 The identification of the hazardous substance is sufficient to allow safe use of the article throughout its life cycle, including the service life, disassembly and waste/recycling phase Fuses are not included

**Classifications**

ETIM 8.0	EC003857	ETIM 9.0	EC003857
ETIM 10.0	EC003857	ECLASS 14.0	22-57-02-92
ECLASS 15.0	22-57-02-92		

**Tender specification sheets**

Long specification      Combiner box for inverters with 1 MPP tracker, suitable for protecting the DC side of a photovoltaic system according to EN 51543-32. MPP1: 3 inputs, connection via WM4 C connector, compatible with cable type TÜV 2 Pfg 1169/08.07 / EN 50618:2063  
 3 outputs, connection via WM4 C connector, compatible with cable type TÜV 2 Pfg 1169/08.07 / EN 50618:2063  
 Max. string voltage Uoc: 1000V  
 1 class/type II arrester with signal contact  
 Fuse holders for inputs and outputs (fuses 10x38 to be ordered separately)  
 Connection of the signal contact via cable glands (8-12mmØ) max. conductor cross-section: 1.5mm<sup>2</sup>  
 Connection of the functional earth via cable glands (8-12mmØ)  
 Conductor cross-section: 16-25mm<sup>2</sup>  
 Protection class: IP65  
 All built into a glass fibre reinforced polyester housing. Dimensions HxWxD: 334x302x175 mm  
 Approval according to low voltage switchgear and controlgear IEC 61439-1:2011 and EN 61439-2:2011

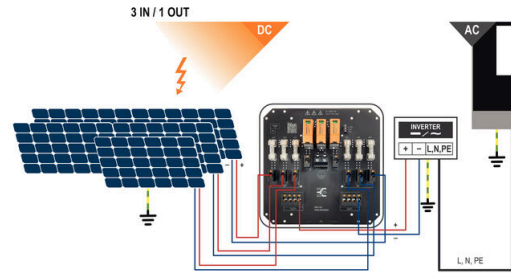
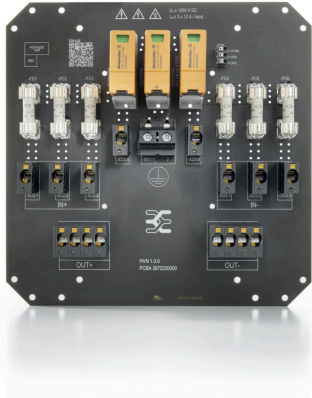
PVN1M1I3SXF3V2O1TXPX10

Weidmüller Interface GmbH & Co. KG  
 Klingenbergstraße 26  
 D-32758 Detmold  
 Germany

Drawings

www.weidmueller.com

PCB design



PVN 1 M2 I6 S0 F3 V1 O1 TX PX 10

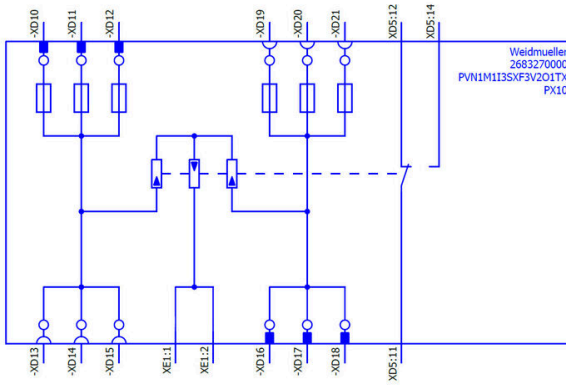
<b>Series</b> PVN = PV Next VPU = PV Protect	<b>Voltage</b> 10 = 1kV 11 = 1,1kV 15 = 1,5kV
<b>Level</b> 1 = DC trunk box (L1)	<b>Powersupply</b> x = n/a
<b>Series</b> 1 = 1 MPPT supported 2 = 2 MPPT supported 3 = 3 MPPT supported 4 = 4 MPPT supported 6 = 6 MPPT supported	<b>Monitoring</b> x = n/a
<b>Inputs</b> 1...12 inputs	<b>Output Type</b> 0 = CG 1 = WM4C 2 = MC4-Evo 2
<b>Switch</b> x = n/a 0 = manual switch 1 = remote switch	<b>SPD</b> 2/0 = TYP II 1 = TYP I+II X = No SPD
	<b>Fuses</b> x = n/a 3 = only fuse holders

PVN1M1I3SXF3V2O1TXPX10

Weidmüller Interface GmbH & Co. KG  
Klingenbergstraße 26  
D-32758 Detmold  
Germany

Drawings

www.weidmueller.com



## PVN1M1I3SXF3V201TXPX10

**Weidmüller Interface GmbH & Co. KG**  
 Klingenbergstraße 26  
 D-32758 Detmold  
 Germany

[www.weidmueller.com](http://www.weidmueller.com)

## Accessories

### Cutting tools



Cutting tools for conductors up to 8 mm, 12 mm, 14 mm and 22 mm outside diameter. The special blade geometry allows pinch-free cutting of copper and aluminium conductors with minimum physical effort. The cutting tools (KT 8 to KT 22) also come with VDE and GS-tested protective insulation up to 1,000 V in accordance with EN/IEC 60900.

### General ordering data

Type	KT 14	Version	
Order No.	<a href="#">1157820000</a>	Cutting tools, Cutting tool for one-hand operation	
GTIN (EAN)	4032248945344		
Qty.	1 ST		

### Tools



- For flexible and solid conductors with special insulating materials
- High-quality stripping for industrial applications (complies with aircraft industry requirements)
- Specially shaped blades enable stripping of special types of insulation and conductor configurations
- Stripping length adjustable via end stop
- Very versatile thanks to interchangeable stripping units
- Stripping results reproduced accurately over and over again
- No damage to the conductor
- A long-lasting, reliable tool thanks to its sturdy design
- Integrated cutting function

### General ordering data

Type	MULTI-STRIPAX PV	Version	
Order No.	<a href="#">1190490000</a>	Photovoltaics, Plug-in connector	
GTIN (EAN)	4032248973262		
Qty.	1 ST		

### Crosshead screwdriver Phillips



VDE insulated crosshead screwdriver, for Phillips screws, SDIK PH DIN 7438, ISO 8764/2-PH, output to ISO 8764-PH, SoftFinish grip

## PVN1M1I3SXF3V201TXPX10

**Weidmüller Interface GmbH & Co. KG**  
Klingenbergstraße 26  
D-32758 Detmold  
Germany

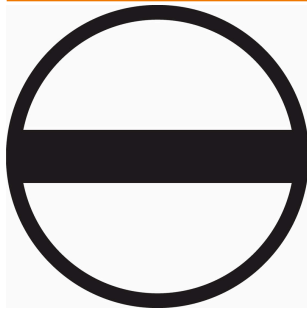
www.weidmueller.com

## Accessories

### General ordering data

Type	SDIK PH3 X 150	Version	
Order No.	<a href="#">2749910000</a>	Screwdriver, Blade width (B): 3 mm, 150 mm, Blade thickness (A): 3	
GTIN (EAN)	4050118897210		
Qty.	1 ST		

### Slotted screwdriver



VDE insulated slot-head screwdriver, SDI DIN 7437, ISO 2380/2, drive output acc. to DIN 5264, ISO 2380/1. SoftFinish grip

### General ordering data

Type	SDIS 0.6X3.5X100	Version	
Order No.	<a href="#">2749810000</a>	Screwdriver, Blade width (B): 3.5 mm, Blade length: 100 mm, Blade thickness (A): 0.6 mm	
GTIN (EAN)	4050118897012		
Qty.	1 ST		
Type	SDIS 1.0X5.5X125	Version	
Order No.	<a href="#">2749850000</a>	Screwdriver, Blade width (B): 5.5 mm, Blade length: 125 mm, Blade thickness (A): 1 mm	
GTIN (EAN)	4050118897050		
Qty.	1 ST		

### PV-Stick field connectors



Faster is better. This also applies to the cabling of solar systems. Our handy connectors stay firmly in your grip even in frosty temperatures and can be installed very quickly and easily without a crimping tool.

You don't need crimp contacts and crimping tools and you avoid assembly errors. This saves up to 50% installation time – without affecting quality. The new photovoltaic connectors are TÜV-approved and comply with IEC 62852.

Our "SNAP IN" technology enables safe connections with minimal effort – insert, turn: current!

- 1,500 V DC (DE) / 1,500 V DC (EN)
- SNAP IN technology
- Standard-compliant quality in accordance with IEC 62852
- Ergonomic, prize-winning design
- Fastest PV connector currently available
- Reliable latching

### General ordering data

Type	PV-STICK+ VPE10	Version	
Order No.	<a href="#">1303450000</a>	Photovoltaics, Plug-in connector, DC version	
GTIN (EAN)	4050118102468		
Qty.	10 ST		

## PVN1M1I3SXF3V201TXPX10

**Weidmüller Interface GmbH & Co. KG**  
 Klingenbergstraße 26  
 D-32758 Detmold  
 Germany

www.weidmueller.com

## Accessories

Type	PV-STICK- VPE10	Version	
Order No.	<a href="#">1303490000</a>	Photovoltaics, Plug-in connector, DC version	
GTIN (EAN)	4050118102529		
Qty.	10 ST		

### Accessories



The dust protection cap "Dustcap VSSO" protects the Weidmüller and type 4 solar connectors against dust and dirt.

The "SafetyClip" protects the Weidmüller solar connectors against unintentional opening and can only be released using the special multi-tool.

### General ordering data

Type	VSSO WM4 C	Version	
Order No.	<a href="#">1254870000</a>	Photovoltaics, Flat design	
GTIN (EAN)	4050118047479		
Qty.	100 ST		

### External fixing lugs



The enclosures of the TBF series are made of extremely tough glass fibre-reinforced polyester. These enclosures are ideal for applications that call for low weight coupled with high shock resistance. The weather-resistant TBF enclosures are designed for a wide range of applications. Together with their comprehensive range of accessories, they provide universal solutions for accommodating built-in items such as regulators, measuring instruments, valves and other equipment.

Features:

- 9 sizes in 2 versions, with grey and transparent lids
- Cover with nylon screws
- Fixing holes outside the sealed area
- Thread for fitting to terminal rails and mounting plates
- Comprehensive accessories
- Weidmüller can manufacture and supply this enclosure to match customer specifications, fitted with all necessary terminals and cable glands.

### General ordering data

Type	MF TBF	Version	
Order No.	<a href="#">0360800000</a>	TBF (polyester empty enclosure), Mounting foot, Fixing lugs, Height: 72.5 mm, Width: 24 mm, Depth: 12 mm, Basic material: Polyamide, Polyamide 66, Deep black	
GTIN (EAN)	4008190108595		
Qty.	1 ST		

## PVN1M1I3SXF3V201TXPX10

**Weidmüller Interface GmbH & Co. KG**  
 Klingenbergstraße 26  
 D-32758 Detmold  
 Germany

www.weidmueller.com

## Accessories

### UV-resistant cable ties



UV-resistant polyamide 6.6 ensures long durability of our special cable ties even with strong UV radiation. Ideal for continuous outdoor use.

### General ordering data

Type	CB-UVR 290/4,5 BK	Version	
Order No.	<a href="#">2659350000</a>	Cable ties, 4.5 x 290 mm, Polyamide 66, 220 N	
GTIN (EAN)	4050118682816		
Qty.	100 ST		

### 10x38 gPV

The gPV cylindrical fuse cartridges are designed to provide compact, safe and economical protection of photovoltaic modules (field protection) with voltages up to 1,500 DC. They provide protection against both overload and short circuit (gPV class according to the requirements of IEC60269-6 and UL248-19 standards). Made of a ceramic tube with high internal pressure and thermal shock resistance, allowing high switching capacity in a small space. The contacts are made of silver-plated copper and the fusible elements of pure silver to avoid ageing and thus keep the electrical characteristics invariable. They are available in the sizes 10x38 mm, 10x85 mm and 22x58 mm.

### General ordering data

Type	FUSE 10X38 10A 1000 VDC...	Version	
Order No.	<a href="#">2783230000</a>	Photovoltaics, Cartridge fuse, 1000 V, 10x38, gPV, 10 A	
GTIN (EAN)	4064675059950		
Qty.	10 ST		
Type	FUSE 10X38 12A 1000 VDC...	Version	
Order No.	<a href="#">2783240000</a>	Photovoltaics, Cartridge fuse, 1000 V, 10x38, gPV, 12 A	
GTIN (EAN)	4064675059967		
Qty.	10 ST		
Type	FUSE 10X38 15A 1000 VDC...	Version	
Order No.	<a href="#">2783250000</a>	Photovoltaics, Cartridge fuse, 1000 V, 10x38, gPV, 15 A	
GTIN (EAN)	4064675059974		
Qty.	10 ST		
Type	FUSE 10X38 16A 1000 VDC...	Version	
Order No.	<a href="#">2783260000</a>	Photovoltaics, Cartridge fuse, 1000 V, 10x38, gPV, 16 A	
GTIN (EAN)	4064675059981		
Qty.	10 ST		
Type	FUSE 10X38 1A 1000 VDC ...	Version	
Order No.	<a href="#">2783160000</a>	Photovoltaics, Cartridge fuse, 1000 V, 10x38, gPV, 1 A	
GTIN (EAN)	4064675059684		
Qty.	10 ST		

## PVN1M1I3SXF3V201TXPX10

**Weidmüller Interface GmbH & Co. KG**  
 Klingenbergstraße 26  
 D-32758 Detmold  
 Germany

www.weidmueller.com

### Accessories

Type	FUSE 10X38 20A 1000 VDC...	Version
Order No.	<a href="#">2783280000</a>	Photovoltaics, Cartridge fuse, 1000 V, 10x38, gPV, 20 A
GTIN (EAN)	4064675060000	
Qty.	10 ST	
Type	FUSE 10X38 2A 1000 VDC ...	Version
Order No.	<a href="#">2783170000</a>	Photovoltaics, Cartridge fuse, 1000 V, 10x38, gPV, 2 A
GTIN (EAN)	4064675059691	
Qty.	10 ST	
Type	FUSE 10X38 3A 1000 VDC ...	Version
Order No.	<a href="#">2783180000</a>	Photovoltaics, Cartridge fuse, 1000 V, 10x38, gPV, 3 A
GTIN (EAN)	4064675059905	
Qty.	10 ST	
Type	FUSE 10X38 4A 1000 VDC ...	Version
Order No.	<a href="#">2783190000</a>	Photovoltaics, Cartridge fuse, 1000 V, 10x38, gPV, 4 A
GTIN (EAN)	4064675059912	
Qty.	10 ST	
Type	FUSE 10X38 5A 1000 VDC ...	Version
Order No.	<a href="#">2783200000</a>	Photovoltaics, Cartridge fuse, 1000 V, 10x38, gPV, 5 A
GTIN (EAN)	4064675059929	
Qty.	10 ST	
Type	FUSE 10X38 6A 1000 VDC ...	Version
Order No.	<a href="#">2783210000</a>	Photovoltaics, Cartridge fuse, 1000 V, 10x38, gPV, 6 A
GTIN (EAN)	4064675059936	
Qty.	10 ST	
Type	FUSE 10X38 8A 1000 VDC ...	Version
Order No.	<a href="#">2783220000</a>	Photovoltaics, Cartridge fuse, 1000 V, 10x38, gPV, 8 A
GTIN (EAN)	4064675059943	
Qty.	10 ST	

### PV Sun Covers



### General ordering data

Type	PV SUN COVER 37/30/18	Version
Order No.	<a href="#">8000087024</a>	Photovoltaics
GTIN (EAN)	4064675845171	
Qty.	1 ST	

## PVN1M1I3SXF3V201TXPX10

**Weidmüller Interface GmbH & Co. KG**  
 Klingenbergstraße 26  
 D-32758 Detmold  
 Germany

[www.weidmueller.com](http://www.weidmueller.com)

## Accessories

### Y-Connector Cables



The Y cable is used for the parallel connection of several strings in a PV system, e.g. for splitting a line in front of an inverter.

The cables are available in different connection variants.

### General ordering data

Type	PVHYW-XXW+XX06W+15	Version	
Order No.	<a href="#">2814180000</a>	Photovoltaics, Y-Connector Cable, 1x WM4 C Male, 2x WM4 C	
GTIN (EAN)	4064675298861	Female, 6mm <sup>2</sup> , 1500 V	
Qty.	1 ST		
Type	PVHYW+XXW-XX06W-15	Version	
Order No.	<a href="#">2814190000</a>	Photovoltaics, Y-Connector Cable, 1x WM4 C Female, 2x WM4 C	
GTIN (EAN)	4064675298878	Male, 6mm <sup>2</sup> , 1500 V	
Qty.	1 ST		

### Spare Arrester



### General ordering data

Type	VPU PV II O 1000	Version	
Order No.	<a href="#">2530660000</a>	Surge voltage arrester, Low voltage, Accessories, Spare arrester	
GTIN (EAN)	4050118540871		
Qty.	9 ST		

## PVN1M1I3SXF3V201TXPX10

**Weidmüller Interface GmbH & Co. KG**  
 Klingenbergstraße 26  
 D-32758 Detmold  
 Germany

## Counterpart

www.weidmueller.com

### PV-Stick field connectors



Faster is better. This also applies to the cabling of solar systems. Our handy connectors stay firmly in your grip even in frosty temperatures and can be installed very quickly and easily without a crimping tool.

You don't need crimp contacts and crimping tools and you avoid assembly errors. This saves up to 50% installation time – without affecting quality. The new photovoltaic connectors are TÜV-approved and comply with IEC 62852.

Our "SNAP IN" technology enables safe connections with minimal effort – insert, turn: current!

- 1.500 V DC (DE) / 1,500 V DC (EN)
- SNAP IN technology
- Standard-compliant quality in accordance with IEC 62852
- Ergonomic, prize-winning design
- Fastest PV connector currently available
- Reliable latching

### General ordering data

Type	PV-STICK SET	Version
Order No.	<a href="#">1422030000</a>	Photovoltaics, Plug-in connector, DC version
GTIN (EAN)	4050118225723	
Qty.	1 ST	
Type	PV-STICK+ VPE10	Version
Order No.	<a href="#">1303450000</a>	Photovoltaics, Plug-in connector, DC version
GTIN (EAN)	4050118102468	
Qty.	10 ST	
Type	PV-STICK+ VPE200	Version
Order No.	<a href="#">1303470000</a>	Photovoltaics, Plug-in connector, DC version
GTIN (EAN)	4050118102543	
Qty.	200 ST	
Type	PV-STICK+ VPE50	Version
Order No.	<a href="#">1303460000</a>	Photovoltaics, Plug-in connector, DC version
GTIN (EAN)	4050118102383	
Qty.	50 ST	
Type	PV-STICK- VPE10	Version
Order No.	<a href="#">1303490000</a>	Photovoltaics, Plug-in connector, DC version
GTIN (EAN)	4050118102529	
Qty.	10 ST	
Type	PV-STICK- VPE200	Version
Order No.	<a href="#">1303510000</a>	Photovoltaics, Plug-in connector, DC version
GTIN (EAN)	4050118102390	
Qty.	200 ST	
Type	PV-STICK- VPE50	Version
Order No.	<a href="#">1303500000</a>	Photovoltaics, Plug-in connector, DC version
GTIN (EAN)	4050118102536	
Qty.	50 ST	