

PVN1M1I3SXF3V2O0TXPX10

Weidmüller Interface GmbH & Co. KG
 Klingenbergstraße 26
 D-32758 Detmold
 Germany

www.weidmueller.com



PV Next combiner boxes for inverters with 1 to 12 MPP trackers are used to protect the DC side of a photovoltaic system. The combiner boxes protect the inverter against overvoltages and thus comply with the European Directive CLC/TS 5 1643-32. In addition, these products offer the possibility to protect the system against reverse currents and the possibility to combine strings to save cables during installation.

General ordering data

Version	Photovoltaics, Combiner Box, 1000 V, 1 MPP, 3 Inputs / 3 Outputs per MPP, With fuse holder, Surge protection II, Cable gland
Order No.	2683230000
Type	PVN1M1I3SXF3V2O0TXPX10
GTIN (EAN)	4050118699975
Qty.	1 items
Delivery status	Discontinued
Available until	2024-12-31T00:00:00+01:00
Alternative product	PVN DC 3IF 30 1MPP SPD1R CG 10

PVN1M1I3SXF3V2O0TPX10

Weidmüller Interface GmbH & Co. KG
 Klingenbergstraße 26
 D-32758 Detmold
 Germany

www.weidmueller.com

Technical data

Approvals

Approvals



Dimensions and weights

Depth	175 mm	Depth (inches)	6.8898 inch
Height	330 mm	Height (inches)	12.9921 inch
Width	302 mm	Width (inches)	11.8897 inch
Net weight	3144 g		

Temperatures

Ambient temperature	-40 °C...45 °C	Humidity	5 - 90 %, no condensation
---------------------	----------------	----------	---------------------------

Environmental Product Compliance

RoHS Compliance Status	Compliant
REACH SVHC	Lead 7439-92-1
SCIP	bdab5698-6a20-4370-8e28-8810d882d01a

Approvals and norms

Approvals	EN 61439-2, IEC 61439-2
-----------	-------------------------

Guarantee

Time interval	5 years
---------------	---------

Electrical characteristics

Rated DC voltage	1000 V
Rated short-term current resistance	Rated current 56.25 A
Current per Maximum Power Point, max. 45 A	
Rated DC current per connection	Current per string, max. 45.00 A

Enclosure

Cover	with cover, removeable	Insulating material	Polyester glass-fibre reinforced, Polycarbonate
Type of mounting	Wall mounting, 4 screws	Impact resistance	IK08 in accordance with IEC 62208, IK10 in accordance with IEC 62262
Enclosure attachment	Via mounting foots	Connection type string	Internal terminal (with cable gland feed-through)

General data

Protection degree	IP65	Installation location	Protected outdoor area (Land and Sea)
-------------------	------	-----------------------	---------------------------------------

Inputs

Fused poles of string	+/-
-----------------------	-----

PVN1M1I3SXF3V2O0TXXP10

Weidmüller Interface GmbH & Co. KG
 Klingenbergstraße 26
 D-32758 Detmold
 Germany

www.weidmueller.com

Technical data

Fuse-link standard	IEC 60269-1, IEC 60269-6, gPV (EN 60269-6)		
Amount of maximum power points (MPP)	1		
Functional earth connector	Cable entry	Number of cable entries	2
		Cable diameter, min.	5 mm
		Cable diameter, max.	10 mm
	Wire connection	Cable gland	M 16
		Type of connection	Screw connection
		Flexible, max. H05(07) V-K	25 mm ²
	w. wire end ferrule, DIN 46228 pt 1, max.	16 mm ²	
Number of conduit inlets	2		
DC Input + & -	Wire connection	Type of connection	PUSH IN
		Compatible cable crosssection	EN 50618:2015
		Wire cross-section, min.	2.5 mm ²
		Wire cross-section, max.	16 mm ²
Fuse type	Empty fuse holder		
Fuses	Yes		
Max. number of DC inputs	per Maximum Power Point 3 inputs connected in parallel		
Number of string inputs per MPP	≤ 3		
Surge protection auxiliary contact	Cable entry	Number of cable entries	2
		Cable diameter, min.	5 mm
		Cable diameter, max.	10 mm
	Wire connection	Cable gland	M 16
		Type of connection	Tension clamp connection with actuator
		Flexible, max. H05(07) V-K	1.5 mm ²
	w. wire end ferrule, DIN 46228 pt 1, max.	1.5 mm ²	
Number of inputs	3		

Outputs

Max. number of DC outputs	per Maximum Power Point 3 outputs connected in parallel		
DC Output + & -	Wire connection	Type of connection	PUSH IN
		Compatible cable crosssection	TÜV 2 Pfg1169/08.07
		Wire cross-section, min.	2.5 mm ²
		Wire cross-section, max.	16 mm ²

Surge protection DC side

Discharge current, max. (8/20 μs)	40 kA	Standby power consumption PC	<0.2 W
Short-circuit current I _{SCP}	11000 A	Total discharge current I _{total} (8/20μs)	50 kA
Discharge current I _n (8/20 μs)	20 kA	Requirements class	Type II
Protection level U _p (-/PE)	≤ 3.8 kV	Protection level U _p (+/-)	≤ 3.8 kV
Protection level U _p (+/PE)	≤ 3.8 kV	PV system voltage, max. U _{cpv}	1100 V
Maximum continuous operating voltage DC UCPV mode +/-, -/PE, +/PE	1100 V		

PVN1M1I3SXF3V2O0TPX10

Weidmüller Interface GmbH & Co. KG
 Klingenbergstraße 26
 D-32758 Detmold
 Germany

www.weidmueller.com

Technical data

DC load break switch

Switch disconnecter execution no switch

Important note

Product information The SCIP number was assigned due to a lead content of more than 0.1 % of the net weight. Safe use instruction according to ECHA:
 The identification of the hazardous substance is sufficient to allow safe use of the article throughout its life cycle, including the service life, disassembly and waste/recycling phase Fuses are not included

Classifications

ETIM 8.0	EC003857	ETIM 9.0	EC003857
ETIM 10.0	EC003857	ECLASS 14.0	22-57-02-92
ECLASS 15.0	22-57-02-92		

Tender specification sheets

Long specification Combiner box for inverters with 1 MPP tracker, suitable for protecting the DC side of a photovoltaic system according to EN 51543-32. MPP1: 3 inputs, connection via M25 cable gland with 3x7mm Ø cable entry. PUSH IN connection / 2.5 - 6mm² single-wire, multi-wire, with/without ferrule. 3 outputs, connection via M25 cable gland with 3x7mm Ø cable entry. PUSH IN connection / 2.5 - 6mm² single-wire, multi-wire, with/without ferrule. Max. string voltage Uoc: 1000V
 1 class/type II arrester with signal contact
 Fuse holders for inputs and outputs (fuses 10x38 to be ordered separately)
 Connection of the signal contact via cable glands (8-12mmØ) max. conductor cross-section: 1.5mm²
 Connection of the functional earth via cable glands (8-12mmØ) Conductor cross-section: 16-25mm²
 Protection class: IP65
 All built into a glass fibre reinforced polyester housing. Dimensions HxWxD: 330x302x175 mm
 Approval according to low voltage switchgear and controlgear IEC

PVN1M1I3SXF3V2O0TXPX10

Weidmüller Interface GmbH & Co. KG
Klingenbergstraße 26
D-32758 Detmold
Germany

www.weidmueller.com

Technical data

61439-1:2011 and EN
61439-2:2011

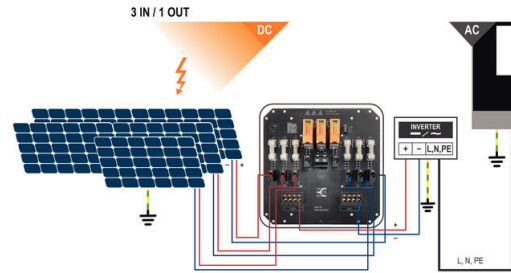
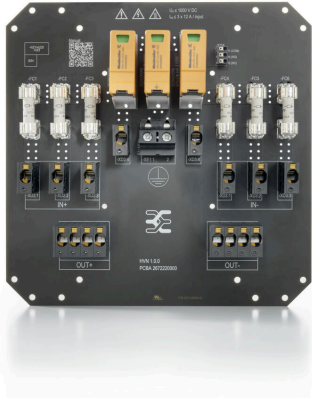
PVN1M1I3SXF3V2O0TXPX10

Weidmüller Interface GmbH & Co. KG
 Klingenbergstraße 26
 D-32758 Detmold
 Germany

Drawings

www.weidmueller.com

PCB design



PVN 1 M2 I6 S0 F3 V1 Q1 TX PX 10

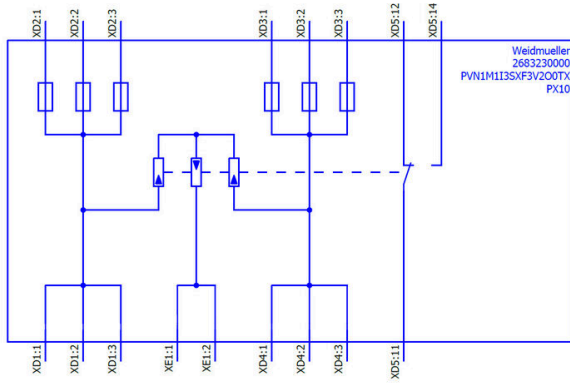
Series PVN = PV Next VPU = PV Protect	Voltage 10 = 1kV 11 = 1,1kV 15 = 1,5kV
Level 1 = DC trunk box (L1)	Powersupply x = n/a
Series 1 = 1 MPPT supported 2 = 2 MPPT supported 3 = 3 MPPT supported 4 = 4 MPPT supported 6 = 6 MPPT supported	Monitoring x = n/a
Inputs 1...12 inputs	Output Type 0 = CG 1 = WM4C 2 = MC4-Evo 2
Switch x = n/a 0 = manual switch 1 = remote switch	SPD 2/0 = TYP II 1 = TYP I+II X = No SPD
	Fuses x = n/a 3 = only fuse holders

PVN1M1I3SXF3V2O0TXPX10

Weidmüller Interface GmbH & Co. KG
Klingenbergstraße 26
D-32758 Detmold
Germany

Drawings

www.weidmueller.com



PVN1M1I3SXF3V2O0TXXP10

Weidmüller Interface GmbH & Co. KG
 Klingenbergstraße 26
 D-32758 Detmold
 Germany

www.weidmueller.com

Accessories

Cutting tools



Cutting tools for conductors up to 8 mm, 12 mm, 14 mm and 22 mm outside diameter. The special blade geometry allows pinch-free cutting of copper and aluminium conductors with minimum physical effort. The cutting tools (KT 8 to KT 22) also come with VDE and GS-tested protective insulation up to 1,000 V in accordance with EN/IEC 60900.

General ordering data

Type	KT 14	Version	
Order No.	1157820000	Cutting tools, Cutting tool for one-hand operation	
GTIN (EAN)	4032248945344		
Qty.	1 ST		

Tools



- For flexible and solid conductors with special insulating materials
- High-quality stripping for industrial applications (complies with aircraft industry requirements)
- Specially shaped blades enable stripping of special types of insulation and conductor configurations
- Stripping length adjustable via end stop
- Very versatile thanks to interchangeable stripping units
- Stripping results reproduced accurately over and over again
- No damage to the conductor
- A long-lasting, reliable tool thanks to its sturdy design
- Integrated cutting function

General ordering data

Type	MULTI-STRIPAX PV	Version	
Order No.	1190490000	Photovoltaics, Plug-in connector	
GTIN (EAN)	4032248973262		
Qty.	1 ST		

Crosshead screwdriver Phillips



VDE insulated crosshead screwdriver, for Phillips screws, SDIK PH DIN 7438, ISO 8764/2-PH, output to ISO 8764-PH, SoftFinish grip

PVN1M1I3SXF3V2O0TXPX10

Weidmüller Interface GmbH & Co. KG
Klingenbergstraße 26
D-32758 Detmold
Germany

www.weidmueller.com

Accessories

General ordering data

Type	SDIK PH3 X 150	Version	
Order No.	2749910000	Screwdriver, Blade width (B): 3 mm, 150 mm, Blade thickness (A): 3	
GTIN (EAN)	4050118897210		
Qty.	1 ST		

Slotted screwdriver



VDE insulated slot-head screwdriver, SDI DIN 7437, ISO 2380/2, drive output acc. to DIN 5264, ISO 2380/1. SoftFinish grip

General ordering data

Type	SDIS 0.6X3.5X100	Version	
Order No.	2749810000	Screwdriver, Blade width (B): 3.5 mm, Blade length: 100 mm, Blade thickness (A): 0.6 mm	
GTIN (EAN)	4050118897012		
Qty.	1 ST		
Type	SDIS 1.0X5.5X125	Version	
Order No.	2749850000	Screwdriver, Blade width (B): 5.5 mm, Blade length: 125 mm, Blade thickness (A): 1 mm	
GTIN (EAN)	4050118897050		
Qty.	1 ST		

External fixing lugs



The enclosures of the TBF series are made of extremely tough glass fibre-reinforced polyester. These enclosures are ideal for applications that call for low weight coupled with high shock resistance. The weather-resistant TBF enclosures are designed for a wide range of applications. Together with their comprehensive range of accessories, they provide universal solutions for accommodating built-in items such as regulators, measuring instruments, valves and other equipment.

Features:

- 9 sizes in 2 versions, with grey and transparent lids
- Cover with nylon screws
- Fixing holes outside the sealed area
- Thread for fitting to terminal rails and mounting plates
- Comprehensive accessories
- Weidmüller can manufacture and supply this enclosure to match customer specifications, fitted with all necessary terminals and cable glands.

General ordering data

Type	MF TBF	Version	
Order No.	0360800000	TBF (polyester empty enclosure), Mounting foot, Fixing lugs, Height: 72.5 mm, Width: 24 mm, Depth: 12 mm, Basic material: Polyamide, Polyamide 66, Deep black	
GTIN (EAN)	4008190108595		
Qty.	1 ST		

PVN1M1I3SXF3V2O0TXPX10

Weidmüller Interface GmbH & Co. KG
 Klingenbergstraße 26
 D-32758 Detmold
 Germany

www.weidmueller.com

Accessories

Sealing sets



General ordering data

Type	SL SET PV NEXT	Version	
Order No.	2729230000	Photovoltaics	
GTIN (EAN)	4050118804508		
Qty.	1 ST		

UV-resistant cable ties



UV-resistant polyamide 6.6 ensures long durability of our special cable ties even with strong UV radiation. Ideal for continuous outdoor use.

General ordering data

Type	CB-UVR 290/4,5 BK	Version	
Order No.	2659350000	Cable ties, 4.5 x 290 mm, Polyamide 66, 220 N	
GTIN (EAN)	4050118682816		
Qty.	100 ST		

10x38 gPV

The gPV cylindrical fuse cartridges are designed to provide compact, safe and economical protection of photovoltaic modules (field protection) with voltages up to 1,500 DC. They provide protection against both overload and short circuit (gPV class according to the requirements of IEC60269-6 and UL248-19 standards). Made of a ceramic tube with high internal pressure and thermal shock resistance, allowing high switching capacity in a small space. The contacts are made of silver-plated copper and the fusible elements of pure silver to avoid ageing and thus keep the electrical characteristics invariable. They are available in the sizes 10x38 mm, 10x85 mm and 22x58 mm.

PVN1M1I3SXF3V2O0TTPX10

Weidmüller Interface GmbH & Co. KG
 Klingenbergstraße 26
 D-32758 Detmold
 Germany

Accessories

www.weidmueller.com

General ordering data

Type	FUSE 10X38 10A 1000 VDC...	Version
Order No.	2783230000	Photovoltaics, Cartridge fuse, 1000 V, 10x38, gPV, 10 A
GTIN (EAN)	4064675059950	
Qty.	10 ST	
Type	FUSE 10X38 12A 1000 VDC...	Version
Order No.	2783240000	Photovoltaics, Cartridge fuse, 1000 V, 10x38, gPV, 12 A
GTIN (EAN)	4064675059967	
Qty.	10 ST	
Type	FUSE 10X38 15A 1000 VDC...	Version
Order No.	2783250000	Photovoltaics, Cartridge fuse, 1000 V, 10x38, gPV, 15 A
GTIN (EAN)	4064675059974	
Qty.	10 ST	
Type	FUSE 10X38 16A 1000 VDC...	Version
Order No.	2783260000	Photovoltaics, Cartridge fuse, 1000 V, 10x38, gPV, 16 A
GTIN (EAN)	4064675059981	
Qty.	10 ST	
Type	FUSE 10X38 1A 1000 VDC ...	Version
Order No.	2783160000	Photovoltaics, Cartridge fuse, 1000 V, 10x38, gPV, 1 A
GTIN (EAN)	4064675059684	
Qty.	10 ST	
Type	FUSE 10X38 20A 1000 VDC...	Version
Order No.	2783280000	Photovoltaics, Cartridge fuse, 1000 V, 10x38, gPV, 20 A
GTIN (EAN)	4064675060000	
Qty.	10 ST	
Type	FUSE 10X38 2A 1000 VDC ...	Version
Order No.	2783170000	Photovoltaics, Cartridge fuse, 1000 V, 10x38, gPV, 2 A
GTIN (EAN)	4064675059691	
Qty.	10 ST	
Type	FUSE 10X38 3A 1000 VDC ...	Version
Order No.	2783180000	Photovoltaics, Cartridge fuse, 1000 V, 10x38, gPV, 3 A
GTIN (EAN)	4064675059905	
Qty.	10 ST	
Type	FUSE 10X38 4A 1000 VDC ...	Version
Order No.	2783190000	Photovoltaics, Cartridge fuse, 1000 V, 10x38, gPV, 4 A
GTIN (EAN)	4064675059912	
Qty.	10 ST	
Type	FUSE 10X38 5A 1000 VDC ...	Version
Order No.	2783200000	Photovoltaics, Cartridge fuse, 1000 V, 10x38, gPV, 5 A
GTIN (EAN)	4064675059929	
Qty.	10 ST	
Type	FUSE 10X38 6A 1000 VDC ...	Version
Order No.	2783210000	Photovoltaics, Cartridge fuse, 1000 V, 10x38, gPV, 6 A
GTIN (EAN)	4064675059936	
Qty.	10 ST	
Type	FUSE 10X38 8A 1000 VDC ...	Version
Order No.	2783220000	Photovoltaics, Cartridge fuse, 1000 V, 10x38, gPV, 8 A
GTIN (EAN)	4064675059943	
Qty.	10 ST	

PVN1M1I3SXF3V2O0TPX10

Weidmüller Interface GmbH & Co. KG
 Klingenbergstraße 26
 D-32758 Detmold
 Germany

www.weidmueller.com

Accessories

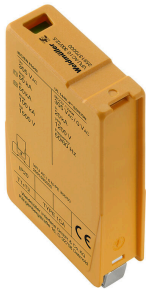
PV Sun Covers



General ordering data

Type	PV SUN COVER 37/30/18	Version	
Order No.	8000087024	Photovoltaics	
GTIN (EAN)	4064675845171		
Qty.	1 ST		

Spare Arrester



General ordering data

Type	VPU PV II O 1000	Version	
Order No.	2530660000	Surge voltage arrester, Low voltage, Accessories, Spare arrester	
GTIN (EAN)	4050118540871		
Qty.	9 ST		