

CMA-31-125-5A-2,5VA-0,5

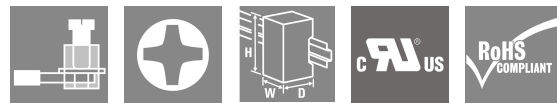
Weidmüller Interface GmbH & Co. KG

Klingenbergstraße 26

D-32758 Detmold

Germany

www.weidmueller.com



Plug-on current transformers

Plug-on current transformers are used wherever high currents of up to 5000A need to be measured and processed. Our plug-on current transformers supply secondary currents of 1A or 5A. Weidmüller also offers compact low-power current transformers to convert currents of up to 600 A to voltages of up to 333 mV.

General ordering data

Version	Primary current: 125 A, Secondary current max.: 5 A, Load: 2.5 VA, Tolerance class: 0,5, closed current transformer
Order No.	2680200000
Type	CMA-31-125-5A-2,5VA-0,5
GTIN (EAN)	4050118696578
Qty.	1 items
Manufacturer	MBS AG

Technical data

Approvals

ROHS Conform

Dimensions and weights

Net weight 290 g

Temperatures

Storage temperature Operating temperature

Environmental Product Compliance

RoHS Compliance Status Compliant
 REACH SVHC No SVHC above 0.1 wt%

Dimensions of live conductors

Type of conductor	Insulated conductor only	Round conductor	25.70 mm
Rail	30 x 10 mm, 25 x 12 mm, 20 x 20 mm	Installation location	Indoor use

Electrical attributes

Tolerance class	0,5	Secondary current	0...5 A
Load	2.5 VA	Primary current	125 A

Technical properties

Insulation class	E	Thermal rated continuous current I _{thermal}	1.2 x I _{rated}
Nominal frequency	50 Hz		

Insulation coordination

Standard	IEC 61869-1: 2007, IEC 61869-2: 2012	Tolerance class	0,5
----------	--------------------------------------	-----------------	-----

Classifications

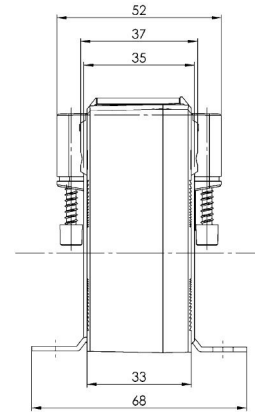
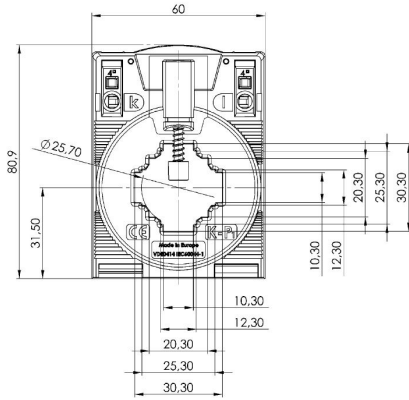
ETIM 8.0	EC002048	ETIM 9.0	EC002048
ETIM 10.0	EC002048	ECLASS 14.0	27-21-09-02
ECLASS 15.0	27-21-09-02		

CMA-31-125-5A-2,5VA-0,5

Weidmüller Interface GmbH & Co. KG
Klingenbergstraße 26
D-32758 Detmold
Germany

Drawings

www.weidmueller.com



CMA-31-125-5A-2,5VA-0,5

Weidmüller Interface GmbH & Co. KG
Klingenbergstraße 26
D-32758 Detmold
Germany

Accessories

www.weidmueller.com

Plug-on current transformer - ValueLine



Plug-on current transformers

Plug-on current transformers are used wherever high currents of up to 5000A need to be measured and processed. Our plug-on current transformers supply secondary currents of 1A or 5A. Weidmüller also offers compact low-power current transformers to convert currents of up to 600 A to voltages of up to 333 mV.

General ordering data

Type	CMA-31-41-SNAP-ON	Version	
Order No.	2723380000		
GTIN (EAN)	4050118810622		
Qty.	1 ST		