

APGTB 2.5 PE 2C/1 DL

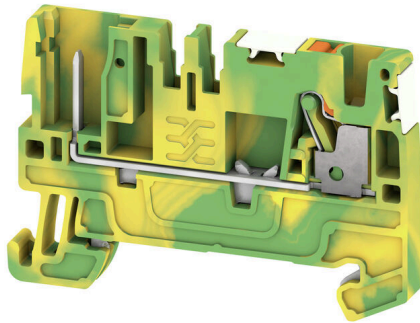
Weidmüller Interface GmbH & Co. KG

Klingenbergstraße 26

D-32758 Detmold

Germany

www.weidmueller.com



Some applications demand for a pluggable, modular solution to be more flexible or to facilitate the installation. Where complete functional units have to be prefabricated or replaced, modular and flexible connection systems are required. Our pluggable terminal blocks can be quickly assembled and are completely factory tested.

General ordering data

Version	Plug-in modular terminals, PUSH IN, 2.5 mm ² , 800 V, Green/yellow
Order No.	2675840000
Type	APGTB 2.5 PE 2C/1 DL
GTIN (EAN)	4050118817645
Qty.	50 items

APGTB 2.5 PE 2C/1 DL

Weidmüller Interface GmbH & Co. KG
 Klingenbergstraße 26
 D-32758 Detmold
 Germany

www.weidmueller.com

Technical data

Approvals

Approvals



ROHS Conform

Dimensions and weights

Depth	36.5 mm	Depth (inches)	1.437 inch
Depth including DIN rail	37 mm	Height	36.5 mm
Height (inches)	1.437 inch	Width	5.1 mm
Width (inches)	0.2008 inch	Net weight	8.06 g

Temperatures

Storage temperature	-25 °C...55 °C	Ambient temperature	-5 °C...40 °C
Continuous operating temp., min.	-60 °C	Continuous operating temp., max.	130 °C

Environmental Product Compliance

RoHS Compliance Status	Compliant without exemption
REACH SVHC	No SVHC above 0.1 wt%

Material data

Basic material	Wemid	Colour	Green/yellow
UL 94 flammability rating	V-0		

Rating data IECEX/ATEX

Certificate No. (ATEX)	TUEV16ATEX7940U	Certificate No. (IECEX)	IECEXTUR16.0046U
Wire cross section max. (ATEX)	1.5 mm ²	Wire cross section max. (IECEX)	1.5 mm ²

System specifications

End cover plate required	Yes	Number of potentials	1
Number of levels	1	Number of clamping points per level	2
Number of potentials per tier	1	Levels cross-connected internally	No
PE connection	Yes	Mounting rail	TS 35

Additional technical data

Open sides	right	Explosion-tested version	Yes
Type of mounting	TS 35		

Conductors for clamping (additional connection)

Connection type, additional connection pluggable

Conductors for clamping (rated connection)

Gauge to IEC 60947-1	A3
Wire connection cross section AWG, max.	AWG 12
Connection direction	top

APGTB 2.5 PE 2C/1 DL

Weidmüller Interface GmbH & Co. KG

Klingenbergstraße 26

D-32758 Detmold

Germany

www.weidmueller.com

Technical data

Stripping length	10 mm			
Type of connection	PUSH IN			
Number of connections	2			
Clamping range, max.	4 mm ²			
Clamping range, min.	0.14 mm ²			
Blade size	0.6 x 3.5 mm			
Wire connection cross section AWG, min.	AWG 28			
Wire connection cross-section, finely stranded with wire-end ferrules DIN 46228/4, max.	2.5 mm ²			
Wire connection cross-section, finely stranded with wire-end ferrules DIN 46228/4, min.	0.14 mm ²			
Wire connection cross-section, finely stranded with wire-end ferrules DIN 46228/1, max.	4 mm ²			
Wire connection cross-section, finely stranded with wire-end ferrules DIN 46228/1, min.	0.14 mm ²			
Wire connection cross section, finely stranded, max.	4 mm ²			
Wire connection cross section, finely stranded, min.	0.14 mm ²			
Connection cross-section, stranded, max.	4 mm ²			
Connection cross-section, stranded, min.	0.14 mm ²			
Twin wire-end ferrules, max.	0.75 mm ²			
Twin wire-end ferrules, min.	0.5 mm ²			
Wire connection cross-section, solid core, max.	2.5 mm ²			
Wire connection cross-section, solid core, min.	0.14 mm ²			
Tube length for wire-end ferrule with plastic collar DIN 46228/4	Tube length	min.	8 mm	
		max.	6 mm	
	Cross-section for conductor connection	min.	0.34 mm ²	
		max.	0.14 mm ²	
	Tube length	min.	12 mm	
		max.	6 mm	
Cross-section for conductor connection	min.	1 mm ²		
	max.	0.5 mm ²		
Tube length for twin wire-end ferrule	Tube length	min.	8 mm	
		max.	12 mm	
	Cross-section for conductor connection	min.	0.5 mm ²	
		max.	0.75 mm ²	
	Tube length for wire-end ferrule without plastic collar DIN 46228/1	Tube length	nominal	5 mm
		Cross-section for conductor connection	nominal	0.25 mm ²
Tube length		min.	6 mm	
		max.	10 mm	
Cross-section for conductor connection		min.	0.5 mm ²	
		max.	1 mm ²	
Tube length	min.	7 mm		
	max.	12 mm		
Cross-section for conductor connection	min.	1.5 mm ²		
	max.	4 mm ²		

APGTB 2.5 PE 2C/1 DL

Weidmüller Interface GmbH & Co. KG
 Klingenbergstraße 26
 D-32758 Detmold
 Germany

www.weidmueller.com

Technical data

General

Wire connection cross section AWG, max.	AWG 12	Wire connection cross section AWG, min.	AWG 28
Mounting rail	TS 35		

Rating data

Rated cross-section	2.5 mm ²	Rated voltage	800 V
Rated DC voltage	800 V	Current at maximum wires	24 A
Volume resistance according to IEC 60947-7-x	1.33 mΩ	Rated impulse withstand voltage	8 kV
Power loss in accordance with IEC 60947-7-x	0.77 W		

Classifications

ETIM 8.0	EC000897	ETIM 9.0	EC000897
ETIM 10.0	EC000897	ECLASS 14.0	27-25-01-17
ECLASS 15.0	27-25-01-17		

Drawings

