

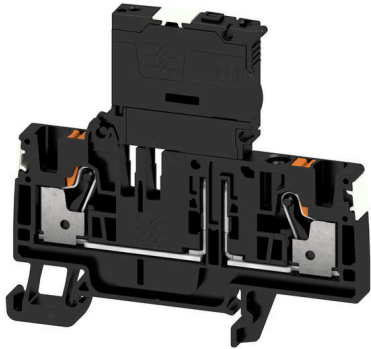
AFS 4 2C 60-150V DL BK**Weidmüller Interface GmbH & Co. KG**

Klingenbergstraße 26

D-32758 Detmold

Germany

www.weidmueller.com



Fuse terminal blocks and component terminal blocks allow protective and functional elements to be integrated directly into the terminal strip. Fuse terminal blocks include built-in fuse holders to reliably protect electrical circuits against overload –ideal for control and distribution systems. Component terminal blocks make it possible to incorporate electronic components such as diodes, resistors, or LEDs directly into the wiring. This enables space-saving and clearly arranged implementation of switching functions and signal separation. Both types of terminal blocks ensure higher safety, easy maintenance, and a compact, function-oriented installation.

General ordering data

| | |
|------------|---|
| Version | Fuse terminal, PUSH IN, 4 mm ² , 150 V, 6.3 A, black |
| Order No. | 2675280000 |
| Type | AFS 4 2C 60-150V DL BK |
| GTIN (EAN) | 4050118733464 |
| Qty. | 50 items |

AFS 4 2C 60-150V DL BK

Weidmüller Interface GmbH & Co. KG
Klingenbergstraße 26
D-32758 Detmold
Germany

www.weidmueller.com

Technical data

Approvals

Approvals



ROHS Conform

Dimensions and weights

| | | | |
|--------------------------|-------------|----------------|-------------|
| Depth | 68 mm | Depth (inches) | 2.6772 inch |
| Depth including DIN rail | 69 mm | Height | 74 mm |
| Height (inches) | 2.9134 inch | Width | 6.1 mm |
| Width (inches) | 0.2402 inch | Net weight | 18.84 g |

Temperatures

| | | | |
|----------------------------------|----------------|----------------------------------|---------------|
| Storage temperature | -25 °C...55 °C | Ambient temperature | -5 °C...40 °C |
| Continuous operating temp., min. | -60 °C | Continuous operating temp., max. | 130 °C |

Environmental Product Compliance

| | |
|------------------------|-----------------------------|
| RoHS Compliance Status | Compliant without exemption |
| REACH SVHC | No SVHC above 0.1 wt% |

Material data

| | | | |
|---------------------------|-------|--------|-------|
| Basic material | Wemid | Colour | black |
| UL 94 flammability rating | V-0 | | |

Rating data IECEX/ATEX

| | | | |
|------------------------|-----------------|---------------------------------|-------------------|
| Certificate No. (ATEX) | TUEV17ATEX8064U | Certificate No. (IECEX) | IECEXTUR17.0030U |
| Current (ATEX) | 6.3 A | Wire cross section max. (ATEX) | 4 mm ² |
| Current (IECEX) | 6.3 A | Wire cross section max. (IECEX) | 4 mm ² |

System specifications

| | | | |
|-----------------------------------|-----|-------------------------------|-------|
| End cover plate required | Yes | Number of potentials | 1 |
| Number of levels | 1 | Number of potentials per tier | 1 |
| Levels cross-connected internally | Yes | Mounting rail | TS 35 |
| N-function | No | PE function | No |
| PEN function | No | | |

Additional technical data

| | | | |
|------------|-------|------------------|-------|
| Open sides | right | Type of mounting | TS 35 |
|------------|-------|------------------|-------|

Conductors for clamping (additional connection)

Connection type, additional connection PUSH IN

Conductors for clamping (rated connection)

| | |
|---|--------|
| Gauge to IEC 60947-1 | A4 |
| Wire connection cross section AWG, max. | AWG 12 |

AFS 4 2C 60-150V DL BK

Weidmüller Interface GmbH & Co. KG
 Klingenbergstraße 26
 D-32758 Detmold
 Germany

www.weidmueller.com

Technical data

| | | | |
|---|--|---------------------|---------------------|
| Connection direction | top | | |
| Stripping length | 12 mm | | |
| Type of connection 2 | PUSH IN | | |
| Type of connection | PUSH IN | | |
| Number of connections | 2 | | |
| Clamping range, max. | 6 mm ² | | |
| Clamping range, min. | 0.14 mm ² | | |
| Blade size | 0.6 x 3.5 mm | | |
| Wire connection cross section AWG, min. | AWG 26 | | |
| Wire connection cross-section, finely stranded with wire-end ferrules DIN 46228/4, max. | 4 mm ² | | |
| Wire connection cross-section, finely stranded with wire-end ferrules DIN 46228/4, min. | 0.14 mm ² | | |
| Wire connection cross-section, finely stranded with wire-end ferrules DIN 46228/1, max. | 6 mm ² | | |
| Wire connection cross-section, finely stranded with wire-end ferrules DIN 46228/1, min. | 0.14 mm ² | | |
| Wire connection cross section, finely stranded, max. | 6 mm ² | | |
| Wire connection cross section, finely stranded, min. | 0.14 mm ² | | |
| Connection cross-section, stranded, max. | 6 mm ² | | |
| Connection cross-section, stranded, min. | 0.14 mm ² | | |
| Twin wire-end ferrules, max. | 1.5 mm ² | | |
| Twin wire-end ferrules, min. | 0.5 mm ² | | |
| Wire connection cross-section, solid core, max. | 4 mm ² | | |
| Wire connection cross-section, solid core, min. | 0.14 mm ² | | |
| Connection cross-section, finely stranded, min. | 0.14 mm ² | | |
| Tube length for wire-end ferrule with plastic collar DIN 46228/4 | Tube length | min. | 6 mm |
| | | max. | 12 mm |
| | Cross-section for conductor connection | min. | 0.5 mm ² |
| | | max. | 1 mm ² |
| | Tube length | min. | 8 mm |
| | | max. | 12 mm |
| | Cross-section for conductor connection | min. | 1.5 mm ² |
| | | max. | 2.5 mm ² |
| | Tube length | min. | 10 mm |
| | | max. | 12 mm |
| | Cross-section for conductor connection | nominal | 4 mm ² |
| | | | |
| Tube length for twin wire-end ferrule | Tube length | min. | 8 mm |
| | | max. | 12 mm |
| | Cross-section for conductor connection | min. | 0.5 mm ² |
| | | max. | 1.5 mm ² |
| Tube length for wire-end ferrule without plastic collar DIN 46228/1 | Tube length | min. | 6 mm |
| | | max. | 10 mm |
| | Cross-section for conductor connection | min. | 0.5 mm ² |
| | | max. | 1 mm ² |
| | Tube length | min. | 7 mm |
| | | max. | 12 mm |
| Cross-section for conductor connection | min. | 1.5 mm ² | |
| | max. | 2.5 mm ² | |

AFS 4 2C 60-150V DL BK

Weidmüller Interface GmbH & Co. KG
 Klingenbergstraße 26
 D-32758 Detmold
 Germany

www.weidmueller.com

Technical data

| | | |
|--|------|-------------------|
| Tube length | min. | 9 mm |
| | max. | 15 mm |
| Cross-section for conductor connection | min. | 4 mm ² |
| | max. | 6 mm ² |

Fuse terminals

| | | | |
|-------------------------------|--------------|--------------------------------|----------|
| Cartridge fuse | G-Si. 5 x 20 | Fuse holder (cartridge holder) | Pivoting |
| Type of voltage for indicator | AC/DC | Leakage current, max. | 0.5 mA |

General

| | | | |
|---|------------------|---|--------|
| Wire connection cross section AWG, max. | AWG 12 | Wire connection cross section AWG, min. | AWG 26 |
| Standards | DIN EN 60947-7-3 | Mounting rail | TS 35 |

Rating data

| | | | |
|--|-------------------|---------------------------------|------------------|
| Rated cross-section | 4 mm ² | Rated voltage | 150 V |
| Rated DC voltage | 150 V | Nominal current | 6.3 A |
| Current at maximum wires | 6.3 A | Standards | DIN EN 60947-7-3 |
| Volume resistance according to IEC 60947-7-x | 1 mΩ | Rated impulse withstand voltage | 4 kV |
| Power loss in accordance with IEC 60947-7-x | 1.02 W | Surge voltage category | III |
| Pollution severity | 3 | | |

Classifications

| | | | |
|-------------|-------------|-------------|-------------|
| ETIM 8.0 | EC000899 | ETIM 9.0 | EC000899 |
| ETIM 10.0 | EC000899 | ECLASS 14.0 | 27-25-01-13 |
| ECLASS 15.0 | 27-25-01-13 | | |

Drawings

