

IE-C5DB4BB0015MCSMCA-X

Weidmüller Interface GmbH & Co. KG
Klingenbergstraße 26
D-32758 Detmold
Germany

www.weidmueller.com



Assembled IE cables, railway cable, Cat.5, blue, M12

General ordering data

Version	System cable, M12 D-code – IP 67 straight pin, M12 D-code – IP 67 angled pin, Cat. 5e, Polyolefine, 1.5 m
Order No.	2672330015
Type	IE-C5DB4BB0015MCSMCA-X
GTIN (EAN)	4064675262275
Qty.	1 items

IE-C5DB4BB0015MCSMCA-X

Weidmüller Interface GmbH & Co. KG
 Klingenbergstraße 26
 D-32758 Detmold
 Germany

www.weidmueller.com

Technical data

Approvals

ROHS	Conform
------	---------

Dimensions and weights

Length	1.5 m	Length (inches)	59.0551 inch
Net weight	100 g		

Temperatures

Storage temperature	Operating temperature	-40 °C...85 °C
Installation temperature		

Environmental Product Compliance

RoHS Compliance Status	Compliant with exemption
RoHS Exemption (if applicable/known)	6c
REACH SVHC	Lead 7439-92-1
SCIP	67cf1078-beca-4687-860b-dc475a6ec24a

Cable specific standards

Flames propagate vertically on bundled cables	EN 60332-3-25, According to UL1685, 12 (FT4 exp.)	Hydrogen halide content	According to EN-50267-2-1
Corrosiveness of fumes	EN 50267-2-2	Fire safety for railway vehicles	According to EN 45545, HL1 - HL3, NFPA 130
Impervious to smoke	According to IEC 61034-2	Poisonous gases	EN 50305

Electrical properties

Nominal voltage	125 V
-----------------	-------

General standards

Connector standard	IEC 61076-2-101
--------------------	-----------------

Cable structure

Wire connection cross section AWG, max.	AWG 22	Sheathing colour	blue
Cross-section	4*AWG 22/7 - 0.32 mm ²	Shielding	SF/UTP
Number of wires	4	Insulation	PE
Sheath diameter, max.	6.8 mm	Sheath diameter, min.	6.4 mm
Material sheath	Polyolefine	Wire pair shielding	Plastic foil
Wire core insulation thickness	1.4 mm	Colour coding	yellow, white, orange, blue
Wire material	tinned copper	Sheathing material thickness	1 mm

Electrical properties of cable

Category	Cat. 5e	Coupling attenuation up to 1000 MHz	90 dB
Coupling resistance at 10 MHz / m	8.00 mΩ	Shield attenuation up to 1000 MHz	60.00 dB
Test voltage: wire-wire-shield	1000 Veff, 50 Hz, 1 min		

IE-C5DB4BB0015MCSMCA-X

Weidmüller Interface GmbH & Co. KG
 Klingenbergstraße 26
 D-32758 Detmold
 Germany

www.weidmueller.com

Technical data

Mechanical and material properties of cable

Resistance to oils	in accordance with IEC 60811:404	Halogen	No
Min. bending radius, repetitive	6 *diameter	Min. bending radius, once only	15 x cable diameter
Resistance to spread of flame	in accordance with IEC 60332-1-2	Corrosiveness of fumes	EN 50267-2-2
Impervious to smoke	According to IEC 61034-2		

Plug, left

Plug left	M12, D-coded, Number of poles: 4, IP67, male contact, straight, plug, Plastic, shielded
-----------	---

Plug, right

Plug right	M12, D-coded, Number of poles: 4, IP67, male contact, angled 0°, plug, Plastic, shielded
------------	--

Classifications

ETIM 8.0	EC002599	ETIM 9.0	EC002599
ETIM 10.0	EC002599	ECLASS 14.0	27-06-03-08
ECLASS 15.0	27-06-03-08		

IE-C5DB4BB0015MCSMCA-X

Weidmüller Interface GmbH & Co. KG
 Klingenbergstraße 26
 D-32758 Detmold
 Germany

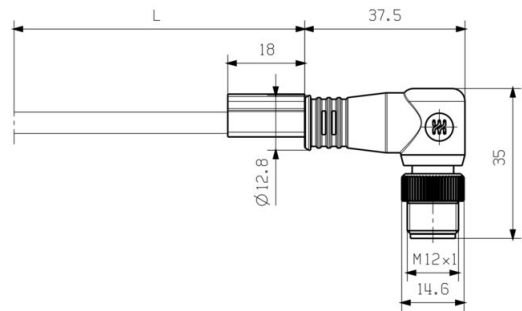
www.weidmueller.com

Drawings

Dimensioned drawing



Dimensioned drawing



Wiring diagram

M12		M12
1	yellow	1
2	white	2
3	orange	3
4	blue	4

Detailed drawing

