

IE-C5DB4BB0015MCAXXX-X

Weidmüller Interface GmbH & Co. KG
Klingenbergstraße 26
D-32758 Detmold
Germany

www.weidmueller.com



Assembled IE cables, railway cable, Cat.5, blue, M12

General ordering data

| | |
|------------|--|
| Version | System cable, M12 D-code - IP 67 angled pin, Open, Cat. 5e, Polyolefine, 1.5 m |
| Order No. | 2671900015 |
| Type | IE-C5DB4BB0015MCAXXX-X |
| GTIN (EAN) | 4064675261841 |
| Qty. | 1 items |

IE-C5DB4BB0015MCAXXX-X

Weidmüller Interface GmbH & Co. KG
 Klingenbergstraße 26
 D-32758 Detmold
 Germany

www.weidmueller.com

Technical data

Approvals

| | |
|------|---------|
| ROHS | Conform |
|------|---------|

Dimensions and weights

| | | | |
|------------|-------|-----------------|--------------|
| Length | 1.5 m | Length (inches) | 59.0551 inch |
| Net weight | 100 g | | |

Temperatures

| | | |
|--------------------------|-----------------------|----------------|
| Storage temperature | Operating temperature | -40 °C...85 °C |
| Installation temperature | | |

Environmental Product Compliance

| | |
|--------------------------------------|--------------------------------------|
| RoHS Compliance Status | Compliant with exemption |
| RoHS Exemption (if applicable/known) | 6c |
| REACH SVHC | Lead 7439-92-1 |
| SCIP | 67cf1078-beca-4687-860b-dc475a6ec24a |

Cable specific standards

| | | | |
|---|---|----------------------------------|--|
| Flames propagate vertically on bundled cables | EN 60332-3-25, According to UL1685, 12 (FT4 exp.) | Hydrogen halide content | According to EN-50267-2-1 |
| Corrosiveness of fumes | EN 50267-2-2 | Fire safety for railway vehicles | According to EN 45545, HL1 - HL3, NFPA 130 |
| Impervious to smoke | According to IEC 61034-2 | Poisonous gases | EN 50305 |

Electrical properties

| | |
|-----------------|-------|
| Nominal voltage | 125 V |
|-----------------|-------|

General standards

| | |
|--------------------|-----------------|
| Connector standard | IEC 61076-2-101 |
|--------------------|-----------------|

Cable structure

| | | | |
|---|-----------------------------------|------------------------------|-----------------------------|
| Wire connection cross section AWG, max. | AWG 22 | Sheathing colour | blue |
| Cross-section | 4*AWG 22/7 - 0.32 mm ² | Shielding | SF/UTP |
| Number of wires | 4 | Insulation | PE |
| Sheath diameter, max. | 6.8 mm | Sheath diameter, min. | 6.4 mm |
| Material sheath | Polyolefine | Wire pair shielding | Plastic foil |
| Wire core insulation thickness | 1.4 mm | Colour coding | yellow, white, orange, blue |
| Wire material | tinned copper | Sheathing material thickness | 1 mm |

Electrical properties of cable

| | | | |
|-----------------------------------|-------------------------|-------------------------------------|----------|
| Category | Cat. 5e | Coupling attenuation up to 1000 MHz | 90 dB |
| Coupling resistance at 10 MHz / m | 8.00 mΩ | Shield attenuation up to 1000 MHz | 60.00 dB |
| Test voltage: wire-wire-shield | 1000 Veff, 50 Hz, 1 min | | |

IE-C5DB4BB0015MCAXXX-X

Weidmüller Interface GmbH & Co. KG
 Klingenbergstraße 26
 D-32758 Detmold
 Germany

www.weidmueller.com

Technical data

Mechanical and material properties of cable

| | | | |
|---------------------------------|----------------------------------|--------------------------------|--------------------|
| Resistance to oils | in accordance with IEC 60811:404 | Halogen | No |
| Min. bending radius, repetitive | 6 *diameter | Min. bending radius, once only | 5 x cable diameter |
| Resistance to spread of flame | in accordance with IEC 60332-1-2 | Corrosiveness of fumes | EN 50267-2-2 |
| Impervious to smoke | According to IEC 61034-2 | | |

Plug, left

| | |
|-----------|--|
| Plug left | M12, D-coded, Number of poles: 4, IP67, male contact, angled 0°, plug, Plastic, shielded |
|-----------|--|

Plug, right

| | |
|------------|--------------------|
| Plug right | Free conductor end |
|------------|--------------------|

Classifications

| | | | |
|-------------|-------------|-------------|-------------|
| ETIM 8.0 | EC002599 | ETIM 9.0 | EC002599 |
| ETIM 10.0 | EC002599 | ECLASS 14.0 | 27-06-03-08 |
| ECLASS 15.0 | 27-06-03-08 | | |

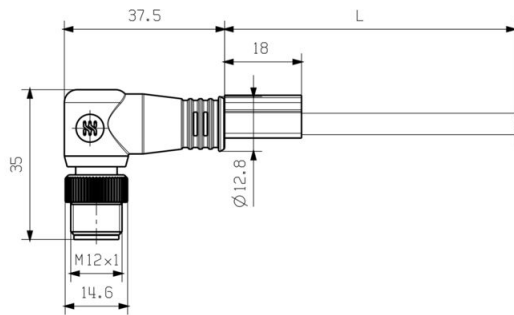
IE-C5DB4BB0015MCAXXX-X

Weidmüller Interface GmbH & Co. KG
Klingenbergstraße 26
D-32758 Detmold
Germany

Drawings

www.weidmueller.com

Dimensioned drawing



Wiring diagram

| | M12 |
|--------|-----|
| yellow | 1 |
| white | 2 |
| orange | 3 |
| blue | 4 |

Detailed drawing

