

HDC MHP 70 MC**Weidmüller Interface GmbH & Co. KG**

Klingenbergstraße 26

D-32758 Detmold

Germany

www.weidmueller.com**Flexible**

The four module sizes make for individual plug solutions that save a huge amount of space. The smaller pitch translates into an optimised design too.

General ordering data

Version	Power module, 1000 V, 70 A, Number of poles: 2, Crimp connection, Male, Required plug-in slots: 1
Order No.	2668190000
Type	HDC MHP 70 MC
GTIN (EAN)	4050118767537
Qty.	1 items

HDC MHP 70 MC

Weidmüller Interface GmbH & Co. KG
Klingenbergstraße 26
D-32758 Detmold
Germany

www.weidmueller.com

Technical data

Approvals

Approvals



ROHS Conform

UL File Number Search [UL Website](#)

Certificate No. (cURus) E92202

Dimensions and weights

Depth	34 mm	Depth (inches)	1.3386 inch
Height	46.65 mm	Height (inches)	1.8366 inch
Width	14.5 mm	Width (inches)	0.5709 inch
Net weight	10.1 g		

Temperatures

Limit temperature -40 °C ... 125 °C

Environmental Product Compliance

RoHS Compliance Status	Compliant without exemption
REACH SVHC	Potassium perfluorobutane sulfonate 29420-49-3
SCIP	1609748e-c278-4c9b-b3d1-e6215d2988cd

General data

Number of poles	2	UL 94 flammability rating	V-0
Insulation resistance	1012 Ω	Plugging cycles	≥ 500
Type	Male	Surge voltage category	III
Pollution severity	3	Basic material	Polycarbonate, glass fibre reinforced
Series	ModuPlug	Rated voltage (DIN EN 61984)	1000 V
Rated voltage according to UL/CSA	600 V	Rated impulse voltage (DIN EN 61984)	8 kV
Rated current (DIN EN 61984)	70 A	Required plug-in slots	1

PE connection data

Connection type PE	Screw connection via module frame
--------------------	-----------------------------------

Version

Stripping length, rated connection	15 mm	Type of connection	Crimp connection
Conductor cross-section, max.	25 mm ²	Conductor cross-section, min.	6 mm ²

Classifications

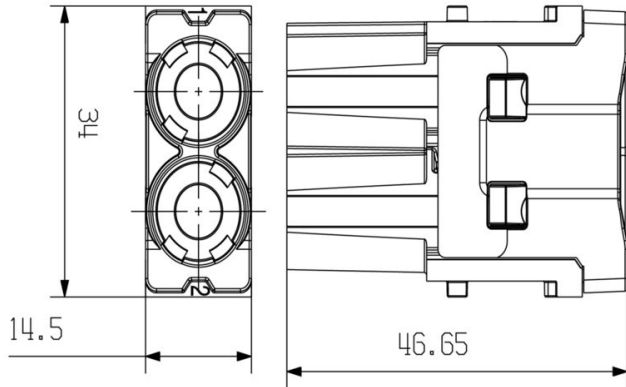
ETIM 8.0	EC000438	ETIM 9.0	EC000438
ETIM 10.0	EC000438	ECLASS 14.0	27-44-02-17
ECLASS 15.0	27-44-02-17		

HDC MHP 70 MC

Weidmüller Interface GmbH & Co. KG
Klingenbergstraße 26
D-32758 Detmold
Germany

Drawings

www.weidmueller.com



HDC MHP 70 MC

Weidmüller Interface GmbH & Co. KG
 Klingenbergstraße 26
 D-32758 Detmold
 Germany

www.weidmueller.com

Accessories

70 A crimp contacts



Crimps provide a electrical and mechanical connection between wire and contact that is both secure and reliable. The optimal crimp connection is gas-tight and corrosion-resistant.

General ordering data

Type	HDC MHP70 M 10	Version
Order No.	2668350000	Male, silver, 10 - 10 mm ²
GTIN (EAN)	4050118802290	
Qty.	10 ST	
Type	HDC MHP70 M 10 P	Version
Order No.	2691240000	Male, silver, 10 - 19 mm ²
GTIN (EAN)	4050118802900	
Qty.	10 ST	
Type	HDC MHP70 M 16	Version
Order No.	2668360000	Male, silver, 16 - 16 mm ²
GTIN (EAN)	4050118802795	
Qty.	10 ST	
Type	HDC MHP70 M 16 P	Version
Order No.	2691250000	Male, silver, 16 - 16 mm ²
GTIN (EAN)	4050118803020	
Qty.	10 ST	
Type	HDC MHP70 M 25	Version
Order No.	2668370000	Male, silver, 25 - 25 mm ²
GTIN (EAN)	4050118803013	
Qty.	10 ST	
Type	HDC MHP70 M 25 P	Version
Order No.	2691260000	Male, silver, 25 - 25 mm ²
GTIN (EAN)	4050118803037	
Qty.	10 ST	
Type	HDC MHP70 M 6	Version
Order No.	2668280000	Male, silver, 6 - 6 mm ²
GTIN (EAN)	4050118802788	
Qty.	10 ST	
Type	HDC MHP70 M 6 P	Version
Order No.	2691190000	Male, silver, 6 - 6 mm ²
GTIN (EAN)	4050118802887	
Qty.	10 ST	

HDC MHP 70 MC

Weidmüller Interface GmbH & Co. KG
 Klingenbergstraße 26
 D-32758 Detmold
 Germany

www.weidmueller.com

Counterpart

Electrical modules



Flexible

The four module sizes make for individual plug solutions that save a huge amount of space. The smaller pitch translates into an optimised design too.

General ordering data

Type	HDC MHP 70 FAS	Version	
Order No.	2748310000	Power module, 1000 V, 70 A, Number of poles: 2, Axial screw connection, Female, Required plug-in slots: 1	
GTIN (EAN)	4050118890884		
Qty.	2 ST		
Type	HDC MHP 70 FC	Version	
Order No.	2668180000	Power module, 1000 V, 70 A, Number of poles: 2, Crimp connection, Female, Required plug-in slots: 1	
GTIN (EAN)	4050118765892		
Qty.	1 ST		