

HDC MHP 70 FC

Weidmüller Interface GmbH & Co. KG
Klingenbergstraße 26
D-32758 Detmold
Germany

www.weidmueller.com

**Flexible**

The four module sizes make for individual plug solutions that save a huge amount of space. The smaller pitch translates into an optimised design too.

General ordering data

Version	Power module, 1000 V, 70 A, Number of poles: 2, Crimp connection, Female, Required plug-in slots: 1
Order No.	2668180000
Type	HDC MHP 70 FC
GTIN (EAN)	4050118765892
Qty.	1 items

HDC MHP 70 FC

Weidmüller Interface GmbH & Co. KG
Klingenbergstraße 26
D-32758 Detmold
Germany

www.weidmueller.com

Technical data

Approvals

Approvals



ROHS Conform

UL File Number Search [UL Website](#)

Certificate No. (cURus) E92202

Dimensions and weights

Depth	34 mm	Depth (inches)	1.3386 inch
Height	47.95 mm	Height (inches)	1.8878 inch
Width	14.5 mm	Width (inches)	0.5709 inch
Net weight	9.7 g		

Temperatures

Limit temperature -40 °C ... 125 °C

Environmental Product Compliance

RoHS Compliance Status	Compliant without exemption
REACH SVHC	Potassium perfluorobutane sulfonate 29420-49-3
SCIP	1609748e-c278-4c9b-b3d1-e6215d2988cd

General data

Number of poles	2	UL 94 flammability rating	V-0
Insulation resistance	1012 Ω	Plugging cycles	≥ 500
Type	Female	Surge voltage category	III
Pollution severity	3	Basic material	Polycarbonate, glass fibre reinforced
Series	ModuPlug	Rated voltage (DIN EN 61984)	1000 V
Rated voltage according to UL/CSA	600 V	Rated impulse voltage (DIN EN 61984)	8 kV
Rated current (DIN EN 61984)	70 A	Required plug-in slots	1

PE connection data

Connection type PE	Screw connection via module frame
--------------------	-----------------------------------

Version

Stripping length, rated connection	15 mm	Type of connection	Crimp connection
Conductor cross-section, max.	25 mm ²	Conductor cross-section, min.	6 mm ²

Classifications

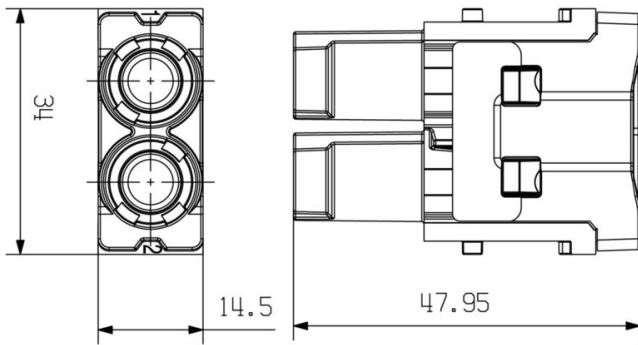
ETIM 8.0	EC000438	ETIM 9.0	EC000438
ETIM 10.0	EC000438	ECLASS 14.0	27-44-02-17
ECLASS 15.0	27-44-02-17		

HDC MHP 70 FC

Weidmüller Interface GmbH & Co. KG
Klingenbergstraße 26
D-32758 Detmold
Germany

Drawings

www.weidmueller.com



HDC MHP 70 FC

Weidmüller Interface GmbH & Co. KG
 Klingenbergstraße 26
 D-32758 Detmold
 Germany

www.weidmueller.com

Accessories

70 A crimp contacts



Crimps provide a electrical and mechanical connection between wire and contact that is both secure and reliable. The optimal crimp connection is gas-tight and corrosion-resistant.

General ordering data

Type	HDC MHP70 F 10	Version
Order No.	2668200000	Female, silver, 10 - 10 mm ²
GTIN (EAN)	4050118803006	
Qty.	10 ST	
Type	HDC MHP70 F 16	Version
Order No.	2668220000	Female, silver, 16 - 16 mm ²
GTIN (EAN)	4050118802917	
Qty.	10 ST	
Type	HDC MHP70 F 25	Version
Order No.	2668260000	Female, silver, 25 - 25 mm ²
GTIN (EAN)	4050118802924	
Qty.	10 ST	
Type	HDC MHP70 F 6	Version
Order No.	2668210000	Female, silver, 6 - 6 mm ²
GTIN (EAN)	4050118802894	
Qty.	10 ST	

HDC MHP 70 FC

Weidmüller Interface GmbH & Co. KG
 Klingenbergstraße 26
 D-32758 Detmold
 Germany

Counterpart

www.weidmueller.com

Electrical modules



Flexible

The four module sizes make for individual plug solutions that save a huge amount of space. The smaller pitch translates into an optimised design too.

General ordering data

Type	HDC MHP 70 MAS	Version	
Order No.	2748300000	Power module, 1000 V, 70 A, Number of poles: 2, Axial screw connection, Male, Required plug-in slots: 1	
GTIN (EAN)	4050118891119		
Qty.	2 ST		
Type	HDC MHP 70 MC	Version	
Order No.	2668190000	Power module, 1000 V, 70 A, Number of poles: 2, Crimp connection, Male, Required plug-in slots: 1	
GTIN (EAN)	4050118767537		
Qty.	1 ST		