

VPCB PV I+II R 1000

Weidmüller Interface GmbH & Co. KG
Klingenbergstraße 26
D-32758 Detmold
Germany

www.weidmueller.com



'Abbildung ähnlich'

Versatile accessories round off the surge protection range. E.g. the all-purpose measuring device V-TEST, which is used to check the function of pluggable arresters such as VSPC.

General ordering data

| | |
|------------|-------------------------------------|
| Order No. | 2665760000 |
| Type | VPCB PV I+II R 1000 |
| GTIN (EAN) | 4050118686272 |
| Qty. | 20 items |

VPCB PV I+II R 1000

Weidmüller Interface GmbH & Co. KG
 Klingenbergstraße 26
 D-32758 Detmold
 Germany

www.weidmueller.com

Technical data

Approvals

Approvals



ROHS Conform

Dimensions and weights

| | | | |
|------------|---------|-----------------|-------------|
| Depth | 52.2 mm | Depth (inches) | 2.0551 inch |
| Height | 61.6 mm | Height (inches) | 2.4252 inch |
| Width | 17.9 mm | Width (inches) | 0.7047 inch |
| Net weight | 20 g | | |

Temperatures

| | | | |
|---------------------|-----------------------|-----------------------|----------------|
| Storage temperature | -40 °C...85 °C | Operating temperature | -40 °C...85 °C |
| Humidity | 5 - 95% rel. humidity | | |

Environmental Product Compliance

| | |
|------------------------|-----------------------------|
| RoHS Compliance Status | Compliant without exemption |
| REACH SVHC | No SVHC above 0.1 wt% |

General data

| | | | |
|---------------------------|---------------|--------|---------------|
| Version | Miscellaneous | Design | miscellaneous |
| UL 94 flammability rating | V-0 | Colour | grey |
| Protection degree | IP20 | | |

Insulation coordination acc. to EN 50178

| | | | |
|------------------------|-----|--------------------|---|
| Surge voltage category | III | Pollution severity | 2 |
|------------------------|-----|--------------------|---|

Photovoltaic technical data

| | | | |
|---|-----------|--|-------------|
| Lightning test current Iimp (10/350 µs) | 6.25 kA | Conditions and requirements | EN 50539-11 |
| Short-circuit current ISCPV | 11 kA | Discharge current In (8/20 µs) | 20 kA |
| Requirements class | Type I/II | Operating height in the grounded PV system | ≤ 4000 m |
| PV system voltage, max. Ucpv | 1500 V | | |

Rated data IEC / EN

| | | | |
|--|----|---|--------------------------------|
| Number of poles | 1 | Signalling contact | 250 V / 0.5 A, 48 V CC / 0.5 A |
| Voltage type | DC | Lightning test current Iimp (10/350 µs) | 6.25 kA |
| Discharge current I _{max} (8/20µs) wire-PE40 kA | | Integrated back-up fuse | No |

Connection data

| | |
|--------------------|-------------------|
| Type of connection | Solder connection |
|--------------------|-------------------|

Electrical data

| | |
|--------------|----|
| Voltage type | DC |
|--------------|----|

VPCB PV I+II R 1000

Weidmüller Interface GmbH & Co. KG
Klingenbergstraße 26
D-32758 Detmold
Germany

www.weidmueller.com

Technical data**General data**

| | | | |
|-----------------|------|-------------------|------|
| Number of poles | 1 | Protection degree | IP20 |
| Colour | grey | | |

Guarantee

| | |
|---------------|---------|
| Time interval | 5 years |
|---------------|---------|

Classifications

| | | | |
|-------------|-------------|-------------|-------------|
| ETIM 8.0 | EC002496 | ETIM 9.0 | EC002496 |
| ETIM 10.0 | EC002496 | ECLASS 14.0 | 27-17-14-03 |
| ECLASS 15.0 | 27-17-14-03 | | |

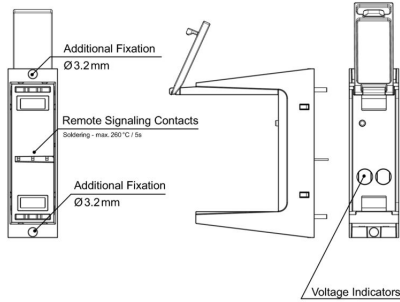
VPCB PV I+II R 1000

Weidmüller Interface GmbH & Co. KG
 Klingenbergstraße 26
 D-32758 Detmold
 Germany

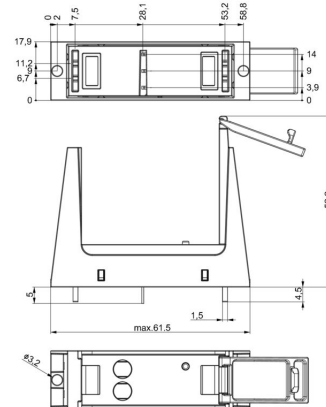
www.weidmueller.com

Drawings

Similar to illustration



Dimensioned drawing

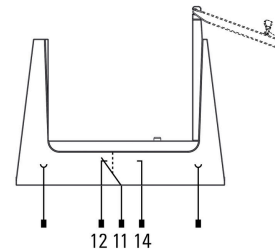


Example of use



- PCB layout and production:**
- Air clearance and creepage distances have to be maintained according to standards for specified application.
 - Discharge capacity of the SPD must be considered when designing PCB tracks
 - Max. soldering temperature is 260°/5s
 - PCB socket is fixed on PCB with 2 x two solder contacts and 2 x Ø 3,2 mm fixing holes.

Electric symbol



Schematic circuit diagram



Application with arrester

| Sockettyp / Socket type / Type d'embase / Tipo di presa / Tipo de conector / 插座类型 | Überspannungableiter / Surge arrester / Parafoudre / Scaricatore / Descargador de sobretensiones / 浪涌电涌保护器 |
|--|--|
| Bestellnummer / Order number / Numéro de commande / Numero ordine / Numero de pedido / 订货号 | Bezeichnung / Designation / Designation / Designazione / Designación / 分配 |
| 265680000 | VPCB PV II 1000 |
| 265690000 | VPCB PV III R 1000 1) |
| 2656540000 | VPCB PV I+II 1000 |
| 2656760000 | VPCB PV I+II R 1000 1) |
| 2656750000 | VPCB PV I+II M 1000 |
| 2656770000 | VPCB PV I+II R M 1000 1) |
| 2530660000 | VPU PV II 0 1000 |
| 2530600000 | VPU PV I+II 0 1000 |
| 2534300000 | VPU PV I+II OM 1000 |

1) R = Fernmeldesignalgeber / Remote signalling contacts / Contactos de teleseñalización / Contatti di segnalazione remota / Contactos de señalización a distancia / 远程信号触点

Selection