

VPCB PV I+II R 1000

Weidmüller Interface GmbH & Co. KG
Klingenbergstraße 26
D-32758 Detmold
Germany

www.weidmueller.com



'Abbildung ähnlich'

Versatile accessories round off the surge protection range. E.g. the all-purpose measuring device V-TEST, which is used to check the function of pluggable arresters such as VSPC.

General ordering data

Order No.	2665760000
Type	VPCB PV I+II R 1000
GTIN (EAN)	4050118686272
Qty.	20 items

VPCB PV I+II R 1000

Weidmüller Interface GmbH & Co. KG
 Klingenbergstraße 26
 D-32758 Detmold
 Germany

www.weidmueller.com

Technical data

Approvals

Approvals



ROHS Conform

Dimensions and weights

Depth	52.2 mm	Depth (inches)	2.0551 inch
Height	61.6 mm	Height (inches)	2.4252 inch
Width	17.9 mm	Width (inches)	0.7047 inch
Net weight	20 g		

Temperatures

Storage temperature	-40 °C...85 °C	Operating temperature	-40 °C...85 °C
Humidity	5 - 95% rel. humidity		

Environmental Product Compliance

RoHS Compliance Status	Compliant without exemption
REACH SVHC	No SVHC above 0.1 wt%

General data

Version	Miscellaneous	Design	miscellaneous
UL 94 flammability rating	V-0	Colour	grey
Protection degree	IP20		

Insulation coordination acc. to EN 50178

Surge voltage category	III	Pollution severity	2
------------------------	-----	--------------------	---

Photovoltaic technical data

Lightning test current Iimp (10/350 µs)	6.25 kA	Conditions and requirements	EN 50539-11
Short-circuit current ISCPV	11 kA	Discharge current In (8/20 µs)	20 kA
Requirements class	Type I/II	Operating height in the grounded PV system	≤ 4000 m
PV system voltage, max. Ucpv	1500 V		

Rated data IEC / EN

Number of poles	1	Signalling contact	250 V / 0,5 A, 48 V CC / 0,5 A
Voltage type	DC	Lightning test current Iimp (10/350 µs)	6.25 kA
Discharge current I _{max} (8/20µs) wire-PE40 kA		Integrated back-up fuse	No

Connection data

Type of connection	Solder connection
--------------------	-------------------

Electrical data

Voltage type	DC
--------------	----

VPCB PV I+II R 1000

Weidmüller Interface GmbH & Co. KG
Klingenbergstraße 26
D-32758 Detmold
Germany

www.weidmueller.com

Technical data**General data**

Number of poles	1	Protection degree	IP20
Colour	grey		

Guarantee

Time interval	5 years
---------------	---------

Classifications

ETIM 8.0	EC002496	ETIM 9.0	EC002496
ETIM 10.0	EC002496	ECLASS 14.0	27-17-14-03
ECLASS 15.0	27-17-14-03		

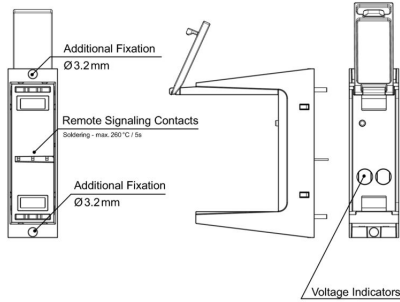
VPCB PV I+II R 1000

Weidmüller Interface GmbH & Co. KG
 Klingenbergstraße 26
 D-32758 Detmold
 Germany

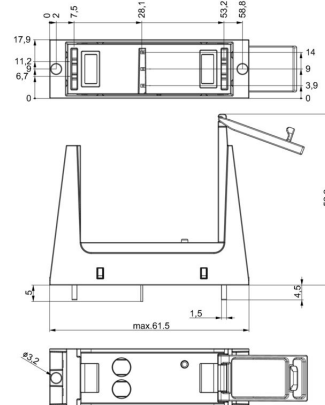
www.weidmueller.com

Drawings

Similar to illustration



Dimensioned drawing



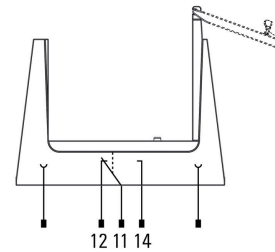
Example of use



PCB layout and production:

- Air clearance and creepage distances have to be maintained according to standards for specified application.
- Discharge capacity of the SPD must be considered when designing PCB tracks
- Max. soldering temperature is 260°/5s
- PCB socket is fixed on PCB with 2 x two solder contacts and 2 x Ø 3,2 mm fixing holes.

Electric symbol



Schematic circuit diagram



Application with arrester

Sockettyp / Socket type / Type d'embase / Tipo di presa / Tipo de conector / 插座类型	Überspannungableiter / Surge arrester / Parafoudre / Scaricatore / Descargador de sobretensiones / 浪涌电压保护器		
Bestellnummer / Order number / Numéro de commande / Numero ordine / Número de pedido / 订货号	Bezeichnung / Designation / Designation / Designazione / Designación / 分配		
265680000	VPCB PV II 1000	253060000	VPU PV II 0 1000
265690000	VPCB PV III R 1000 1)		
2656540000	VPCB PV I+II 1000	253060000	VPU PV I+II 0 1000
2656760000	VPCB PV I+II R 1000 1)		
2656750000	VPCB PV I+II M 1000		
2656770000	VPCB PV I+II R M 1000 1)	253430000	VPU PV I+II OM 1000

1) R = Fernmeldesignalgeber / Remote signalling contacts / Contacts de téléseñalización / Contatti di segnalazione remota / Contactos de señalización a distancia / 远程信号触点

Selection