

**VPCB PV I+II 1000 E****Weidmüller Interface GmbH & Co. KG**Klingenbergstraße 26  
D-32758 Detmold  
Germany

www.weidmueller.com



'Abbildung ähnlich'

Versatile accessories round off the surge protection range. E.g. the all-purpose measuring device V-TEST, which is used to check the function of pluggable arresters such as VSPC.

**General ordering data**

|                 |   |
|-----------------|---|
| Order No.       | 2665700000  |
| Type            | <a href="#">VPCB PV I+II 1000 E</a>                     |
| GTIN (EAN)      | 4050118686616   |
| Qty.            | 20 items  |
| Delivery status | This article will no longer be available in the future. |
| Available until | 2026-06-01T00:00:00+02:00                               |

## VPCB PV I+II 1000 E

Weidmüller Interface GmbH & Co. KG  
Klingenbergstraße 26  
D-32758 Detmold  
Germany

www.weidmueller.com

## Technical data

## Approvals

|      |         |
|------|---------|
| ROHS | Conform |
|------|---------|

## Dimensions and weights

|            |         |                 |             |
|------------|---------|-----------------|-------------|
| Depth      | 52.2 mm | Depth (inches)  | 2.0551 inch |
| Height     | 61.6 mm | Height (inches) | 2.4252 inch |
| Width      | 17.9 mm | Width (inches)  | 0.7047 inch |
| Net weight | 20 g    |                 |             |

## Temperatures

|                     |                       |                       |                |
|---------------------|-----------------------|-----------------------|----------------|
| Storage temperature | -40 °C...85 °C        | Operating temperature | -40 °C...85 °C |
| Humidity            | 5 - 95% rel. humidity |                       |                |

## Environmental Product Compliance

|                        |                             |
|------------------------|-----------------------------|
| RoHS Compliance Status | Compliant without exemption |
| REACH SVHC             | No SVHC above 0.1 wt%       |

## General data

|                           |               |        |               |
|---------------------------|---------------|--------|---------------|
| Version                   | Miscellaneous | Design | miscellaneous |
| UL 94 flammability rating | V-0           | Colour | grey          |
| Protection degree         | IP20          |        |               |

## Insulation coordination acc. to EN 50178

|                        |     |                    |   |
|------------------------|-----|--------------------|---|
| Surge voltage category | III | Pollution severity | 2 |
|------------------------|-----|--------------------|---|

## Photovoltaic technical data

|   |           |  |             |
|---|-----------|--|-------------|
| Lightning test current Iimp (10/350 µs) | 6.25 kA   | Conditions and requirements                | EN 50539-11 |
| Short-circuit current ISCPV             | 11 kA     | Discharge current In (8/20 µs)             | 20 kA       |
| Requirements class                      | Type I/II | Operating height in the grounded PV system | ≤ 4000 m    |
| PV system voltage, max. Ucpv            | 1500 V    |  |             |

## Rated data IEC / EN

|  |    |   |         |
|--|----|---|---------|
| Number of poles  | 1  | Signalling contact                      | No      |
| Voltage type   | DC | Lightning test current Iimp (10/350 µs) | 6.25 kA |
| Discharge current I <sub>max</sub> (8/20µs) wire-PE40 kA |    | Integrated back-up fuse                 | No      |

## Connection data

|                    |                   |
|--------------------|-------------------|
| Type of connection | Solder connection |
|--------------------|-------------------|

## Electrical data

|              |    |
|--------------|----|
| Voltage type | DC |
|--------------|----|

## General data

|                 |      |                   |      |
|-----------------|------|-------------------|------|
| Number of poles | 1    | Protection degree | IP20 |
| Colour          | grey |                   |      |

## VPCB PV I+II 1000 E

**Weidmüller Interface GmbH & Co. KG**  
Klingenbergstraße 26  
D-32758 Detmold  
Germany

[www.weidmueller.com](http://www.weidmueller.com)

## Technical data

### Guarantee

|               |         |
|---------------|---------|
| Time interval | 5 years |
|---------------|---------|

### Classifications

|             |             |             |             |
|-------------|-------------|-------------|-------------|
| ETIM 8.0    | EC002496    | ETIM 9.0    | EC002496    |
| ETIM 10.0   | EC002496    | ECLASS 14.0 | 27-17-14-03 |
| ECLASS 15.0 | 27-17-14-03 |             |             |

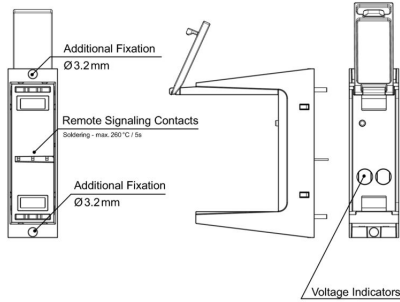
VPCB PV I+II 1000 E

Weidmüller Interface GmbH & Co. KG  
 Klingenbergstraße 26  
 D-32758 Detmold  
 Germany

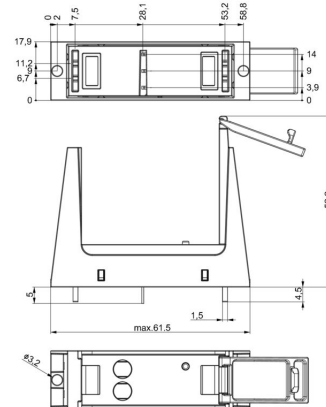
www.weidmueller.com

Drawings

Similar to illustration



Dimensioned drawing

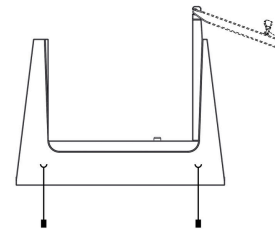


Example of use



- PCB layout and production:**
- Air clearance and creepage distances have to be maintained according to standards for specified application.
  - Discharge capacity of the SPD must be considered when designing PCB tracks
  - Max. soldering temperature is 260°/5s
  - PCB socket is fixed on PCB with 2 x two solder contacts and 2 x Ø 3,2 mm fixing holes.

Electric symbol



Schematic circuit diagram



Application with arrester

| Sockettyp / Socket type / Type d'embase / Tipo di presa / Tipo de conector / 插座类型          | Überspannungableiter / Surge arrester / Parafoudre / Scaricatore / Descargador de sobretensiones / 浪涌电压保护器 |           |                     |
|--|--|-----------|---------------------|
| Bestellnummer / Order number / Numéro de commande / Numero ordine / Numero de pedido / 订货号 | Bezeichnung / Designation / Designation / Designazione / Designación / 分配                                  |           |                     |
| 265680000  | VPCB PV II 1000  | 253060000 | VPU PV II 0 1000    |
| 265690000  | VPCB PV III R 1000 <sup>1)</sup>   |           |                     |
| 265654000  | VPCB PV I+II 1000  | 253060000 | VPU PV I+II 0 1000  |
| 265676000  | VPCB PV I+II R 1000 <sup>1)</sup>  |           |                     |
| 265675000  | VPCB PV I+II M 1000  |           |                     |
| 265677000  | VPCB PV I+II R M 1000 <sup>1)</sup>  | 253430000 | VPU PV I+II RM 1000 |

1) R = Fernmeldesignalkontakte / Remote signalling contacts / Contacts de téléseñalización / Contatti di segnalazione remota / Contactos de señalización a distancia / 远程信号触点

Selection