

**VPCB PV II 1000****Weidmüller Interface GmbH & Co. KG**Klingenbergstraße 26  
D-32758 Detmold  
Germany

www.weidmueller.com



'Abbildung ähnlich'

Versatile accessories round off the surge protection range. E.g. the all-purpose measuring device V-TEST, which is used to check the function of pluggable arresters such as VSPC.

**General ordering data**

Order No.	2665680000
Type	<a href="#">VPCB PV II 1000</a>
GTIN (EAN)	4050118686630
Qty.	20 items
Delivery status	This article will no longer be available in the future.
Available until	2026-06-01T00:00:00+02:00

## VPCB PV II 1000

**Weidmüller Interface GmbH & Co. KG**  
 Klingenbergstraße 26  
 D-32758 Detmold  
 Germany

www.weidmueller.com

## Technical data

### Approvals

Approvals



ROHS Conform

### Dimensions and weights

Depth	52.2 mm	Depth (inches)	2.0511 inch
Height	61.6 mm	Height (inches)	2.4252 inch
Width	17.9 mm	Width (inches)	0.7047 inch
Net weight	10 g		

### Temperatures

Storage temperature	-40 °C...85 °C	Operating temperature	-40 °C...85 °C
Humidity	5 - 95% rel. humidity		

### Environmental Product Compliance

RoHS Compliance Status	Compliant without exemption
REACH SVHC	No SVHC above 0.1 wt%

### General data

Version	Miscellaneous	Design	miscellaneous
UL 94 flammability rating	V-0	Colour	grey
Protection degree	IP20		

### Insulation coordination acc. to EN 50178

Surge voltage category	III	Pollution severity	2
------------------------	-----	--------------------	---

### Photovoltaic technical data

Conditions and requirements	EN 50539-11	Short-circuit current I <sub>SCPV</sub>	11 kA
Discharge current I <sub>n</sub> (8/20 μs)	20 kA	Requirements class	Type I/II
Operating height in the grounded PV system	≤ 4000 m	PV system voltage, max. U <sub>cpv</sub>	1500 V

### Rated data IEC / EN

Number of poles	1	Signalling contact	No
Voltage type	DC	Discharge current I <sub>max</sub> (8/20 μs) wire-PE40 kA	
Integrated back-up fuse	No		

### Connection data

Type of connection	Solder connection
--------------------	-------------------

### Electrical data

Voltage type	DC
--------------	----

**VPCB PV II 1000**

**Weidmüller Interface GmbH & Co. KG**  
Klingenbergstraße 26  
D-32758 Detmold  
Germany

[www.weidmueller.com](http://www.weidmueller.com)

**Technical data****General data**

Number of poles	1	Protection degree	IP20
Colour	grey		

**Guarantee**

Time interval	5 years
---------------	---------

**Classifications**

ETIM 8.0	EC002496	ETIM 9.0	EC002496
ETIM 10.0	EC002496	ECLASS 14.0	27-17-14-03
ECLASS 15.0	27-17-14-03		

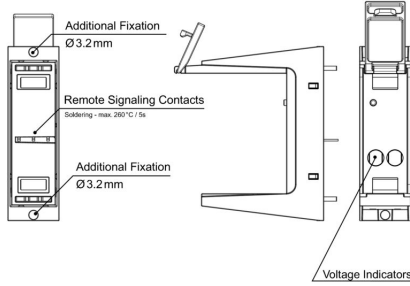
VPCB PV II 1000

Weidmüller Interface GmbH & Co. KG  
 Klingenbergstraße 26  
 D-32758 Detmold  
 Germany

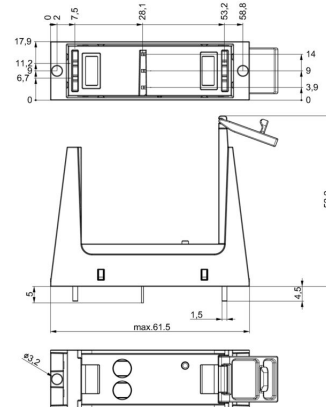
Drawings

www.weidmueller.com

Similar to illustration



Dimensioned drawing



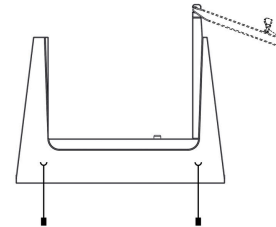
Example of use



PCB layout and production:

- Air clearance and creepage distances have to be maintained according to standards for specified application.
- Discharge capacity of the SPD must be considered when designing PCB tracks
- Max. soldering temperature is 260°/5s
- PCB socket is fixed on PCB with 2 x two solder contacts and 2 x Ø 3,2 mm fixing holes.

Electric symbol



Schematic circuit diagram



Application with arrester

Sockettyp / Socket type / Type d'embase / Tipo di presa / Tipo de conector / 插座类型	Überspannungableiter / Surge arrester / Parafoudre / Scaricatore / Descargador de sobretensiones / 浪涌电压保护器
Bestellnummer / Order number / Numéro de commande / Numero ordine / Número de pedido / 订货号	Bezeichnung / Designation / Designation / Designation / Designation / 分配
265680000	VPCB PV II 1000
265690000	VPCB PV III R 1000 1)
2656540000	VPCB PV I+II 1000
2656570000	VPCB PV I+II R 1000 1)
2656570000	VPCB PV I+II M 1000
26565770000	VPCB PV I+II R M 1000 1)
2530660000	VPU PV II 0 1000
2530600000	VPU PV I+II 0 1000
2534300000	VPU PV I+II 0M 1000

1) R = Fernmeldesignalkontakte / Remote signalling contacts / Contacts de téléseñalización / Contatti di segnalazione remota / Contactos de señalización a distancia / 远程信号触点

Selection