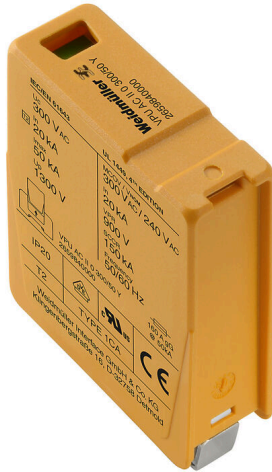


VPU AC II O 300/50 Y

Weidmüller Interface GmbH & Co. KG
 Klingenbergstraße 26
 D-32758 Detmold
 Germany

www.weidmueller.com



In the event of a defective arrester, you can easily reorder this spare arrester, replace the defective arrester and thus restore protection.

General ordering data

Version	Spare arrester, Surge protection, TN, Single-phase
Order No.	2659840000
Type	VPU AC II O 300/50 Y
GTIN (EAN)	4050118679403
Qty.	1 items
Delivery status	This article will no longer be available in the future.
Available until	2026-06-01T00:00:00+02:00
Alternative product	VPU AC II O 300/50

VPU AC II O 300/50 Y

Weidmüller Interface GmbH & Co. KG

Klingenbergstraße 26

D-32758 Detmold

Germany

www.weidmueller.com

Technical data

Approvals

Approvals



ROHS	Conform
UL File Number Search	UL Website
Certificate No. (cURus)	E3542610000

Dimensions and weights

Depth	64 mm	Depth (inches)	2.5197 inch
Height	45 mm	Height (inches)	1.7716 inch
Width	18 mm	Width (inches)	0.7087 inch
Net weight	65 g		

Temperatures

Storage temperature	-40 °C...85 °C	Ambient temperature	-40 °C...85 °C
Operating temperature	-40 °C...85 °C	Humidity	5 - 95% rel. humidity

Environmental Product Compliance

RoHS Compliance Status	Compliant without exemption
REACH SVHC	No SVHC above 0.1 wt%

Rated data UL

Ambient temperature (operational), max. 85 °C	Rated Voltage UN	240 V
VPR (L/N-PE)	MCOV (L/N-PE)	300 V
SCCR	In	20 kA
Category	Ambient temperature (operational), min. -40 °C	
Certificate No. (cURus)	VPR (L-PE)	900 V
Voltage type	AC	

Connection data, remote alert

Connection type	PUSH IN
-----------------	---------

General data

Optical function display	green = ok, yellow = warning, red = arrester is defective - replace.	Segment	Power distribution
Version	Surge protection	Design	Installation housing; 1TE
UL 94 flammability rating	V-0	Colour	blue
Protection degree	IP20 in installed state	Operating altitude	≤ 4000 m

Insulation coordination acc. to EN 50178

Surge voltage category	III	Pollution severity	2
------------------------	-----	--------------------	---

Rated data IEC / EN

Number of poles	1	Combined pulse UOC	6 kV
Leakage current at Un	0.3 mA	Signalling contact	No

VPU AC II O 300/50 Y

Weidmüller Interface GmbH & Co. KG

Klingenbergstraße 26
D-32758 Detmold
Germany

www.weidmueller.com

Technical data

Rated voltage (AC)	230 V	Low voltage network	TN, Single-phase
Voltage type	AC	Temporary surge voltage (over-voltage) - TOV	1200 V
Response time / fallback time	≤ 25 ns	Frequency range, max.	60 Hz
Frequency range, min.	50 Hz	Standards	IEC61643-11, EN61643-11, UL 1449, IEC 61643-11, EN 61643-11
Requirements class, acc. to EN 61643-11	T2, T3	Requirements category acc. to IEC 61643-11	Type II, Type III
Max. continuous voltage, U _c (AC)	300 V	Max. continuous voltage, U _c (N-PE)	300 V
Discharge current I _{max} (8/20μs) N-PE	50 kA	Discharge current I _n (8/20μs) N-PE	25 kA
Energy coordination (≤10 m)	Type II, Type III	Discharge current I _n (8/20μs) wire-PE	25 kA
Discharge current I _{max} (8/20μs) wire-PE	50 kA	SPD type	T2
Protection level U _p at I _n (L/N-PE)	≤ 1.3 kV	Short-circuit current rating ISCCR	0.1 kA
Discharge current (type III)	3 kA	Integrated back-up fuse	No

Connection data

Stripping length	18 mm	Type of connection	Plug-in connection, Screw connection
Wire cross-section, solid, min.	1.5 mm ²	Wire cross-section, solid, max.	35 mm ²
Wire connection cross section, finely stranded, max.	25 mm ²		

Electrical data

Voltage type	AC
--------------	----

General data

Number of poles	1	Protection degree	IP20 in installed state
Colour	blue		

Guarantee

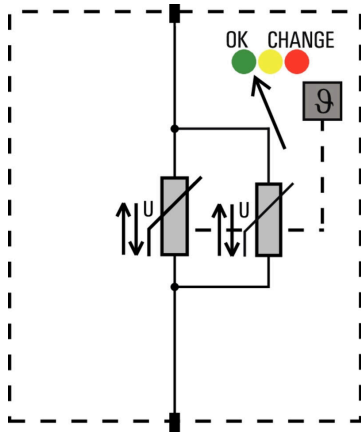
Time interval	5 years
---------------	---------

Classifications

ETIM 8.0	EC000941	ETIM 9.0	EC000941
ETIM 10.0	EC000941	ECLASS 14.0	27-17-12-02
ECLASS 15.0	27-17-12-02		

Drawings

Electric symbol



Schematic circuit diagram

VPU AC II 0 300/50 Y

Weidmüller Interface GmbH & Co. KG

Klingenbergstraße 26

D-32758 Detmold

Germany

www.weidmueller.com

Accessories

Slotted screwdriver



VDE insulated slot-head screwdriver, SDI DIN 7437, ISO 2380/2, drive output acc. to DIN 5264, ISO 2380/1. SoftFinish grip

General ordering data

Type	SDIS 1.0X5.5X125	Version	
Order No.	2749850000	Screwdriver, Blade width (B): 5.5 mm, Blade length: 125 mm, Blade thickness (A): 1 mm	
GTIN (EAN)	4050118897050		
Qty.	1 ST		

Blank



ESG is the tried-and-tested marker in MultiCard format for use on many well-known electrical devices. The result is high-quality device marking with a high-contrast appearance.

Various types are available for devices from manufacturers like Siemens, ABB, Beckhoff etc.

Advantages at a glance:

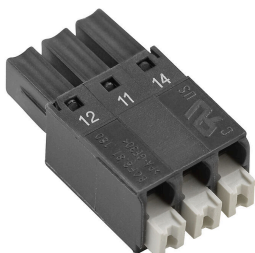
- Tags for universal usage, self-adhesive or clip-on tags, depending on type
- For aligned equipment, e.g. circuit breakers, we supply ESG markers for clipping onto tag rails
- Individual laser-quality printing according to specifications

For custom printing: Please send us a file of our labeling software M-Print PRO or M-Print PRO Online (without installation) for your labeling specifications.

General ordering data

Type	ESG 6/15 K MC NE WS	Version	
Order No.	1880100000	ESG, Device markers x 15 mm, PA 66, Colour: white, Self-adhesive	
GTIN (EAN)	4032248478781		
Qty.	200 ST		

VPU Series



Extensive accessories round off the product range

VPU AC II 0 300/50 Y

Weidmüller Interface GmbH & Co. KG
Klingenbergstraße 26
D-32758 Detmold
Germany

www.weidmueller.com

Accessories

General ordering data

Type	VPU LOCKING CLIP S	Version	
Order No.	2735080000		
GTIN (EAN)	4050118826050		
Qty.	10 ST		