

RJ45G1 R1D 3.3E4GY/GY RL

Weidmüller Interface GmbH & Co. KG

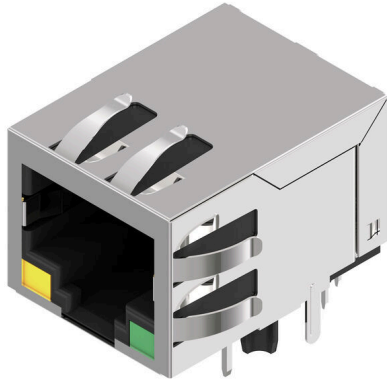
Klingenbergstraße 26

D-32758 Detmold

Germany

www.weidmueller.com

Product image



RJ45 transmitter sockets (magnetics) for gigabit applications (1000 base-T) with integrated compensation actively counteracts inductive and capacitive couplings and saves space on the PCB.

The product range encompasses the following designs:

- 90°, lying (horizontal) and 180°, standing (vertical)
- latch up / latch down
- THT, THR or SMD soldering processes
- Wide range of different design types, also with integrated LEDs and shield contact tabs
- Transmission rates of up to 1 Gbps
- Packed either in a tray (TY) or on a roll (tape-on-reel, RL)
- Compatible with modular RJ45 connector according to ANSI / TIA-1096-A and IEC 60603
- Dielectric strength ≥ 1500 V AC RMS (2250 V AC peak value) according to IEEE 802.3
- Dielectric strength ≥ 1500 V AC (peak value) or ≥ 1500 V DC according to IEC 60603
- Compliance with IEEE 802.3 requirements (1000Base-T, 1 Gbps, IEEE 802.3ab or 100Base-Tx, 100 Mbps, IEEE 802.3u) Properties and advantages:
- Extended temperature range of -40 °C to $+85$ °C for maximum performance
- Reinforced gold layer ($30\mu\text{m}$) for improved corrosion protection
- At least 0.3mm stand-off ensures a perfect soldering result

General ordering data

Version	OMNIMATE Data - RJ45 transformer jack, PCB plug-in connector, THT/THR solder connection, 90°, bottom, Yes, Plugging cycles: 750, Number of poles: 8, PA 9T, Tape
Order No.	2638860000
Type	RJ45G1 R1D 3.3E4GY/GY RL
GTIN (EAN)	4050118657098
Qty.	200 items
Packaging	Tape

RJ45G1 R1D 3.3E4GY/GY RL

Weidmüller Interface GmbH & Co. KG
Klingenbergstraße 26
D-32758 Detmold
Germany

www.weidmueller.com

Technical data

Approvals

Approvals	CURUS
ROHS	Conform
UL File Number Search	UL Website
Certificate No. (cURus)	E471884

Dimensions and weights

Net weight	9.75 g
------------	--------

Environmental Product Compliance

RoHS Compliance Status	Compliant without exemption
REACH SVHC	No SVHC above 0.1 wt%

System specifications

Number of poles	8	LED	Yes
Solder pin length (l)	3.3 mm	Mounting onto the PCB	THT/THR solder connection
Pitch in inches (P)	0.050 "	Shielding	Yes
Side termination, characteristic	Solder flange	Type of connection	Solder connection
Product family	OMNIMATE Data - RJ45 transformer jack	Pitch in mm (P)	1.27 mm
Protection degree	IP20	Plugging cycles	750
Outgoing elbow	90°	Forward current	20 mA
Forward voltage, max.	2.5 V	Colour of right LED	Green/yellow
Soldering process	Reflow soldering, Manual soldering, Wave soldering	Latch option	bottom
Solder pin dimensions	Octagonal	Tolerance of solder pin position	± 0.1 mm
Forward voltage, min.	1.8 V	Colour of left LED	Green/yellow

Electrical properties

Dielectric strength, contact / shield	1500 V DC	Dielectric strength, contact / contact	1000 V DC
Insulation resistance	≥ 500 MΩ	Nominal voltage	125 V
Rated current	1.5 A		

Standards

Connector standard	IEC 60603-7
--------------------	-------------

Material data

Insulating material	PA 9T	Colour	black
Colour chart (similar)	RAL 9011	Insulation resistance	≥ 500 MΩ
Moisture Level (MSL)	1	UL 94 flammability rating	V-0
Contact material	Cu-alloy	Contact surface	Gold over nickel
Storage temperature, min.	-40 °C	Storage temperature, max.	85 °C
Operating temperature, min.	-40 °C	Operating temperature, max.	85 °C

Packing

Packaging	Tape	VPE length	356.00 mm
VPE width	353.00 mm	VPE height	131.00 mm

RJ45G1 R1D 3.3E4GY/GY RL

Weidmüller Interface GmbH & Co. KG
Klingenbergstraße 26
D-32758 Detmold
Germany

www.weidmueller.com

Technical data

Important note

Notes

Classifications

ETIM 8.0	EC002637	ETIM 9.0	EC002637
ETIM 10.0	EC002637	ECLASS 14.0	27-46-02-01
ECLASS 15.0	27-46-02-01		

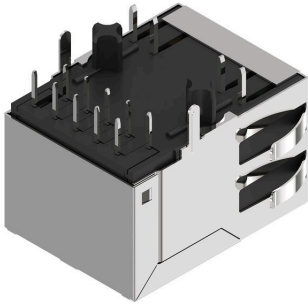
RJ45G1 R1D 3.3E4GY/GY RL

Weidmüller Interface GmbH & Co. KG
Klingenbergstraße 26
D-32758 Detmold
Germany

www.weidmueller.com

Drawings

Product image



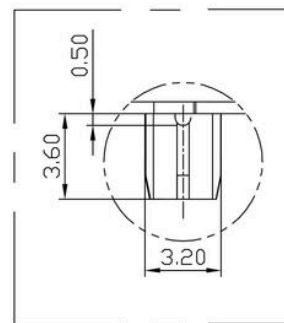
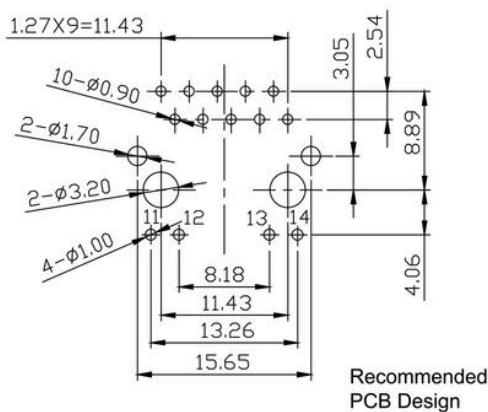
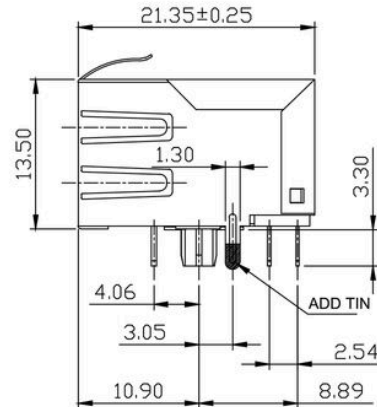
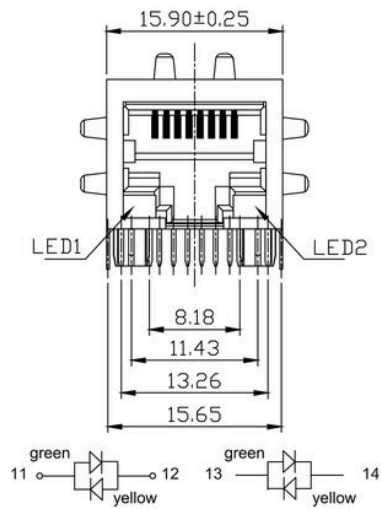
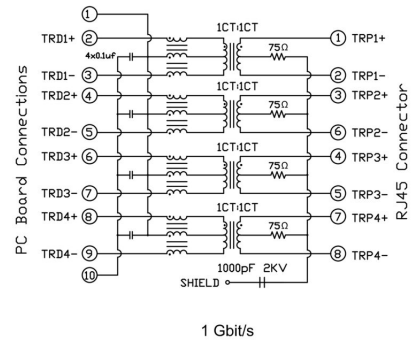
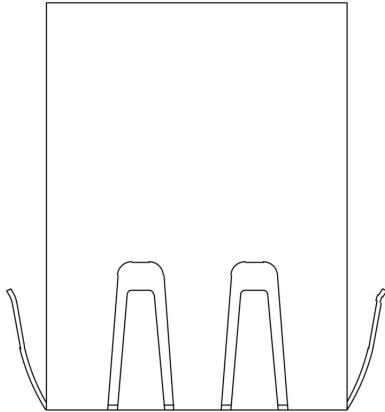
RJ45G1 R1D 3.3E4GY/GY RL

Weidmüller Interface GmbH & Co. KG
 Klingenbergstraße 26
 D-32758 Detmold
 Germany

Drawings

www.weidmueller.com

Wiring



DETAIL "C"
 SCALE 2:1

RJ45G1 R1D 3.3E4GY/GY RL

Weidmüller Interface GmbH & Co. KG
 Klingenbergstraße 26
 D-32758 Detmold
 Germany

Drawings

www.weidmueller.com

Code	Parameter	Value	Description
RJ45			
G1			
R			
1			
U			
3.2			
E			
4			
GY/GY			
TY			
RJ45G1 R1U 3.2E4GY/GY TY			
	Packaging	TY RL	Tray in box (manual assembly) Tape on Reel (automated assembly)
	LED	Y/G G/Y GY/GY O/G R/O ... N	Yellow/Green Green/Yellow (standard) Green-Yellow/Green-Yellow Orange/Green Red/Orange .. (further combinations possible) without LED
	Contact surface thickness	4	1 = 3µ", 2 = 6µ", 3 = 15µ", 4 = 30µ" , 5 = 50µ"
	EMI tabs (ground fingers)	E N	E = with EMI tabs N = without EMI tabs
	Solder Pin length	3.2 1.6 D	3.2 mm 1.6 mm SMD
	Direction, latch style	U D V Y	Horizontal (90°, side entry), latch up Horizontal (90°, side entry), latch down Vertical (180°, top entry) Diagonal (45°), latch up
	Number of Ports	1 12; 14; ... 21; 41; ...	1 Port multi ports side by side, Multiport multi ports about each other, Multilevel
	Assembly on PCB	R S T	Through Hole Reflow - THR Soldering process: Wave or Reflow soldering Surface Mount Technology - SMT Soldering process: Reflow soldering Through Hole Technology - THT Soldering process: Wave
	Performance Category	C5 C6 C6A C5e M G1 G10 U MP MP+	Category 5 Category 6 Category 6A Category 5e 10/100 Mbit 10/100/1000 Mbit 10 Gbit Unshielded 10/100 Mbit with POE 10/100 Mbit with POE+

Type codes