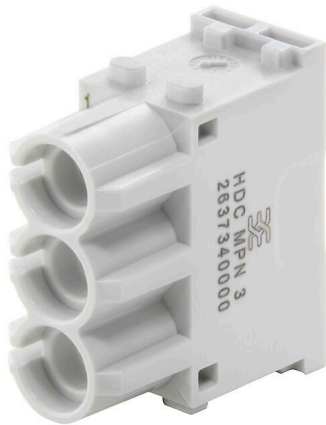


HDC MPN 3**Weidmüller Interface GmbH & Co. KG**

Klingenbergstraße 26

D-32758 Detmold

Germany

www.weidmueller.com**Flexible**

The four module sizes make for individual plug solutions that save a huge amount of space. The smaller pitch translates into an optimised design too.

General ordering data

Version	Pneumatic module, Number of poles: 3, Hose connection (pneumatic), pneumatic, Required plug-in slots: 1
Order No.	2637340000
Type	HDC MPN 3
GTIN (EAN)	4050118765823
Qty.	1 items

HDC MPN 3

Weidmüller Interface GmbH & Co. KG
 Klingenbergstraße 26
 D-32758 Detmold
 Germany

www.weidmueller.com

Technical data

Approvals

ROHS	Conform
------	---------

Dimensions and weights

Net weight	6.6 g
------------	-------

Temperatures

Limit temperature	-40 °C ... 80 °C
-------------------	------------------

Environmental Product Compliance

RoHS Compliance Status	Compliant without exemption
REACH SVHC	Potassium perfluorobutane sulfonate 29420-49-3
SCIP	1609748e-c278-4c9b-b3d1-e6215d2988cd

General data

Number of poles	3	UL 94 flammability rating	V-0
Plugging cycles	≥ 500	Type	pneumatic
Basic material	Polycarbonate, glass fibre reinforced	Series	ModuPlug
Required plug-in slots	1		

Pneumatic module

Module operating pressure	8 bar	Inner hose diameter, min.	1.6 mm
Inner hose diameter, max.	4 mm		

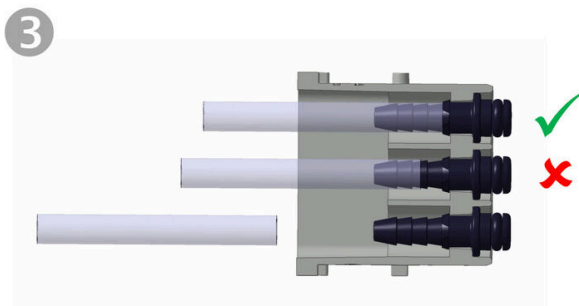
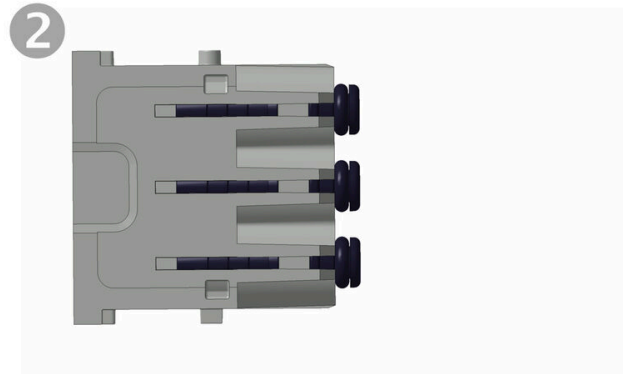
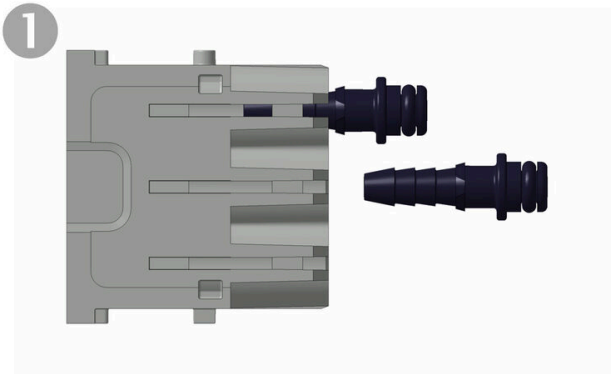
Version

Type of connection	Hose connection (pneumatic)	Conductor cross-section, max.	0 mm ²
Conductor cross-section, min.	0 mm ²		

Classifications

ETIM 8.0	EC000438	ETIM 9.0	EC000438
ETIM 10.0	EC000438	ECLASS 14.0	27-44-02-20
ECLASS 15.0	27-44-02-20		

Drawings



HDC MPN 3

Weidmüller Interface GmbH & Co. KG

Klingenbergstraße 26

D-32758 Detmold

Germany

www.weidmueller.com

Accessories

Pneumatic contacts



Make your connections fit for the future With the advanced solutions from RockStar® ModuPlug Industrial applications are becoming increasingly complex. The demands being made of the connectivity used are growing at the same time. Functionality in the smallest of installation spaces, safe installation and a fast retrofitting process are just some of the product properties being called for. Not only does our RockStar® ModuPlug modular plug-in connector system meet current market requirements; it has been specially designed with the future in mind too. Using the individual modules, you combine all the necessary functions for power, signal and data transmission in a single interface. Thanks to the new variety of module sizes, you can fit more applications than ever before in one plug-in connector. The modules reduce the amount of space required and cut costs when compared with fixed-pole inserts and other modular plug-in connector systems. The sophisticated frames and modules can be installed with extreme ease and integrated into HDC enclosures with the IP65 and IP68 protection classes. You can even use the RockStar® ModuPlug to supplement existing applications without any need to make system adjustments. As an experienced Industrial Connectivity partner, Weidmüller offers ultra-modern connectivity with maximum reliability. So you can create customised solutions for future-proof connections with RockStar® too.

General ordering data

Type	HDC MPN 1.6 F	Version
Order No.	2637480000	Pneumatic contact, Contact with valve: No
GTIN (EAN)	4050118654721	
Qty.	10 ST	
Type	HDC MPN 1.6 M	Version
Order No.	2637470000	Pneumatic contact, Contact with valve: No
GTIN (EAN)	4050118654714	
Qty.	10 ST	
Type	HDC MPN 1.6 SOF	Version
Order No.	2637490000	Pneumatic contact, Contact with valve: Yes
GTIN (EAN)	4050118654738	
Qty.	10 ST	
Type	HDC MPN 3.0 F	Version
Order No.	2637450000	Pneumatic contact, Contact with valve: No
GTIN (EAN)	4050118654592	
Qty.	10 ST	
Type	HDC MPN 3.0 M	Version
Order No.	2637440000	Pneumatic contact, Contact with valve: No
GTIN (EAN)	4050118654585	
Qty.	10 ST	
Type	HDC MPN 3.0 SOF	Version
Order No.	2637460000	Pneumatic contact, Contact with valve: Yes
GTIN (EAN)	4050118654707	
Qty.	10 ST	

HDC MPN 3

Weidmüller Interface GmbH & Co. KG
Klingenbergstraße 26
D-32758 Detmold
Germany

www.weidmueller.com

Accessories

Type	HDC MPN 4.0 F	Version
Order No.	2637420000	Pneumatic contact, Contact with valve: No
GTIN (EAN)	4050118654561	
Qty.	10 ST	
Type	HDC MPN 4.0 M	Version
Order No.	2637410000	Pneumatic contact, Contact with valve: No
GTIN (EAN)	4050118654554	
Qty.	10 ST	
Type	HDC MPN 4.0 SOF	Version
Order No.	2637430000	Pneumatic contact, Contact with valve: Yes
GTIN (EAN)	4050118654578	
Qty.	10 ST	