

VPU AC I 1+1 300/12.5 LCF

Weidmüller Interface GmbH & Co. KG

Klingenbergstraße 26

D-32758 Detmold

Germany

www.weidmueller.com



Weidmüller VPU I (Type I), VPU II (Type II) and VPU III (Type III) surge protection products effectively reduce the interference coupling that can occur due to transient surge voltages, even significantly below the limits prescribed by insulation co-ordination according to EN 60664-3 / DIN VDE 0110-3. This means that the whole installation is exposed to fewer malfunctions. The arresters are co-ordinated using technical means. This means that decoupling between Types I, II and III is unnecessary. The arresters are tested according to product standard IEC 61643-11 / DIN EN 61643-11 and can be installed in systems according to IEC 61643-12 / VDE 0675-6-12 and IEC 62305-4 / VDE 0185-4. This lightning and surge protection device is suited for installation in power supply systems. Weidmüller offers different products depending on the particular mains network type and voltage level. A special Type I and Type II protective device is even available for photovoltaic applications.

General ordering data

Version	Surge voltage arrester, Low voltage, Surge protection, Single-phase, TN, TT, IT with N, IT without N
Order No.	2636930000
Type	VPU AC I 1+1 300/12.5 LCF
GTIN (EAN)	4050118678963
Qty.	1 items

VPU AC I 1+1 300/12.5 LCF

Weidmüller Interface GmbH & Co. KG
 Klingenbergstraße 26
 D-32758 Detmold
 Germany

www.weidmueller.com

Technical data

Approvals

Approvals



ROHS	Conform
UL File Number Search	UL Website
Certificate No. (cURus)	E354261

Dimensions and weights

Depth	91 mm	Depth (inches)	3.5827 inch
Height	90 mm	Height (inches)	3.5433 inch
Width	36 mm	Width (inches)	1.4173 inch
Net weight	309 g		

Temperatures

Storage temperature	-40 °C...85 °C	Ambient temperature	...85 °C
Operating temperature	-40 °C...85 °C	Humidity	5 - 95% rel. humidity

Environmental Product Compliance

RoHS Compliance Status	Compliant without exemption
REACH SVHC	No SVHC above 0.1 wt%

Rated data UL

Ambient temperature (operational), max. 85 °C	Rated Voltage UN	240 V
VPR (N-PE)	MCOV (L-PE)	300 V
MCOV (N-PE)	In	20 kA
Category	Ambient temperature (operational), min. -40 °C	
Certificate No. (cURus)	MODE	L-N, L-G, N-G
Measured. Limiting Voltage	VPR (L-N)	1220 V
VPR (L-PE)	Voltage type	AC

Connection data, remote alert

Connection type	PUSH IN
-----------------	---------

General data

Optical function display	green = OK; red = arrester is defective - replace	Segment	Power distribution
Version	Surge protection	Design	Installation housing; 2TE, Insta IP 20
UL 94 flammability rating	V-0	Colour	orange, black, blue
Suitable for	Count-in installation (leakage current free)	Protection degree	IP20 in installed state
Mounting rail	TS 35	Operating altitude	≤ 4000 m

Insulation coordination acc. to EN 50178

Surge voltage category	IV, III, II, I	Pollution severity	2
------------------------	----------------	--------------------	---

VPU AC I 1+1 300/12.5 LCF

Weidmüller Interface GmbH & Co. KG

 Klingenbergstraße 26
 D-32758 Detmold
 Germany

www.weidmueller.com

Technical data

Rated data IEC / EN

Number of poles	2	Leakage current at U_n	1 μ A
Signalling contact	No	Rated voltage (AC)	230 V
Low voltage network	Single-phase, TN, TT, IT with N, IT without N	Protection level Up at IN (N-PE)	\leq 1.5 kV
Voltage type	AC	Temporary surge voltage (over-voltage) - TOV	442 V
Response time / fallback time	\leq 25 ns	Frequency range, max.	60 Hz
Frequency range, min.	50 Hz	Suitable for	Count-in installation (leakage current free)
Standards	IEC 61643-11, EN 61643-11, UL 1449	Lightning test current limp (10/350 μ s) (L-PE)	12.5 kA
Lightning test current, limp (10/350 μ s) (N-PE)	50 kA	Requirements class, acc. to EN 61643-11	T1, T2
Requirements category acc. to IEC 61643-11	Type I, Type II	Max. continuous voltage, U_c (AC)	300 V
Max. continuous voltage, U_c (N-PE)	305 V	Mains voltage	230 V / 400 V
Discharge current I_{max} (8/20 μ s) N-PE	50 kA	Discharge current I_n (8/20 μ s) N-PE	50 kA
Energy coordination (\leq 10 m)	Type I, Type II, Type III	Discharge current I_n (8/20 μ s) wire-PE	20 kA
Discharge current I_{max} (8/20 μ s) wire-PE	65 kA	Protection level Up at IN (L/N-PE)	\leq 1.5 kV
Short-circuit current rating ISCCR	50 kA	Follow-on current extinguishing capability I_{fi}	Not available due for technical reasons
Integrated back-up fuse	No		

Connection data

Stripping length	18 mm	Wire connection method	Screw connection
Type of connection	Screw connection	Stripping length, rated connection	18 mm
Tightening torque, min.	3 Nm	Tightening torque, max.	4.5 Nm
Clamping range, rated connection	16 mm ²	Clamping range, min.	1.5 mm ²
Clamping range, max.	35 mm ²	Wire cross-section, solid, min.	1.5 mm ²
Wire cross-section, solid, max.	35 mm ²	Wire connection cross section, finely stranded, min.	1.5 mm ²
Wire connection cross section, finely stranded, max.	25 mm ²	Connection cross-section, stranded, min.	1.5 mm ²
Connection cross-section, stranded, max.	35 mm ²		

Electrical data

Voltage type	AC
--------------	----

General data

Number of poles	2	Protection degree	IP20 in installed state
Colour	orange, black, blue		

Guarantee

Time interval	5 years
---------------	---------

Important note

Product information	Only applicable to IT power systems where the earth on the distribution transformer is interconnected with the earth on the consumer side (RE=RA in Figure 44.A1 of IEC 60634-4-44:2018). For use in DC applications, please use the fuse of SIBA Type NH2XL aR/aSF DC 1500 V
---------------------	---

VPU AC I 1+1 300/12.5 LCF

Weidmüller Interface GmbH & Co. KG
Klingenbergstraße 26
D-32758 Detmold
Germany

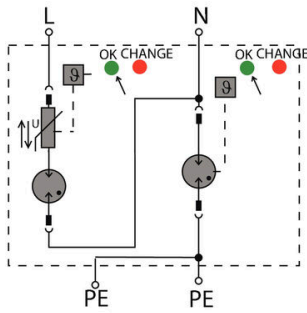
www.weidmueller.com

Technical data

Classifications

ETIM 8.0	EC001457	ETIM 9.0	EC001457
ETIM 10.0	EC001457	ECLASS 14.0	27-17-12-04
ECLASS 15.0	27-17-12-04		

Electric symbol



Schematic circuit diagram

VPU AC I 1+1 300/12.5 LCF

Weidmüller Interface GmbH & Co. KG
 Klingenbergstraße 26
 D-32758 Detmold
 Germany

www.weidmueller.com

Accessories

Crosshead screwdriver Phillips



VDE insulated crosshead screwdriver, for Phillips screws, SDIK PH DIN 7438, ISO 8764/2-PH, output to ISO 8764-PH, SoftFinish grip

General ordering data

Type	SDIK PH1 X 80	Version	
Order No.	2749890000	Screwdriver, Blade width (B): 1 mm, 80 mm, Blade thickness (A): 1	
GTIN (EAN)	4050118897098		
Qty.	1 ST		

Slotted screwdriver



VDE insulated slot-head screwdriver, SDI DIN 7437, ISO 2380/2, drive output acc. to DIN 5264, ISO 2380/1. SoftFinish grip

General ordering data

Type	SDIS 1.0X5.5X125	Version	
Order No.	2749850000	Screwdriver, Blade width (B): 5.5 mm, Blade length: 125 mm, Blade thickness (A): 1 mm	
GTIN (EAN)	4050118897050		
Qty.	1 ST		

Blank



ESG is the tried-and-tested marker in MultiCard format for use on many well-known electrical devices. The result is high-quality device marking with a high-contrast appearance.

Various types are available for devices from manufacturers like Siemens, ABB, Beckhoff etc.

Advantages at a glance:

- Tags for universal usage, self-adhesive or clip-on tags, depending on type
- For aligned equipment, e.g. circuit breakers, we supply ESG markers for clipping onto tag rails
- Individual laser-quality printing according to specifications

For custom printing: Please send us a file of our labeling software M-Print PRO or M-Print PRO Online (without installation) for your labeling specifications.

VPU AC I 1+1 300/12.5 LCF

Weidmüller Interface GmbH & Co. KG
Klingenbergstraße 26
D-32758 Detmold
Germany

www.weidmueller.com

Accessories

General ordering data

Type	ESG 6/15 K MC NE WS	Version	
Order No.	1880100000	ESG, Device markers x 15 mm, PA 66, Colour: white, Self-adhesive	
GTIN (EAN)	4032248478781		
Qty.	200 ST		

VPU Series

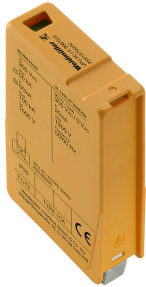


Extensive accessories round off the product range

General ordering data

Type	VPU AC EXTENDER	Version	
Order No.	3123500000		
GTIN (EAN)	4099987270175		
Qty.	8 ST		

Spare arrester



In the event of a defective arrester, you can easily reorder this spare arrester, replace the defective arrester and thus restore protection.

General ordering data

Type	VPU AC I 0 300/12.5 LCF	Version	
Order No.	2636900000	, Surge protection	
GTIN (EAN)	4050118679243		
Qty.	1 ST		
Type	VPU AC I 0 N-PE 305/50	Version	
Order No.	2591590000	Spare arrester, Surge protection	
GTIN (EAN)	4050118599350		
Qty.	1 ST		

VPU AC I 1+1 300/12.5 LCF

Weidmüller Interface GmbH & Co. KG
Klingenbergstraße 26
D-32758 Detmold
Germany

www.weidmueller.com

Accessories

VPU Series



Extensive accessories round off the product range

General ordering data

Type	VPU LOCKING CLIP L	Version	
Order No.	2735070000		
GTIN (EAN)	4050118816402		
Qty.	10 ST		