

## RJ45M R1V 3.3N4N TY

**Weidmüller Interface GmbH & Co. KG**

Klingenbergstraße 26

D-32758 Detmold

Germany

www.weidmueller.com



RJ45 transmitter sockets (magnetics) for gigabit applications (1000 base-T) with integrated compensation actively counteracts inductive and capacitive couplings and saves space on the PCB.

The product range encompasses the following designs:

- 90°, lying (horizontal) and 180°, standing (vertical)
- latch up / latch down
- THT, THR or SMD soldering processes
- Wide range of different design types, also with integrated LEDs and shield contact tabs
- Transmission rates of up to 1 Gbps
- Packed either in a tray (TY) or on a roll (tape-on-reel, RL)
- Compatible with modular RJ45 connector according to ANSI / TIA-1096-A and IEC 60603
- Dielectric strength  $\geq 1500$  V AC RMS (2250 V AC peak value) according to IEEE 802.3
- Dielectric strength  $\geq 1500$  V AC (peak value) or  $\geq 1500$  V DC according to IEC 60603
- Compliance with IEEE 802.3 requirements (1000Base-T, 1 Gbps, IEEE 802.3ab or 100Base-Tx, 100 Mbps, IEEE 802.3u) Properties and advantages:
  - Extended temperature range of  $-40$  °C to  $+85$  °C for maximum performance
  - Reinforced gold layer ( $30\mu\text{m}$ ) for improved corrosion protection
  - At least 0.3mm stand-off ensures a perfect soldering result

### General ordering data

Version	OMNIMATE Data - RJ45 transformer jack, PCB plug-in connector, THT/THR solder connection, 180°, No, Plugging cycles: 750, Number of poles: 8, PA 9T, Tray (manual assembly)
Order No.	<a href="#">2636810000</a>
Type	RJ45M R1V 3.3N4N TY
GTIN (EAN)	4050118655834
Qty.	120 items
Packaging	Tray (manual assembly)

## RJ45M R1V 3.3N4N TY

Weidmüller Interface GmbH & Co. KG  
Klingenbergstraße 26  
D-32758 Detmold  
Germany

www.weidmueller.com

## Technical data

## Approvals

Approvals	CURUS
ROHS	Conform
UL File Number Search	<a href="#">UL Website</a>
Certificate No. (cURus)	E471884

## Dimensions and weights

Depth	16.8 mm	Depth (inches)	0.6614 inch
Height	17 mm	Height (inches)	0.6693 inch
Width	16 mm	Width (inches)	0.6299 inch
Net weight	5.42 g		

## Environmental Product Compliance

RoHS Compliance Status	Compliant without exemption
REACH SVHC	No SVHC above 0.1 wt%

## System specifications

Number of poles	8	LED	No
Solder pin length (l)	3.3 mm	Mounting onto the PCB	THT/THR solder connection
Pitch in inches (P)	0.050 "	Shielding	Yes
Side termination, characteristic	Solder flange	Transmission rate	100 MBit/s
Type of connection	Solder connection	Product family	OMNIMATE Data - RJ45 transformer jack
Pitch in mm (P)	1.27 mm	Protection degree	IP20
Plugging cycles	750	Outgoing elbow	180°
Performance-Category	100 MBit/s	Soldering process	Reflow soldering, Manual soldering, Wave soldering
Solder pin dimensions	Octagonal	Tolerance of solder pin position	± 0.1 mm

## Electrical properties

Dielectric strength, contact / shield	1500 V DC	Dielectric strength, contact / contact	1000 V DC
Insulation resistance	≥ 500 MΩ	Nominal voltage	125 V
Rated current	1.5 A		

## Standards

Connector standard	IEC 60603-7
--------------------	-------------

## Material data

Insulating material	PA 9T	Colour	black
Colour chart (similar)	RAL 9011	Insulation resistance	≥ 500 MΩ
Moisture Level (MSL)	1	UL 94 flammability rating	V-0
Contact material	Cu-alloy	Contact surface	Gold over nickel
Storage temperature, min.	-40 °C	Storage temperature, max.	85 °C
Operating temperature, min.	-40 °C	Operating temperature, max.	85 °C

## Packing

Packaging	Tray (manual assembly)	VPE length	317.00 mm
VPE width	190.00 mm	VPE height	69.00 mm

**RJ45M R1V 3.3N4N TY**

**Weidmüller Interface GmbH & Co. KG**  
Klingenbergstraße 26  
D-32758 Detmold  
Germany

[www.weidmueller.com](http://www.weidmueller.com)

**Technical data**

**Important note**

Notes

**Classifications**

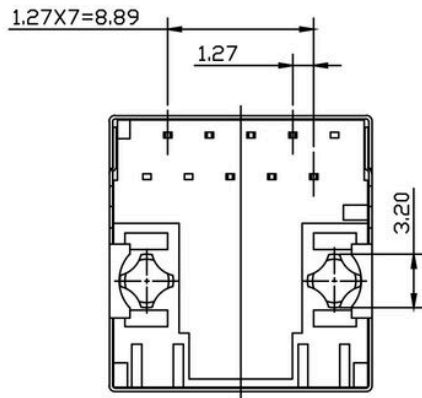
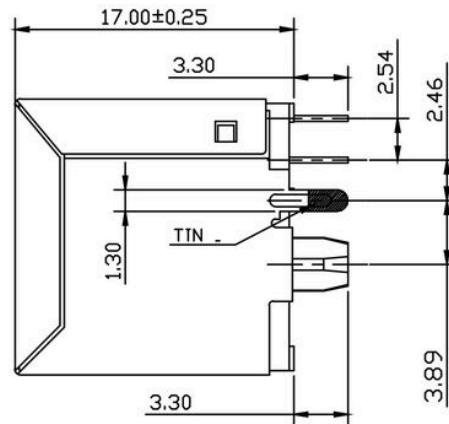
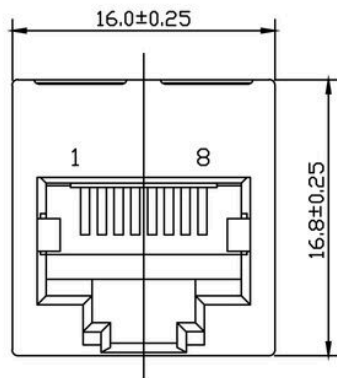
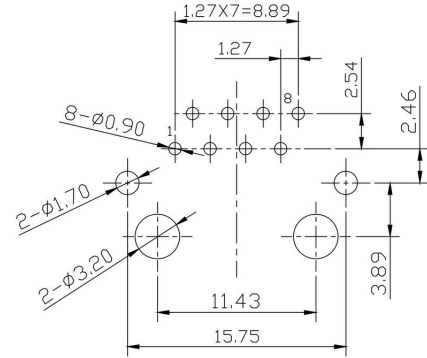
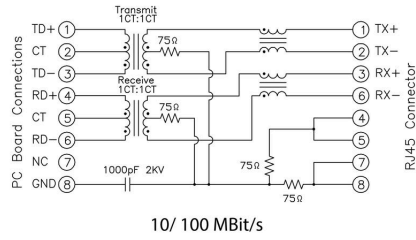
ETIM 8.0	EC002637	ETIM 9.0	EC002637
ETIM 10.0	EC002637	ECLASS 14.0	27-46-02-01
ECLASS 15.0	27-46-02-01		

RJ45M R1V 3.3N4N TY

Weidmüller Interface GmbH & Co. KG  
 Klingenbergstraße 26  
 D-32758 Detmold  
 Germany

Drawings

www.weidmueller.com



RJ45M R1V 3.3N4N TY

**Weidmüller Interface GmbH & Co. KG**  
 Klingenbergstraße 26  
 D-32758 Detmold  
 Germany

Drawings

www.weidmueller.com

Code	Parameter	Value	Description
RJ45			
G1			
R			
1			
U			
3.2			
E			
4			
GY/GY			
TY			
	RJ45G1 R1U 3.2E4GY/GY TY		
	<b>Packaging</b>	<b>TY</b> <b>RL</b>	Tray in box (manual assembly) Tape on Reel (automated assembly)
	<b>LED</b>	<b>Y/G</b> <b>G/Y</b> <b>GY/GY</b> <b>O/G</b> <b>R/O</b> ... <b>N</b>	Yellow/Green Green/Yellow (standard) Green-Yellow/Green-Yellow Orange/Green Red/Orange .. (further combinations possible) without LED
	<b>Contact surface thickness</b>	<b>4</b>	1 = 3µ", 2 = 6µ", 3 = 15µ", 4 = 30µ", 5 = 50µ"
	<b>EMI tabs (ground fingers)</b>	<b>E</b> <b>N</b>	<b>E</b> = with EMI tabs <b>N</b> = without EMI tabs
	<b>Solder Pin length</b>	<b>3.2</b> <b>1.6</b> <b>D</b>	3.2 mm 1.6 mm SMD
	<b>Direction, latch style</b>	<b>U</b> <b>D</b> <b>V</b> <b>Y</b>	Horizontal (90°, side entry), latch up Horizontal (90°, side entry), latch down Vertical (180°, top entry) Diagonal (45°), latch up
	<b>Number of Ports</b>	<b>1</b> <b>12; 14; ...</b> <b>21; 41; ...</b>	1 Port multi ports side by side, Multiport multi ports about each other, Multilevel
	<b>Assembly on PCB</b>	<b>R</b> <b>S</b> <b>T</b>	Through Hole Reflow - THR Soldering process: Wave or Reflow soldering Surface Mount Technology - SMT Soldering process: Reflow soldering Through Hole Technology - THT Soldering process: Wave
	<b>Performance Category</b>	<b>C5</b> <b>C6</b> <b>C6A</b> <b>C6e</b> <b>M</b> <b>G1</b> <b>G10</b> <b>U</b> <b>MP</b> <b>MP+</b>	Category 5 Category 6 Category 6A Category 6e 10/100 Mbit 10/100/1000 Mbit 10 Gbit Unshielded 10/100 Mbit with POE 10/100 Mbit with POE+

Type codes

## RJ45M R1V 3.3N4N TY

**Weidmüller Interface GmbH & Co. KG**  
 Klingenbergstraße 26  
 D-32758 Detmold  
 Germany

www.weidmueller.com

## Counterpart

## RJ45 crimp

RJ45 crimp plug-in connector according to IEC 60603-7-51 for wire outer diameters up to 1.05 mm



## General ordering data

Type	IE-P	Version
Order No.	<a href="#">8813100000</a>	RJ45 plug-in connector, without kink protection; 5.5 - 7.1 mm,
GTIN (EAN)	4032248512850	Cat.6A / Class EA (ISO/IEC 11801 2010), IP20
Qty.	100 ST	
Type	IE-P63	Version
Order No.	<a href="#">8813110000</a>	RJ45 plug-in connector, with kink protection; 5.5 - 6.2 mm, Cat.6A /
GTIN (EAN)	4032248512867	Class EA (ISO/IEC 11801 2010), IP20
Qty.	10 ST	
Type	IE-P70	Version
Order No.	<a href="#">8813120000</a>	RJ45 plug-in connector, with kink protection; 6.2 - 7.1 mm, Cat.6A /
GTIN (EAN)	4032248512874	Class EA (ISO/IEC 11801 2010), IP20
Qty.	10 ST	
Type	IE-PM-RJ45-TH	Version
Order No.	<a href="#">1963580000</a>	RJ45 crimp plug, Plug without bending protection sleeve, Cat.6A /
GTIN (EAN)	4032248645688	Class EA (ISO/IEC 11801 2010)
Qty.	100 ST	
Type	IE-PS-RJ45-TH-BK	Version
Order No.	<a href="#">1963590000</a>	RJ45 crimp plug, Plug with bending protection sleeve in black,
GTIN (EAN)	4032248645695	Cat.6A / Class EA (ISO/IEC 11801 2010)
Qty.	10 ST	
Type	IE-PS-RJ45-TH-BK-P	Version
Order No.	<a href="#">2584980000</a>	RJ45 crimp plug, with kink protection; 6.5 - 7.5 mm, Cat.5 (ISO/IEC
GTIN (EAN)	4050118593556	11801)
Qty.	10 ST	

## straight

RJ45 plug-in connector (no tools required) according to IEC 60603-7-51.



## RJ45M R1V 3.3N4N TY

**Weidmüller Interface GmbH & Co. KG**  
 Klingenbergstraße 26  
 D-32758 Detmold  
 Germany

www.weidmueller.com

## Counterpart

## General ordering data

Type	IE-PS-RJ45-FH-180-A-1.1	Version
Order No.	<a href="#">1992850000</a>	RJ45 plug with piercing contacts, straight, Cat.6A / Class EA (ISO/
GTIN (EAN)	4050118378115	IEC 11801 2010), EIA/TIA T568 A
Qty.	1 ST	
Type	IE-PS-RJ45-FH-180-A-1.6	Version
Order No.	<a href="#">1992820000</a>	RJ45 plug with piercing contacts, straight, Cat.6A / Class EA (ISO/
GTIN (EAN)	4050118377897	IEC 11801 2010), EIA/TIA T568 A
Qty.	1 ST	
Type	IE-PS-RJ45-FH-180-B-1.1	Version
Order No.	<a href="#">1992860000</a>	RJ45 plug with piercing contacts, straight, Cat.6A / Class EA (ISO/
GTIN (EAN)	4050118378108	IEC 11801 2010), EIA/TIA T568 B
Qty.	1 ST	
Type	IE-PS-RJ45-FH-180-B-1.6	Version
Order No.	<a href="#">1992830000</a>	RJ45 plug with piercing contacts, straight, Cat.6A / Class EA (ISO/
GTIN (EAN)	4050118377972	IEC 11801 2010), EIA/TIA T568 B
Qty.	1 ST	
Type	IE-PS-RJ45-FH-180-P-1.6	Version
Order No.	<a href="#">1992840000</a>	RJ45 plug with piercing contacts, straight, Cat.5 (ISO/IEC 11801),
GTIN (EAN)	4050118378023	PROFINET
Qty.	1 ST	

## angled with cable gland

RJ45 plug-in connector (no tools required) according to IEC 60603-7-51.



## General ordering data

Type	IE-PS-RJ45-FH-90-A-1.1	Version
Order No.	<a href="#">1518080000</a>	RJ45 plug with piercing contacts, angled, 4x90°, Cat.6A / Class EA
GTIN (EAN)	4050118324969	(ISO/IEC 11801 2010), EIA/TIA T568 A
Qty.	1 ST	
Type	IE-PS-RJ45-FH-90-A-1.6	Version
Order No.	<a href="#">1992870000</a>	RJ45 plug with piercing contacts, angled, 4x90°, Cat.6A / Class EA
GTIN (EAN)	4050118378054	(ISO/IEC 11801 2010), EIA/TIA T568 A
Qty.	1 ST	
Type	IE-PS-RJ45-FH-90-B-1.1	Version
Order No.	<a href="#">1518090000</a>	RJ45 plug with piercing contacts, angled, 4x90°, Cat.6A / Class EA
GTIN (EAN)	4050118325300	(ISO/IEC 11801 2010), EIA/TIA T568 B
Qty.	1 ST	
Type	IE-PS-RJ45-FH-90-B-1.6	Version
Order No.	<a href="#">1992890000</a>	RJ45 plug with piercing contacts, angled, 4x90°, Cat.6A / Class EA
GTIN (EAN)	4050118378122	(ISO/IEC 11801 2010), EIA/TIA T568 B
Qty.	1 ST	

## RJ45M R1V 3.3N4N TY

**Weidmüller Interface GmbH & Co. KG**  
 Klingenbergstraße 26  
 D-32758 Detmold  
 Germany

[www.weidmueller.com](http://www.weidmueller.com)

## Counterpart

Type	IE-PS-RJ45-FH-90-P-1.6	Version
Order No.	<a href="#">1518100000</a>	RJ45 plug with piercing contacts, angled, 4x90°, Cat.5 (ISO/IEC 11801), PROFINET
GTIN (EAN)	4050118325232	
Qty.	1 ST	

## RJ45 tool-free



RJ45 plug-in connector (tool-less) according to IEC 60603-7-51 for wire outer diameters up to 1.6 mm

## General ordering data

Type	IE-PS-RJ45-FH-BK	Version
Order No.	<a href="#">1963600000</a>	RJ45 IDC plug, Cat.6A / Class EA (ISO/IEC 11801 2010), 8-core, 4-core, EIA/TIA T568 A, EIA/TIA T568 B, PROFINET
GTIN (EAN)	4032248645725	
Qty.	10 ST	
Type	IE-PS-RJ45-FH-BK-A	Version
Order No.	<a href="#">1132040000</a>	RJ45 IDC plug, Cat.6A / Class EA (ISO/IEC 11801 2010), 8-core, EIA/TIA T568 A
GTIN (EAN)	4032248912155	
Qty.	10 ST	
Type	IE-PS-RJ45-FH-BK-B	Version
Order No.	<a href="#">1132050000</a>	RJ45 IDC plug, Cat.6A / Class EA (ISO/IEC 11801 2010), 8-core, EIA/TIA T568 B
GTIN (EAN)	4032248912148	
Qty.	10 ST	
Type	IE-PS-RJ45-FH-BK-P	Version
Order No.	<a href="#">1132060000</a>	RJ45 IDC plug, Cat.5 (ISO/IEC 11801), 4-core, PROFINET
GTIN (EAN)	4032248912162	
Qty.	10 ST	