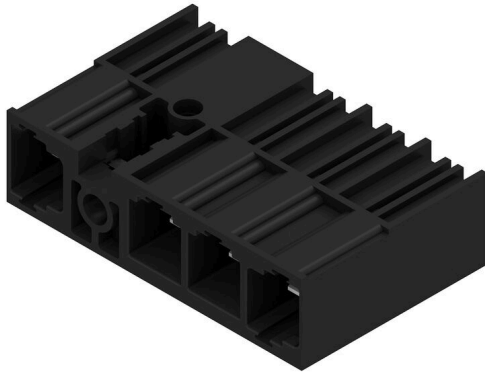


SU 10.16IT/04/90MSF2 3.5AG BK BX

Weidmüller Interface GmbH & Co. KG
 Klingenbergstraße 26
 D-32758 Detmold
 Germany

www.weidmuller.com

Product image



Male header with middle solder flange fastening in 10.16 pitch for 400-V IT systems according to IEC 61800-5-1. UL approval in compliance with UL840 (600 V) when using leading contact. When used together with the BUZ 10.16 IT, they comply with the expanded requirements for 5.5 mm of touch protection with IT systems (400 V relative to earth), according to IEC 61800-5-1. The middle-flange interlock feature decreases the space required by one pitch width when compared to other standard solutions. Available on request with screw flange or without flange.

General ordering data

| | |
|--------------|---|
| Version | PCB plug-in connector, male header, THT solder connection, 10.16 mm, Number of poles: 4, 90°, Solder pin length (l): 3.5 mm, tinned, black, Box |
| Order No. | 2630150000 |
| Type | SU 10.16IT/04/90MSF2 3.5AG BK BX |
| GTIN (EAN) | 4050118633825 |
| Qty. | 36 items |
| Product data | IEC: 1000 V / 78.3 A UL: |
| Packaging | Box |

SU 10.16IT/04/90MSF2 3.5AG BK BX

Weidmüller Interface GmbH & Co. KG
 Klingenbergstraße 26
 D-32758 Detmold
 Germany

www.weidmueller.com

Technical data

Approvals

ROHS Conform

Dimensions and weights

Net weight 19.65 g

Environmental Product Compliance

RoHS Compliance Status Compliant without exemption
 REACH SVHC No SVHC above 0.1 wt%

System specifications

| | |
|--|---------------------------------------|
| Product family | OMNIMATE Power - series BU/SU 10.16IT |
| Type of connection | Board connection |
| Mounting onto the PCB | THT solder connection |
| Pitch in mm (P) | 10.16 mm |
| Pitch in inches (P) | 0.400 " |
| Outgoing elbow | 90° |
| Number of poles | 4 |
| Solder pin length (l) | 3.5 mm |
| Solder pin length tolerance | +0.1 / -0.3 mm |
| Solder pin dimensions | 1.2 x 1.1 mm |
| Solder pin dimensions = d tolerance | +0.1 / -0.1 mm |
| L1 in mm | 40.64 mm |
| L1 in inches | 1.600 " |
| Pin series quantity | 1 |
| Tightening torque for screw flange, min. | 0.3 Nm |
| Tightening torque for screw flange, max. | 0.4 Nm |

| Tightening torque | Torque type | Mounting screw, PCB | |
|-------------------|---|---------------------|--|
| | Usage information | Thickness | |
| | | Thickness | min. 1.44 mm |
| | | | max. 1.76 mm |
| | | Tightening torque | min. 0.25 Nm |
| | | | max. 0.3 Nm |
| | | Recommended screw | Part number SU 10.16 BFSC P 35X 14 |
| | | | |
| | | Thickness | min. 2.88 mm |
| | | | max. 3.52 mm |
| | | Tightening torque | min. 0.2 Nm |
| | | | max. 0.25 Nm |
| | | Recommended screw | Part number SU 10.16 BFSC P 35X 14 |
| | | | |
| Thickness | min. 1.44 mm | | |
| | max. 3.52 mm | | |
| Tightening torque | min. 0.8 Nm | | |
| | max. 0.9 Nm | | |
| Recommended screw | Part number SU 10.16 BFSC S 35X12 | | |
| | | | |

Material data

| | | | |
|------------------------|----------|----------------------|-------|
| Insulating material | PA GF | Colour | black |
| Colour chart (similar) | RAL 9011 | Moisture Level (MSL) | |

SU 10.16IT/04/90MSF2 3.5AG BK BX

Weidmüller Interface GmbH & Co. KG
 Klingenbergstraße 26
 D-32758 Detmold
 Germany

www.weidmueller.com

Technical data

| | | | |
|---------------------------------------|-----------|---------------------------------------|-----------|
| UL 94 flammability rating | V-0 | Contact material | Cu-alloy |
| Contact surface | tinned | Layer structure of solder connection | ≥ 3 µm Ag |
| Layer structure of plug contact | ≥ 3 µm Ag | Storage temperature, min. | -40 °C |
| Storage temperature, max. | 70 °C | Operating temperature, min. | -50 °C |
| Operating temperature, max. | 120 °C | Temperature range, installation, min. | -25 °C |
| Temperature range, installation, max. | 120 °C | | |

Rated data acc. to IEC

| | | | |
|--|---------|---|--------|
| Rated current, min. number of poles (Tu=20°C) | 78.3 A | Rated current, max. number of poles (Tu=20°C) | 67.9 A |
| Rated current, min. number of poles (Tu=40°C) | 70.6 A | Rated current, max. number of poles (Tu=40°C) | 61.3 A |
| Rated voltage for surge voltage class / pollution degree II/2 | 1000 V | Rated voltage for surge voltage class / pollution degree III/2 | 1000 V |
| Rated impulse voltage for surge voltage class/ pollution degree II/2 | 6000 V | Rated impulse voltage for surge voltage class/ pollution degree III/2 | 8 kV |
| Creepage distance, min. | 10.5 mm | Clearance, min. | 8.9 mm |

Rated data acc. to UL 1059

| | | | |
|-------------------------|---------|--------------------------|--------|
| Creepage distance, min. | 10.5 mm | Clearance distance, min. | 8.9 mm |
|-------------------------|---------|--------------------------|--------|

Packing

| | | | |
|-----------|-----------|------------|-----------|
| Packaging | Box | VPE length | 352.00 mm |
| VPE width | 137.00 mm | VPE height | 50.00 mm |

Important note

| | |
|----------------|--|
| IPC conformity | Conformity: The products are developed, manufactured and delivered according international recognized standards and norms and comply with the assured properties in the data sheet resp. fulfill decorative properties in accordance with IPC-A-6 10 "Class 2". Further claims on the products can be evaluated on request. |
| Notes | <ul style="list-style-type: none"> • Additional variants on request • Rated current related to rated cross-section & min. No. of poles. • P on drawing = pitch • Rated data refer only to the component itself. Clearance and creepage distances to other components are to be designed in accordance with the relevant application standards. • For all applications with flange we recommend to fix the pin header with the help of the soldering flange or a self-tapping screw on the board. • In accordance with IEC 61984, OMNIMATE-connectors are connectors without breaking capacity (COC). During designated use, connectors are not allowed to be engaged or disengaged when live or under load • Long term storage of the product with average temperature of 50 °C and maximum humidity 70%, 36 months |

Classifications

| | | | |
|-------------|-------------|-------------|-------------|
| ETIM 8.0 | EC002637 | ETIM 9.0 | EC002637 |
| ETIM 10.0 | EC002637 | ECLASS 14.0 | 27-46-02-01 |
| ECLASS 15.0 | 27-46-02-01 | | |

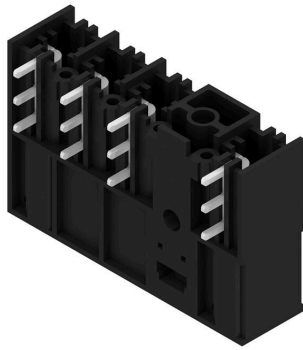
SU 10.16IT/04/90MSF2 3.5AG BK BX

Weidmüller Interface GmbH & Co. KG
 Klingenbergstraße 26
 D-32758 Detmold
 Germany

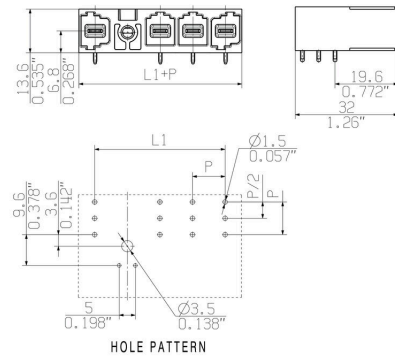
www.weidmueller.com

Drawings

Product image



Dimensional drawing



Example of use



SU 10.16IT/04/90MSF2 3.5AG BK BX

Weidmüller Interface GmbH & Co. KG
 Klingenbergstraße 26
 D-32758 Detmold
 Germany

www.weidmueller.com

Accessories

Coding elements



The pluggable connections for power electronics - optimised for modern drive technologies, e.g. motor starters, frequency converters and servo-controllers. OMNIMATE Power sets the new standard – with increased safety and innovative solutions such as the pluggable shield, integrated signal contacts and one-handed operation.

The three product lines offer you further advantages:

- Application-oriented scalability: from the compact 4 mm² connector for 29 A (IEC) or 20 A (UL) up to the sturdy 16 mm² connector for 76 A (IEC) or 54 A (UL)
- Unlimited usage up to 1,000 V (IEC) or 600 V (UL)
- A variety of application optimised mounting options

Our service:

Design your individual connectors simply by using the product configurator.

General ordering data

| | | |
|------------|----------------------------|---|
| Type | KO BU/SU10.16HP BK | Version |
| Order No. | 1824410000 | PCB plug-in connector, Accessories, Coding element, black, Number |
| GTIN (EAN) | 4032248326716 | of poles: 1 |
| Qty. | 50 ST | |
| Type | KO BU/SU10.16HP WT | Version |
| Order No. | 2592600000 | PCB plug-in connector, Accessories, Coding element, Natural, Number |
| GTIN (EAN) | 4050118717389 | of poles: 1 |
| Qty. | 50 ST | |

Mounting screw

General ordering data

| | | |
|------------|----------------------------|---------------------------------------|
| Type | SU 10.16 BFSC P 35X 14 | Version |
| Order No. | 2812340000 | PCB plug-in connector, Mounting screw |
| GTIN (EAN) | 4064675295495 | |
| Qty. | 50 ST | |
| Type | SU 10.16 BFSC S 35X12 | Version |
| Order No. | 2812290000 | PCB plug-in connector, Mounting screw |
| GTIN (EAN) | 4064675294955 | |
| Qty. | 50 ST | |