

RJ45C5 R1U 1.7N4G/Y RL

Weidmüller Interface GmbH & Co. KG

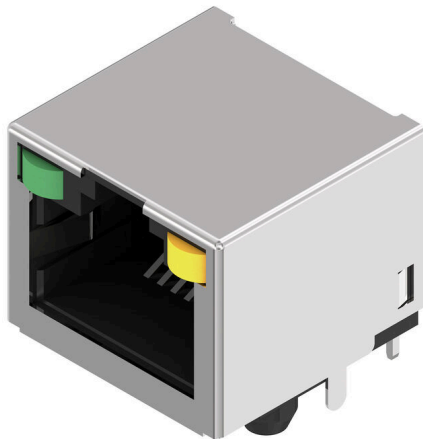
Klingenbergstraße 26

D-32758 Detmold

Germany

www.weidmueller.com

Product image



The product range encompasses the following designs:

- 90°, lying (horizontal) and 180°, standing (vertical)
- latch up / latch down
- THT, THR or SMD soldering processes
- Wide range of different design types, also with integrated LEDs and shield contact tabs
- Performance category Cat. 3 to Cat. 6
- Packed either in a tray (TY) or on a roll (tape-on-reel, RL)
- Compatible with modular RJ45 connector according to ANSI / TIA-1096-A and IEC 60603
- Dielectric strength ≥ 1500 V AC RMS (2250 V AC peak value) according to IEEE 802.3
- Dielectric strength ≥ 1500 V AC (peak value) or ≥ 1500 V DC according to IEC 60603

Properties and advantages:

- Extended temperature range of -40°C to $+85^{\circ}\text{C}$ for maximum performance
- Reinforced gold layer ($30\mu\text{m}$) for improved corrosion protection
- At least 0.3mm stand-off ensures a perfect soldering result

General ordering data

| | |
|------------|---|
| Version | OMNIMATE Data - RJ45 modular jack, PCB plug-in connector, Cat. 5, THT/THR solder connection, 90°, top, none, Yes, Plugging cycles: 750, Number of poles: 8, PA 9T, Tape |
| Order No. | 2626090000 |
| Type | RJ45C5 R1U 1.7N4G/Y RL |
| GTIN (EAN) | 4050118630183 |
| Qty. | 240 items |
| Packaging | Tape |

RJ45C5 R1U 1.7N4G/Y RL

Weidmüller Interface GmbH & Co. KG
Klingenbergstraße 26
D-32758 Detmold
Germany

www.weidmueller.com

Technical data

Approvals

| | |
|-------------------------|----------------------------|
| Approvals | CURUS |
| ROHS | Conform |
| UL File Number Search | UL Website |
| Certificate No. (cURus) | E471884 |

Dimensions and weights

| | | | |
|--------------------------|-------------|-----------------|-------------|
| Depth | 15.7 mm | Depth (inches) | 0.6181 inch |
| Height | 13.1 mm | Height (inches) | 0.5157 inch |
| Height of lowest version | 16.5 mm | Width | 16.4 mm |
| Width (inches) | 0.6457 inch | Net weight | 8.41 g |

Environmental Product Compliance

| | |
|------------------------|-----------------------------|
| RoHS Compliance Status | Compliant without exemption |
| REACH SVHC | No SVHC above 0.1 wt% |

System specifications

| | | | |
|---|-----------------------------------|----------------------------------|--|
| Number of poles | 8 | LED | Yes |
| Solder pin length (l) | 1.7 mm | Mounting onto the PCB | THT/THR solder connection |
| Pitch in inches (P) | 0.050 " | Shielding material | Brass |
| Shielding | Yes | Side termination, characteristic | Solder flange |
| Solder eyelet hole diameter tolerance (D)± 0.1 mm | | Number of solder pins per pole | 1 |
| Type of connection | Solder connection | Category | Cat. 5 |
| Product family | OMNIMATE Data - RJ45 modular jack | Pitch in mm (P) | 1.02 mm |
| Protection degree | IP20 | Plugging cycles | 750 |
| Outgoing elbow | 90° | Forward current | 20 mA |
| Forward voltage, max. | 2.6 V | Shield surface | nickel-plated |
| Colour of right LED | yellow | Shield tabs | none |
| Performance-Category | Cat. 5 | Soldering process | Reflow soldering, Manual soldering, Wave soldering |
| Latch option | top | Solder pin dimensions | Octagonal |
| Tolerance of solder pin position | ± 0.1 mm | Forward voltage, min. | 1.8 V |
| Colour of left LED | green | | |

Electrical properties

| | | | |
|---------------------------------------|----------------------------|--|-----------|
| Dielectric strength, contact / shield | 1500 V DC | Dielectric strength, contact / contact | 1000 V DC |
| Volume resistance | <25 mΩ | Insulation resistance | ≥ 500 MΩ |
| Nominal voltage | 125 V | Rated current | 1.5 A |
| PoE / PoE+ | conforming to IEEE 802.3at | | |

Material data

| | | | |
|----------------------------------|-----------------------|---------------------------|----------|
| Insulating material | PA 9T | Colour | black |
| Colour chart (similar) | RAL 9011 | Insulating material group | II |
| Comparative Tracking Index (CTI) | ≥ 500 | Insulation resistance | ≥ 500 MΩ |
| Moisture Level (MSL) | 1 | UL 94 flammability rating | V-0 |
| Contact base material | Phosphor bronze alloy | Contact material | Cu-alloy |
| Contact surface | Gold over nickel | Storage temperature, min. | -40 °C |

RJ45C5 R1U 1.7N4G/Y RL

Weidmüller Interface GmbH & Co. KG
Klingenbergstraße 26
D-32758 Detmold
Germany

www.weidmueller.com

Technical data

| | | | |
|-----------------------------|-------|-----------------------------|--------|
| Storage temperature, max. | 85 °C | Operating temperature, min. | -40 °C |
| Operating temperature, max. | 85 °C | | |

Packing

| | | | |
|-----------|-----------|------------|-----------|
| Packaging | Tape | VPE length | 359.00 mm |
| VPE width | 354.00 mm | VPE height | 128.00 mm |

Important note

Notes

Classifications

| | | | |
|-------------|-------------|-------------|-------------|
| ETIM 8.0 | EC002637 | ETIM 9.0 | EC002637 |
| ETIM 10.0 | EC002637 | ECLASS 14.0 | 27-46-02-01 |
| ECLASS 15.0 | 27-46-02-01 | | |

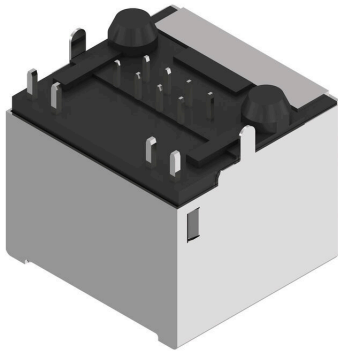
RJ45C5 R1U 1.7N4G/Y RL

Weidmüller Interface GmbH & Co. KG
Klingenbergstraße 26
D-32758 Detmold
Germany

www.weidmueller.com

Drawings

Product image

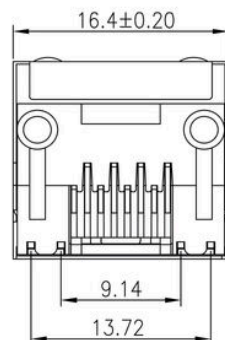
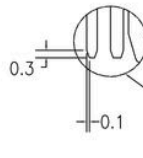
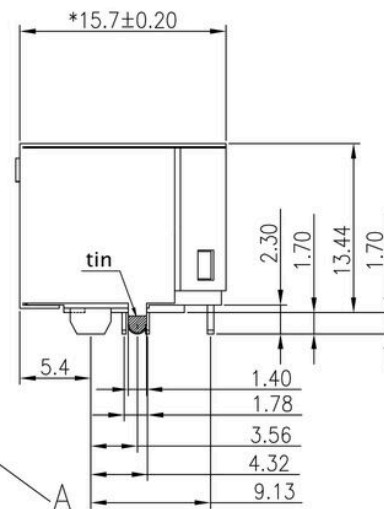
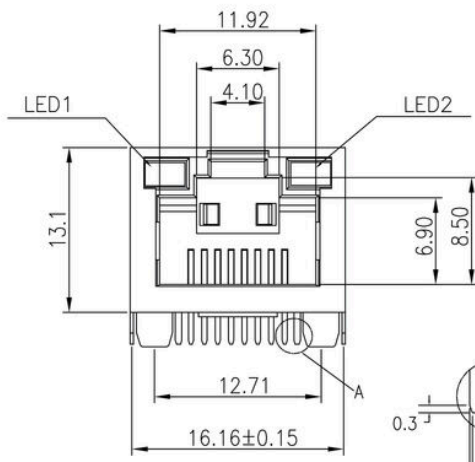
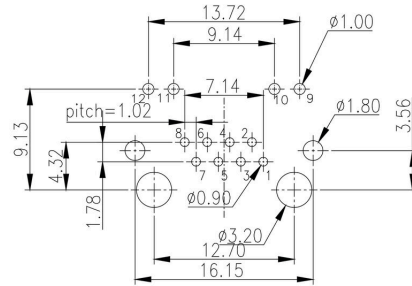
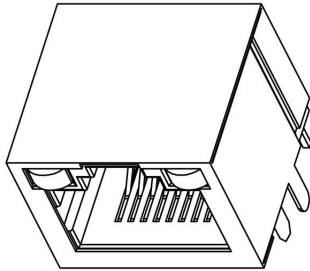


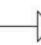
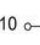
RJ45C5 R1U 1.7N4G/Y RL

Weidmüller Interface GmbH & Co. KG
 Klingenbergstraße 26
 D-32758 Detmold
 Germany

Drawings

www.weidmueller.com



| LED1 | | LED2 | |
|-------|---|--------|---|
| 12 |  | 11 |  |
| green | | yellow | |

RJ45C5 R1U 1.7N4G/Y RL

Weidmüller Interface GmbH & Co. KG
 Klingenbergstraße 26
 D-32758 Detmold
 Germany

Drawings

www.weidmueller.com

| Code | Value | Description | | | | | | | | |
|----------------------------------|----------------------------------|---|--|------------------------------------|-----|---|---|-------|----|--------------------------|
| RJ45 | G1 | R | 1 | U | 3.2 | E | 4 | GY/GY | TY | RJ45G1 R1U 3.2E4GY/GY TY |
| Packaging | TY | Tray in box (manual assembly) | RL | Tape on Reel (automated assembly) | | | | | | |
| LED | Y/G | Yellow/Green | G/Y | Green/Yellow (standard) | | | | | | |
| | GY/GY | Green-Yellow/Green-Yellow | O/G | Orange/Green | | | | | | |
| | R/O | Red/Orange | ... | .. (further combinations possible) | | | | | | |
| | N | without LED | | | | | | | | |
| | Contact surface thickness | 4 | 1 = 3µ", 2 = 6µ", 3 = 15µ", 4 = 30µ", 5 = 50µ" | | | | | | | |
| EMI tabs (ground fingers) | E | E = with EMI tabs | | | | | | | | |
| | N | N = without EMI tabs | | | | | | | | |
| Solder Pin length | 3.2 | 3.2 mm | | | | | | | | |
| | 1.6 | 1.6 mm | | | | | | | | |
| | D | SMD | | | | | | | | |
| Direction, latch style | U | Horizontal (90°, side entry), latch up | | | | | | | | |
| | D | Horizontal (90°, side entry), latch down | | | | | | | | |
| | V | Vertical (180°, top entry) | | | | | | | | |
| | Y | Diagonal (45°), latch up | | | | | | | | |
| Number of Ports | 1 | 1 Port | | | | | | | | |
| | 12; 14; ... | multi ports side by side, Multiport | | | | | | | | |
| | 21; 41; ... | multi ports about each other, Multilevel | | | | | | | | |
| Assembly on PCB | R | Through Hole Reflow - THR | | | | | | | | |
| | S | Soldering process: Wave or Reflow soldering | | | | | | | | |
| | T | Surface Mount Technology - SMT | | | | | | | | |
| | T | Soldering process: Reflow soldering | | | | | | | | |
| Performance Category | C5 | Category 5 | | | | | | | | |
| | C6 | Category 6 | | | | | | | | |
| | C6A | Category 6A | | | | | | | | |
| | C6e | Category 6e | | | | | | | | |
| | M | 10/100 Mbit | | | | | | | | |
| | G1 | 10/100/1000 Mbit | | | | | | | | |
| | G10 | 10 Gbit | | | | | | | | |
| | U | Unshielded | | | | | | | | |
| | MP | 10/100 Mbit with POE | | | | | | | | |
| | MP+ | 10/100 Mbit with POE+ | | | | | | | | |

Legend