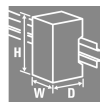


**TGD ELM-12****Weidmüller Interface GmbH & Co. KG**Klingenbergstraße 26  
D-32758 Detmold  
Germany

www.weidmueller.com



Modern machines and plants require load monitoring systems capable of communication. topGUARD - the IO-Link-capable load monitoring system - offers remote control options, full data transparency and reliable protection of the 24-volt system voltage. topGUARD is the ideal complement to IO-Link capable PROtop power supplies from innovative power management systems. It follows the innovative approach to integrated potential distribution, which saves space and time in device installation. A communication module simply needs to be connected and an IODD file integrated in order to carry out parameterisation and control, and to provide all operating data.

**General ordering data**

Version	Electronic load monitoring
Order No.	<a href="#">2624990000</a>
Type	TGD ELM-12
GTIN (EAN)	4050118689433
Qty.	1 items

## TGD ELM-12

**Weidmüller Interface GmbH & Co. KG**  
 Klingenbergstraße 26  
 D-32758 Detmold  
 Germany

www.weidmueller.com

## Technical data

### Approvals

Approvals



ROHS Conform

UL File Number Search [UL Website](#)

Certificate no. (cULus) E258476

### Dimensions and weights

Depth	96.5 mm	Depth (inches)	3.7992 inch
Height	125 mm	Height (inches)	4.9212 inch
Width	12.2 mm	Width (inches)	0.4803 inch
Net weight	60 g		

### Temperatures

Storage temperature	-40 °C...85 °C	Operating temperature	-25 °C...70 °C
---------------------	----------------	-----------------------	----------------

### Environmental Product Compliance

RoHS Compliance Status	Compliant with exemption
RoHS Exemption (if applicable/known)	7a, 7cI
REACH SVHC	Lead 7439-92-1
SCIP	925510b1-0d14-47d7-86d9-90447b22ecd3

### Input

Rated input voltage	24 V DC	Input fuse (internal)	Yes
DC input voltage range	18...30 V DC	max. admissible residual ripple at the input	100 mVpp

### Output

Connection system	PUSH IN	Capacitive load	20,000 µF
Adjustable rated current	Yes	Rated current	12 A
Rated current (per channel)	12 A	Triggering characteristic	see characteristic curve

### General data

Protection degree	IP20	
Surge voltage category	III	
MTTF	According to Standard	SN 29500
	Operating time (hours), min.	2505000 h
	Ambient temperature	40 °C
	Input voltage	24 V
	Output power	288 W
	Duty cycle	100 %
Conformal coating	No	
Function key	Activation time <3s, Reset, ON	
Relay to activate the output	No	

### Insulation coordination

Surge voltage category	III
------------------------	-----

## TGD ELM-12

**Weidmüller Interface GmbH & Co. KG**

Klingenbergstraße 26  
D-32758 Detmold  
Germany

[www.weidmueller.com](http://www.weidmueller.com)

## Technical data

### Connection data (output)

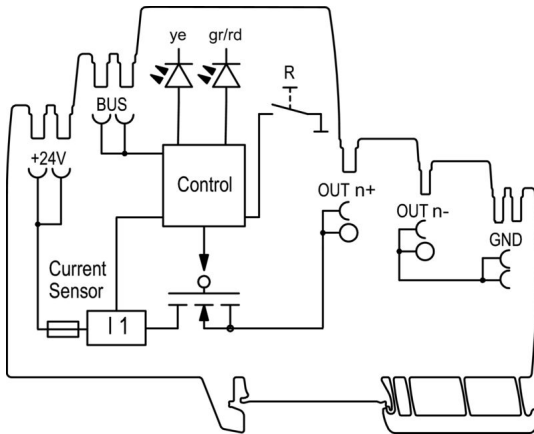
Connection system	PUSH IN	Number of terminals	4 (++) / -)
Conductor cross-section, AWG/kcmil , max.	12 AWG	Conductor cross-section, AWG/kcmil , min.	26 AWG
Conductor cross-section, flexible , max.	2.5 mm <sup>2</sup>	Conductor cross-section, flexible , min.	0.14 mm <sup>2</sup>
Conductor cross-section, rigid , max.	2.5 mm <sup>2</sup>	Conductor cross-section, rigid , min.	0.14 mm <sup>2</sup>
Screwdriver blade	0.6 x 3.5		

### Signalling

LED green	Operation (failure-free), Early warning: I Out > 90% I Rated (flashing)	Red LED	Load monitoring has disconnected, Load monitoring has triggered (flashing), Internal error (rapid flashing)
Yellow LED	Address is assigned, Address is being assigned (flashing)		

### Classifications

ETIM 8.0	EC003538	ETIM 9.0	EC003538
ETIM 10.0	EC003538	ECLASS 14.0	27-37-10-16
ECLASS 15.0	27-37-10-16		



Schematic circuit diagram

Tripping characteristic normal



Tripping characteristic

Tripping characteristic lag



Slow tripping characteristic