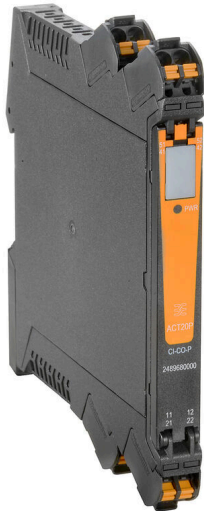


ACT20P-CI-2CO-OLP-P

Weidmüller Interface GmbH & Co. KG
Klingenbergstraße 26
D-32758 Detmold
Germany

www.weidmueller.com



ACT20P: The flexible solution

- Precise and highly functional signal converters
- Release levers simplify handling

General ordering data

Version	Passive isolator, Input : 4-20 mA, Output : 2 x 4-20 mA, (loop powered), Signal distributor, Output current loop powered
Order No.	2619390000
Type	ACT20P-CI-2CO-OLP-P
GTIN (EAN)	4050118622904
Qty.	1 items

ACT20P-CI-2CO-OLP-P

Weidmüller Interface GmbH & Co. KG
 Klingenbergstraße 26
 D-32758 Detmold
 Germany

www.weidmueller.com

Technical data

Approvals

Approvals



ROHS Conform

Dimensions and weights

Depth	114 mm	Depth (inches)	4.4882 inch
Height	127.1 mm	Height (inches)	5.0039 inch
Width	12.5 mm	Width (inches)	0.4921 inch
Net weight	140 g		

Temperatures

Storage temperature	-40 °C...85 °C	Operating temperature	-20 °C...60 °C
Humidity at operating temperature	0...95 % (no condensation)	Humidity	5...95 %, no condensation

Probability of failure

SIL in compliance with IEC 61508 None

Environmental Product Compliance

RoHS Compliance Status	Compliant with exemption		
RoHS Exemption (if applicable/known)	7a, 7cl		
REACH SVHC	Lead 7439-92-1		
SCIP	2f6dd957-421a-46db-a0c2-cf1609156924		

Input

Sensor	4-wire sensor (with own power supply), Current source	Number inputs	1
Input current	4...20mA	Voltage drop, current input	<3 V

Output

Load impedance current	$RL = (UB-12 V) / 20 \pm 20mA$, e.g. 600 Ω at 24 V	Type	passive, connected control must be active
Output current	4...20 mA, loop-powered		

General data

Accuracy	<0.1 % of end value	Protection degree	IP20
Supply voltage	via output current loop, min. 12 V DC/ max. 30 V DC	Step response time	≤ 2 ms
Mounting rail	TS 35	Type of signal forwarding according to HART®	unchanged
Nominal power consumption	2 VA	Configuration	none
Operating altitude	≤ 2000 m		

ACT20P-CI-2CO-OLP-P

Weidmüller Interface GmbH & Co. KG
 Klingenbergstraße 26
 D-32758 Detmold
 Germany

www.weidmueller.com

Technical data

Insulation coordination

Impulse withstand voltage	4 kV (1.2/50 µs)	EMC standards	EN 61326-1, EN 61000-6-2, EN 61000-6-4
Surge voltage category	III	Insulation voltage	2 kV (Input /Output), 1 min, 50 Hz
Rated voltage	300 V		

Data for Ex applications (ATEX)

Marking	II 3 G Ex ec IIC T6 Gc	IECEx - gas labelling	Ex ec IIC T6 Gc
---------	------------------------	-----------------------	-----------------

Connection data

Type of connection	PUSH IN	Tightening torque, min.	0.4 Nm
Tightening torque, max.	0.6 Nm	Clamping range, rated connection	2.5 mm ²
Clamping range, min.	0.5 mm ²	Clamping range, max.	2.5 mm ²
Wire connection cross section AWG, min.	AWG 26	Wire connection cross section AWG, max.	AWG 14
Wire cross-section, solid, min.	0.5 mm ²	Wire cross-section, solid, max.	2.5 mm ²
Wire connection cross section, finely stranded, min.	0.5 mm ²	Wire connection cross section, finely stranded, max.	2.5 mm ²
Wire connection cross-section, finely stranded with wire-end ferrules DIN 46228/4, min.	0.2 mm ²	Wire connection cross-section, finely stranded with wire-end ferrules DIN 46228/4, max.	2.5 mm ²

Part description

Product description	The ACT20P-CI-2CO-OLP-S fixed passive isolator isolates analogue standard current source signals. An analogue input current signal is converted linearly and doubled to provide two galvanically separated output current signals. The device is powered via the output current loop. Features <ul style="list-style-type: none"> • 3-way galvanic isolation between input, output 1 and output 2.
---------------------	---

Classifications

ETIM 8.0	EC002653	ETIM 9.0	EC002653
ETIM 10.0	EC002653	ECLASS 14.0	27-21-01-20
ECLASS 15.0	27-21-01-20		

ACT20P-CI-2CO-OLP-P

Weidmüller Interface GmbH & Co. KG
 Klingenbergstraße 26
 D-32758 Detmold
 Germany

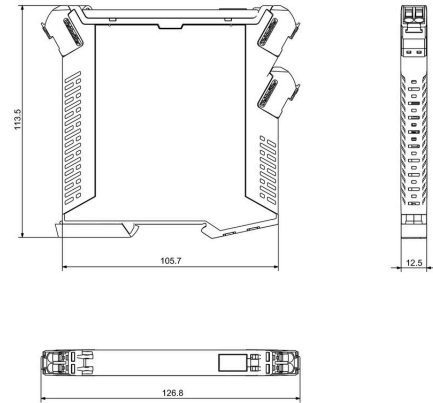
Drawings

www.weidmueller.com

Connection diagram



Dimensioned drawing



PUSH IN technology



ACT20P-CI-2CO-OLP-P

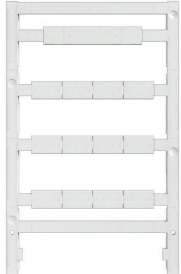
Weidmüller Interface GmbH & Co. KG

Klingenbergstraße 26
D-32758 Detmold
Germany

www.weidmueller.com

Accessories

Blank



ESG is the tried-and-tested marker in MultiCard format for use on many well-known electrical devices. The result is high-quality device marking with a high-contrast appearance.

Various types are available for devices from manufacturers like Siemens, ABB, Beckhoff etc.

Advantages at a glance:

- Tags for universal usage, self-adhesive or clip-on tags, depending on type
- For aligned equipment, e.g. circuit breakers, we supply ESG markers for clipping onto tag rails
- Individual laser-quality printing according to specifications

For custom printing: Please send us a file of our labeling software M-Print PRO or M-Print PRO Online (without installation) for your labeling specifications.

General ordering data

Type	ESG 8/13.5/43.3 SAI AU	Version	
Order No.	1912130000	ESG, Device markers x 13.5 mm, PA 66, Colour: Transparent, pluggable	
GTIN (EAN)	4032248541164		
Qty.	5 ST		
Type	ESG 6.6/11 BHZ 5.00/02	Version	
Order No.	1082490000	ESG, Device markers x 11 mm, PA 66, Colour: white, pluggable	
GTIN (EAN)	4032248845330		
Qty.	200 ST		