

## TRP 48VUC 1CO AU

**Weidmüller Interface GmbH & Co. KG**  
 Klingenbergstraße 26  
 D-32758 Detmold  
 Germany

www.weidmueller.com

## Product image



Similar to illustration



- 1 CO contact
- Contact material: AgNi 5µm Au
- Unique multi-voltage input from 24 to 230 V UC
- Input voltages from 5 V DC to 230 V UC with coloured marking: AC: red, DC: blue, UC: white

## General ordering data

|            |   |
|------------|---|
| Version    | TERMSERIES, Relay module, Number of contacts: 1, CO contact AgNi gold-plated, Rated control voltage: 48 V UC $\pm 10\%$ , Continuous current: 6 A, PUSH IN, Test button available: No |
| Order No.  | <a href="#">2618170000</a>  |
| Type       | TRP 48VUC 1CO AU  |
| GTIN (EAN) | 4050118670660   |
| Qty.       | 10 items  |

## TRP 48VUC 1CO AU

Weidmüller Interface GmbH &amp; Co. KG

Klingenbergstraße 26

D-32758 Detmold

Germany

www.weidmueller.com

## Technical data

## Approvals

Approvals



ROHS Conform

UL File Number Search [UL Website](#)

Certificate no. (cULus) E141197

## Dimensions and weights

|            |         |                 |             |
|------------|---------|-----------------|-------------|
| Depth      | 87.8 mm | Depth (inches)  | 3.4567 inch |
| Height     | 89.4 mm | Height (inches) | 3.5197 inch |
| Width      | 6.4 mm  | Width (inches)  | 0.252 inch  |
| Net weight | 30 g    |                 |             |

## Temperatures

|                       |                |                     |   |
|-----------------------|----------------|---------------------|---|
| Storage temperature   | -40 °C...85 °C | Ambient temperature | -40 °C...60 °C  |
| Operating temperature |                | Humidity            | 5-95% relative humidity,<br>Tu = 40°C, without condensation |

## Environmental Product Compliance

|                                      |                                      |
|--------------------------------------|--------------------------------------|
| RoHS Compliance Status               | Compliant with exemption             |
| RoHS Exemption (if applicable/known) | 7a, 7cl                              |
| REACH SVHC                           | Lead 7439-92-1                       |
| SCIP                                 | 9e2cbc49-76d9-4611-b8ec-5b4f549a0aa9 |

## Rated data UL

|   |        |                                    |  |
|---|--------|------------------------------------|--|
| Ambient temperature (operational), max. | 60 °C  | Connection cross-section AWG, min. | AWG 26   |
| Connection cross-section AWG, max.      | AWG 14 | Type of conductor                  | rigid copper conductor,<br>flexible copper conductor |
| Pollution severity level                | 2      |                                    |  |

## Control side

|  |               |                                       |                 |
|--|---------------|---------------------------------------|-----------------|
| Rated control voltage  | 48 V UC ±10 % | Rated current AC                      | 8 mA            |
| Rated current DC   | 7 mA          | Power rating                          | 340 mW / 0.4 VA |
| Status indicator   | Green LED     | Protective circuit                    | Rectifier       |
| Coil voltage of the replacement relay deviating from the rated control voltage | Yes           | Coil voltage of the replacement relay | 24 V DC         |

## Load side

|   |                                 |   |                                      |
|---|---------------------------------|---|--------------------------------------|
| Rated switching voltage                 | 250 V AC                        | Continuous current                      | 6 A                                  |
| Max. switching frequency at rated load  | 0.1 Hz                          | Max. switching voltage, AC              | 250 V                                |
| Max. switching voltage, DC              | 250 V                           | Inrush current                          | 20 A / 20 ms                         |
| AC switching capacity (resistive), max. | 1500 VA                         | DC switching capacity (resistive), max. | 144 W @ 24 V                         |
| Switch-on delay                         | ≤ 9 ms                          | Switch-off delay                        | <25 ms                               |
| Contact type                            | 1 CO contact (AgNi gold-plated) | Mechanical service life                 | 5 x 10 <sup>6</sup> switching cycles |
| Min. switching power                    | 1 mA @ 1 V                      |   |                                      |

## TRP 48VUC 1CO AU

**Weidmüller Interface GmbH & Co. KG**

Klingenbergstraße 26  
D-32758 Detmold  
Germany

www.weidmueller.com

## Technical data

### General data

|                                      |                           |                |
|--------------------------------------|---------------------------|----------------|
| Operating altitude                   | ≤ 2000 m, above sea level |                |
| Mounting rail                        | TS 35                     |                |
| Test button available                | No                        |                |
| Mechanical switch position indicator | No                        |                |
| Colour                               | black                     |                |
| UL94 flammability rating component   | Component                 | Housing        |
|                                      | UL94 flammability rating  | V-0            |
|                                      | Component                 | Retaining clip |
|                                      | UL94 flammability rating  | V-0            |
|                                      | Component                 | Pusher         |
|                                      | UL94 flammability rating  | V-0            |

### Insulation coordination

|  |                  |   |                       |
|--|------------------|---|-----------------------|
| Rated voltage                                    | 300 V            | Pollution severity  | 2                     |
| Surge voltage category                           | III              | Clearance and creepage distances for control side - load side | ≥ 6 mm                |
| Dielectric strength for control side - load side | 4 kVeff / 1 Min. | Type of isolation at input and output                         | reinforced insulation |
| Dielectric strength of open contact              | 1 kVeff / 1 min  | Dielectric strength to mounting rail                          | 4 kVeff / 1 Min.      |
| Impulse withstand voltage                        | 6 kV (1.2/50 µs) | Protection degree   | IP20                  |

### Further details of approvals / standards

|                       |            |                         |         |
|-----------------------|------------|-------------------------|---------|
| Certificate No. (DNV) | TAA00001E5 | Certificate no. (cULus) | E141197 |
|-----------------------|------------|-------------------------|---------|

### Connection data

|   |                     |   |                      |
|---|---------------------|---|----------------------|
| Wire connection method  | PUSH IN             | Stripping length, rated connection  | 9 mm                 |
| Clamping range, rated connection  | 1.5 mm <sup>2</sup> | Clamping range, min.  | 0.14 mm <sup>2</sup> |
| Clamping range, max.  | 2.5 mm <sup>2</sup> | Wire connection cross section AWG, min.   | AWG 26               |
| Wire connection cross section AWG, max.   | AWG 14              | Wire cross-section, solid, min.   | 0.14 mm <sup>2</sup> |
| Wire cross-section, solid, max.   | 1.5 mm <sup>2</sup> | Wire cross-section, solid, min. (AWG)   | AWG 26               |
| Wire cross-section, solid, max. (AWG)   | AWG 16              | Wire connection cross section, finely stranded, min.                                    | 0.14 mm <sup>2</sup> |
| Wire connection cross section, finely stranded, max.                                    | 2.5 mm <sup>2</sup> | Wire cross-section, finely stranded, min. (AWG)   | AWG 26               |
| Wire cross-section, finely stranded, max. (AWG)   | AWG 14              | Wire connection cross-section, finely stranded with wire-end ferrules DIN 46228/4, min. | 0.14 mm <sup>2</sup> |
| Wire connection cross-section, finely stranded with wire-end ferrules DIN 46228/4, max. | 1.5 mm <sup>2</sup> | Conductor cross-section, flexible, AEH (DIN 46228-1), min.                              | 0.14 mm <sup>2</sup> |
| Conductor cross-section, flexible, AEH (DIN 46228-1), max.                              | 1.5 mm <sup>2</sup> | Blade size  | 0.4 x 2.0 mm         |

### Classifications

|             |             |             |             |
|-------------|-------------|-------------|-------------|
| ETIM 8.0    | EC001437    | ETIM 9.0    | EC001437    |
| ETIM 10.0   | EC001437    | ECLASS 14.0 | 27-37-16-01 |
| ECLASS 15.0 | 27-37-16-01 |             |             |

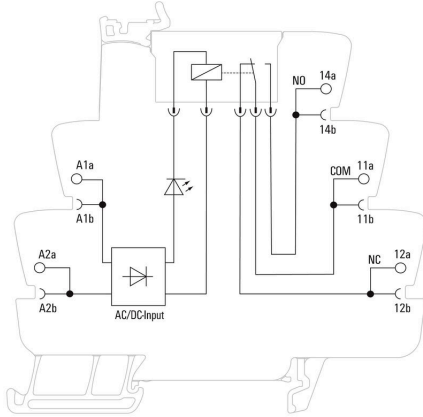
TRP 48VUC 1CO AU

Weidmüller Interface GmbH & Co. KG  
 Klingenbergstraße 26  
 D-32758 Detmold  
 Germany

www.weidmueller.com

Drawings

Wiring diagram



Graph



DC load limit curve Resistive load

Graph



Electrical service life 230 V AC resistive load 230 V AC resistive load

Dimensional drawing



