

SAI-H3-M12-L

Weidmüller Interface GmbH & Co. KG
Klingenbergstraße 26
D-32758 Detmold
Germany

www.weidmueller.com

Similar to illustration



General ordering data

Version	Y connector
Order No.	2616470000
Type	SAI-H3-M12-L
GTIN (EAN)	4050118621532
Qty.	1 items

Technical data

Approvals

Approvals



ROHS Conform

UL File Number Search [UL Website](#)

Certificate no. (cULus) E310075

Dimensions and weights

Net weight 107.36 g

Environmental Product Compliance

RoHS Compliance Status Compliant with exemption

RoHS Exemption (if applicable/known) 6c

REACH SVHC Lead 7439-92-1

SCIP 4060c755-8d0b-4d43-bdb3-4ffabe9d7497

Connection data

Group outlet - plug-in connector	M12 pin	Single outlet 1 - plug-in connector	M12 socket
Single outlet 2 - plug-in connector	M12 socket	Tightening torque	M12: 0.8 - 1.2 Nm

Technical data customisable plug-in connectors

Number of poles	5	Coding	L-coded
Contact surface	Gold-plated	Housing main material	TPU
Nominal current	16 A	Protection degree	IP67, IP65, IP68
Pollution severity	3	Cable gland	M 12
Shield connection	No	Temperature range of housing	-30...+90 °C

Standards

Connector standard IEC 61076-2-111

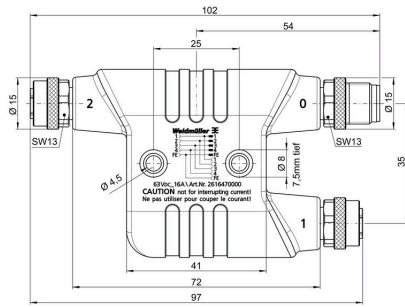
General data

Number of poles	5	Coding	L-coded
Contact surface	Gold-plated	Housing main material	TPU
Nominal current	16 A	Protection degree	IP67, IP65, IP68
Pollution severity	3	Cable gland	M 12
Rated voltage	63 V DC	Shield connection	No
Temperature range of housing	-30...+90 °C	Conductor O.D.	-

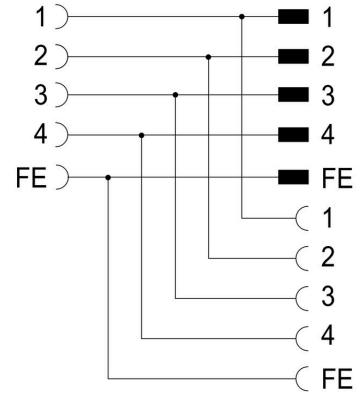
Classifications

ETIM 8.0	EC002925	ETIM 9.0	EC002925
ETIM 10.0	EC002925	ECLASS 14.0	27-44-01-06
ECLASS 15.0	27-44-01-06		

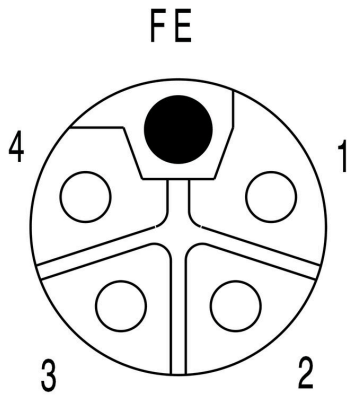
Dimensioned drawing



Wiring diagram



Pole scheme



Pole scheme

