

SAI-H3-M12-T

Weidmüller Interface GmbH & Co. KG
Klingenbergstraße 26
D-32758 Detmold
Germany

www.weidmueller.com

Product image



General ordering data

Version	Y connector
Order No.	2616420000
Type	SAI-H3-M12-T
GTIN (EAN)	4050118621389
Qty.	1 items

SAI-H3-M12-T

Weidmüller Interface GmbH & Co. KG
Klingenbergstraße 26
D-32758 Detmold
Germany

www.weidmueller.com

Technical data

Approvals

Approvals



ROHS Conform

UL File Number Search [UL Website](#)

Certificate no. (cULus) E310075

Dimensions and weights

Net weight 90.64 g

Environmental Product Compliance

RoHS Compliance Status Compliant with exemption

RoHS Exemption (if applicable/known) 6c

REACH SVHC Lead 7439-92-1

SCIP 4060c755-8d0b-4d43-bdb3-4ffabe9d7497

Connection data

Single outlet 3 - plug-in connector	M12 socket	Group outlet - plug-in connector	M12 pin
Single outlet 1 - plug-in connector	M12 socket	Single outlet 2 - plug-in connector	M12 socket

Technical data customisable plug-in connectors

Number of poles	4	Coding	T-coded
Contact surface	Gold-plated	Housing main material	TPU
Insulation resistance	≥ 100 MΩ	Nominal current	12 A
Protection degree	IP67	Pollution severity	3
Cable gland	M 12	Shield connection	No
Temperature range of housing	-30...+90 °C		

Standards

Connector standard IEC 61076-2-111

General data

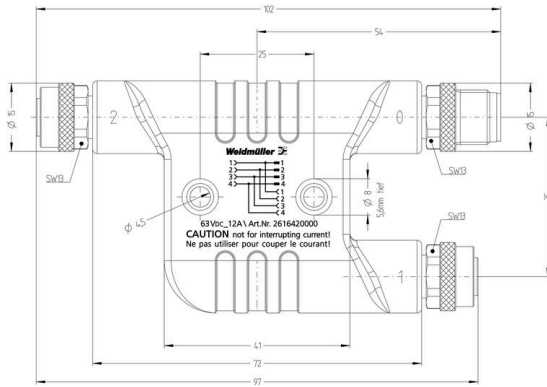
Number of poles	4	Coding	T-coded
Contact surface	Gold-plated	Housing main material	TPU
Insulation resistance	≥ 100 MΩ	Nominal current	12 A
Protection degree	IP67	Pollution severity	3
Cable gland	M 12	Rated voltage	63 V DC
Connection 1	M12/M12	Connection 2	Screw
Shield connection	No	Temperature range of housing	-30...+90 °C
Conductor O.D.	-		

Classifications

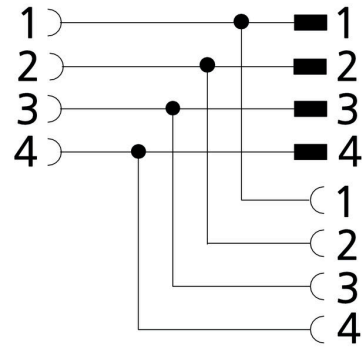
ETIM 8.0	EC002925	ETIM 9.0	EC002925
ETIM 10.0	EC002925	ECLASS 14.0	27-44-01-06
ECLASS 15.0	27-44-01-06		

Drawings

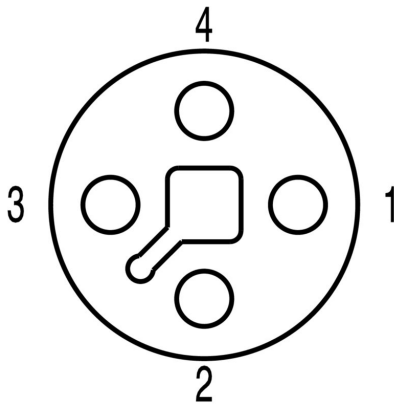
Drawing



Connection diagram



Pole scheme



Pole scheme

