

## SDL 4 FT

**Weidmüller Interface GmbH & Co. KG**

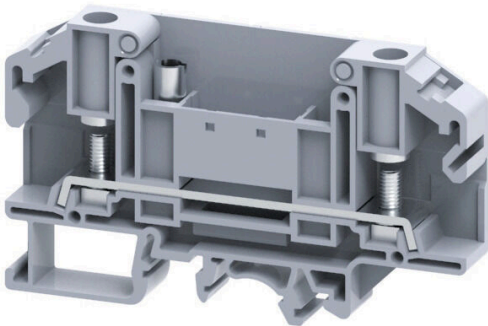
Klingenbergstraße 26

D-32758 Detmold

Germany

[www.weidmueller.com](http://www.weidmueller.com)

### Product image



#### Current and voltage transformer wiring

Our test disconnect terminal blocks featuring spring and screw connection technology allow you to create all the important converter circuits for measuring current, voltage and power in a safe and sophisticated way.

#### General ordering data

Version	Stud terminal, Threaded stud connection, grey, 6 mm <sup>2</sup> , 41 A, 1000 V, Number of connections: 2, Number of levels: 1, TS 32, TS 35, V-2, Polyamide
Order No.	<a href="#">2614970000</a>
Type	SDL 4 FT
GTIN (EAN)	4050118654004
Qty.	50 items

## SDL 4 FT

Weidmüller Interface GmbH &amp; Co. KG

Klingenbergstraße 26

D-32758 Detmold

Germany

www.weidmueller.com

## Technical data

## Approvals

Approvals



ROHS Conform

UL File Number Search [UL Website](#)

Certificate No. (cURus) .

## Dimensions and weights

Depth	51.5 mm	Depth (inches)	2.0276 inch
Depth including DIN rail	52.2 mm	Height	86 mm
Height (inches)	3.3858 inch	Width	11 mm
Width (inches)	0.4331 inch	Net weight	18.3 g

## Temperatures

Storage temperature	-25 °C...55 °C	Ambient temperature	-5 °C...40 °C
Continuous operating temp., min.	-50 °C	Continuous operating temp., max.	120 °C

## Environmental Product Compliance

RoHS Compliance Status	Compliant without exemption
REACH SVHC	No SVHC above 0.1 wt%

## Material data

Basic material	Polyamide	Colour	grey
UL 94 flammability rating	V-2		

## System specifications

End cover plate required	Yes	Number of potentials	1
Number of levels	1	Number of clamping points per level	2
Number of potentials per tier	1	Levels cross-connected internally	No
PE connection	No	Mounting rail	TS 32, TS 35
N-function	No	PE function	No
PEN function	No		

## Additional technical data

Open sides	right	Snap-on	Yes
Type of fixing	Snap-on	Explosion-tested version	No
Type of mounting	TS 32, TS 35		

## CSA rating data

Wire cross section min. (cCSAusX)	22 AWG	Certificate number (cCSAus)	70198655
Wire cross section max. (cCSAusX)	8 AWG		

## Conductors for clamping (rated connection)

Cable lug to DIN 46234	1.5...6 mm <sup>2</sup>	Cable lug to DIN 46235	1.5...6 mm <sup>2</sup>
Wire connection cross section AWG, max.	AWG 8	Connection direction	on side

## SDL 4 FT

**Weidmüller Interface GmbH & Co. KG**

Klingenbergstraße 26  
D-32758 Detmold  
Germany

www.weidmueller.com

## Technical data

Tightening torque, max.	1.2 Nm	Tightening torque, min.	1.2 Nm
Type of connection	Threaded stud connection	Number of connections	2
Clamping range, max.	6 mm <sup>2</sup>	Clamping range, min.	1.5 mm <sup>2</sup>
Clamping range, bolted connection , max.	6.00 mm <sup>2</sup>	Clamping range, bolted connection , min.	1.5 mm <sup>2</sup>
Blade size	0.8 x 5.5 mm	Wire connection cross section AWG, min.	AWG 22
Wire connection cross-section, finely stranded with wire-end ferrules DIN 46228/4, max.	6 mm <sup>2</sup>	Wire connection cross-section, finely stranded with wire-end ferrules DIN 46228/4, min.	1.5 mm <sup>2</sup>
Wire connection cross-section, finely stranded with wire-end ferrules DIN 46228/1, max.	1.5 mm <sup>2</sup>	Wire connection cross-section, finely stranded with wire-end ferrules DIN 46228/1, min.	1.5 mm <sup>2</sup>
Wire connection cross section, finely stranded, max.	6 mm <sup>2</sup>	Wire connection cross section, finely stranded, min.	1.5 mm <sup>2</sup>
Connection cross-section, stranded, max.	6 mm <sup>2</sup>	Connection cross-section, stranded, min.	1.5 mm <sup>2</sup>
Stud size for spade connection	M 4	Wire connection cross-section, solid core, max.	6 mm <sup>2</sup>
Wire connection cross-section, solid core, min.	1.5 mm <sup>2</sup>	Connection cross-section, finely stranded, min.	1.5 mm <sup>2</sup>
2 x cable lugs DIN 46 235	1.5...6 mm <sup>2</sup>	2 x cable lugs DIN 46 234	1.5...6 mm <sup>2</sup>

### General

Wire connection cross section AWG, max.	AWG 8	Wire connection cross section AWG, min.	AWG 22
Standards	IEC 60947-7-1	Mounting rail	TS 32, TS 35

### Rating data

Rated cross-section	6 mm <sup>2</sup>	Rated voltage	1000 V
Rated DC voltage	1000 V	Nominal current	41 A
Current at maximum wires	41 A	Standards	IEC 60947-7-1
Volume resistance according to IEC 60947-7-x	0.78 mΩ	Rated impulse withstand voltage	8 kV
Power loss in accordance with IEC 60947-7-x	1.31 W	Pollution severity	3

### UL rating data

Conductor size Factory wiring max. (cURus)	8 AWG	Voltage size B (cURus)	600 V
Certificate No. (cURus)	.	Conductor size Field wiring min. (cURus)	22 AWG
Conductor size Factory wiring min. (cURus)	22 AWG	Current size B (cURus)	50 A
Voltage size C (cURus)	600 V	Current size C (cURus)	50 A
Conductor size Field wiring max. (cURus)	8 AWG		

### Classifications

ETIM 8.0	EC000897	ETIM 9.0	EC000897
ETIM 10.0	EC000897	ECLASS 14.0	27-25-01-01
ECLASS 15.0	27-25-01-01		

Drawings

