

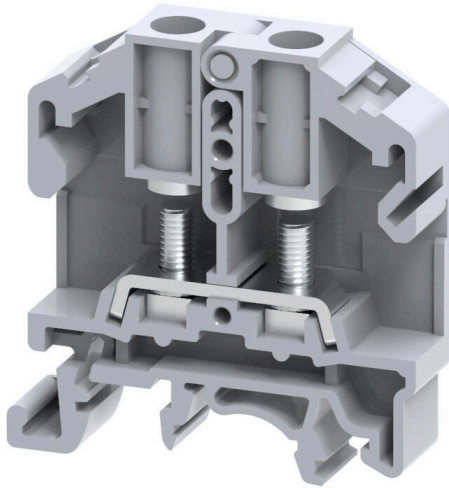
SRL 4 STB**Weidmüller Interface GmbH & Co. KG**

Klingenbergstraße 26

D-32758 Detmold

Germany

www.weidmueller.com

Product image

To feed through power, signal, and data is the classical requirement in electrical engineering and panel building. The insulating material, the connection system and the design of the terminal blocks are the differentiating features. A feed-through terminal block is suitable for joining and/or connecting one or more conductors. They could have one or more connection levels that are on the same potential or insulated against one another.

General ordering data

| | |
|------------|--|
| Version | Stud terminal, Threaded stud connection, grey, 6 mm ² , 41 A, 1000 V, Number of connections: 2, Number of levels: 1, TS 35, TS 32, V-2, Polyamide |
| Order No. | 2614950000 |
| Type | SRL 4 STB |
| GTIN (EAN) | 4050118654028 |
| Qty. | 50 items |

SRL 4 STB

Weidmüller Interface GmbH & Co. KG
 Klingenbergstraße 26
 D-32758 Detmold
 Germany

www.weidmueller.com

Technical data

Approvals

Approvals



ROHS Conform

Dimensions and weights

| | | | |
|--------------------------|-------------|----------------|-------------|
| Depth | 51.5 mm | Depth (inches) | 2.0276 inch |
| Depth including DIN rail | 52.2 mm | Height | 48.5 mm |
| Height (inches) | 1.9094 inch | Width | 11 mm |
| Width (inches) | 0.4331 inch | Net weight | 11 g |

Temperatures

| | | | |
|----------------------------------|----------------|----------------------------------|---------------|
| Storage temperature | -25 °C...55 °C | Ambient temperature | -5 °C...40 °C |
| Continuous operating temp., min. | -50 °C | Continuous operating temp., max. | 120 °C |

Environmental Product Compliance

| | |
|------------------------|-----------------------------|
| RoHS Compliance Status | Compliant without exemption |
| REACH SVHC | No SVHC above 0.1 wt% |

Material data

| | | | |
|---------------------------|-----------|--------|------|
| Basic material | Polyamide | Colour | grey |
| UL 94 flammability rating | V-2 | | |

System specifications

| | | | |
|-------------------------------|-----|-------------------------------------|--------------|
| End cover plate required | Yes | Number of potentials | 1 |
| Number of levels | 1 | Number of clamping points per level | 2 |
| Number of potentials per tier | 1 | Levels cross-connected internally | No |
| PE connection | No | Mounting rail | TS 35, TS 32 |
| N-function | No | PE function | No |
| PEN function | No | | |

Additional technical data

| | | | |
|------------------|---------|--------------------------|-----|
| Open sides | right | Snap-on | Yes |
| Type of fixing | Snap-on | Explosion-tested version | No |
| Type of mounting | Snap-on | | |

Conductors for clamping (rated connection)

| | | | |
|--|--------------------------|--|-------------------------|
| Cable lug to DIN 46234 | 1.5...6 mm ² | Cable lug to DIN 46235 | 1.5...6 mm ² |
| Wire connection cross section AWG, max. | AWG 8 | Connection direction | on side |
| Tightening torque, max. | 0.5 Nm | Tightening torque, min. | 0.5 Nm |
| Type of connection | Threaded stud connection | Number of connections | 2 |
| Clamping range, max. | 6 mm ² | Clamping range, min. | 1.5 mm ² |
| Clamping range, bolted connection , max. | 6.00 mm ² | Clamping range, bolted connection , min. | 1.5 mm ² |

SRL 4 STB

Weidmüller Interface GmbH & Co. KG

Klingenbergstraße 26
D-32758 Detmold
Germany

www.weidmueller.com

Technical data

| | | | |
|---|-------------------------|---|-------------------------|
| Wire connection cross section AWG, min. | AWG 22 | Wire connection cross-section, finely stranded with wire-end ferrules DIN 46228/4, min. | 1.5 mm ² |
| Wire connection cross-section, finely stranded with wire-end ferrules DIN 46228/1, min. | 1.5 mm ² | Wire connection cross section, finely stranded, max. | 6 mm ² |
| Wire connection cross section, finely stranded, min. | 1.5 mm ² | Connection cross-section, stranded, max. | 6 mm ² |
| Connection cross-section, stranded, min. | 1.5 mm ² | Stud size for spade connection | M 4 |
| Wire connection cross-section, solid core, max. | 6 mm ² | Wire connection cross-section, solid core, min. | 1.5 mm ² |
| Connection cross-section, finely stranded, min. | 1.5 mm ² | 2 x cable lugs DIN 46 235 | 1.5...6 mm ² |
| 2 x cable lugs DIN 46 234 | 1.5...6 mm ² | | |

General

| | | | |
|---|---------------|---|--------------|
| Wire connection cross section AWG, max. | AWG 8 | Wire connection cross section AWG, min. | AWG 22 |
| Standards | IEC 60947-7-1 | Mounting rail | TS 35, TS 32 |

Rating data

| | | | |
|--|-------------------|---------------------------------|---------------|
| Rated cross-section | 6 mm ² | Rated voltage | 1000 V |
| Rated DC voltage | 1000 V | Nominal current | 41 A |
| Current at maximum wires | 41 A | Standards | IEC 60947-7-1 |
| Volume resistance according to IEC 60947-7-x | 0.78 mΩ | Rated impulse withstand voltage | 8 kV |
| Power loss in accordance with IEC 60947-7-x | 1.31 W | Surge voltage category | III |
| Pollution severity | 3 | | |

Classifications

| | | | |
|-------------|-------------|-------------|-------------|
| ETIM 8.0 | EC000897 | ETIM 9.0 | EC000897 |
| ETIM 10.0 | EC000897 | ECLASS 14.0 | 27-25-01-01 |
| ECLASS 15.0 | 27-25-01-01 | | |

Drawings

