

RJ45C5E R1D 3.2N4G/Y TY

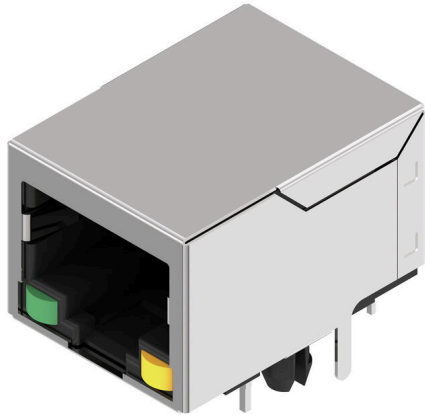
Weidmüller Interface GmbH & Co. KG

Klingenbergstraße 26

D-32758 Detmold

Germany

www.weidmueller.com



The product range encompasses the following designs:

- 90°, lying (horizontal) and 180°, standing (vertical)
- latch up / latch down
- THT, THR or SMD soldering processes
- Wide range of different design types, also with integrated LEDs and shield contact tabs
- Performance category Cat. 3 to Cat. 6
- Packed either in a tray (TY) or on a roll (tape-on-reel, RL)
- Compatible with modular RJ45 connector according to ANSI / TIA-1096-A and IEC 60603
- Dielectric strength ≥ 1500 V AC RMS (2250 V AC peak value) according to IEEE 802.3
- Dielectric strength ≥ 1500 V AC (peak value) or ≥ 1500 V DC according to IEC 60603

Properties and advantages:

- Extended temperature range of -40°C to $+85^{\circ}\text{C}$ for maximum performance
- Reinforced gold layer ($30\mu\text{m}$) for improved corrosion protection
- At least 0.3mm stand-off ensures a perfect soldering result

General ordering data

Version	OMNIMATE Data - RJ45 modular jack, PCB plug-in connector, Cat. 5e, THT/THR solder connection, 90°, bottom, none, Yes, Plugging cycles: 750, Number of poles: 8, PA 9T, Tray (manual assembly)
Order No.	2613200000
Type	RJ45C5E R1D 3.2N4G/Y TY
GTIN (EAN)	4050118623802
Qty.	600 items
Packaging	Tray (manual assembly)

RJ45C5E R1D 3.2N4G/Y TY

Weidmüller Interface GmbH & Co. KG
Klingenbergstraße 26
D-32758 Detmold
Germany

www.weidmueller.com

Technical data

Approvals

Approvals



ROHS	Conform
UL File Number Search	UL Website
Certificate No. (UR)	E316369
Certificate No. (cURus)	E316369

Dimensions and weights

Depth	21.27 mm	Depth (inches)	0.8374 inch
Height	13.45 mm	Height (inches)	0.5295 inch
Height of lowest version	13.45 mm	Width	15.88 mm
Width (inches)	0.6252 inch	Net weight	1.61 g

Environmental Product Compliance

RoHS Compliance Status	Compliant without exemption
REACH SVHC	No SVHC above 0.1 wt%

System specifications

Number of poles	8	LED	Yes
Solder pin length (l)	3.2 mm	Mounting onto the PCB	THT/THR solder connection
Pitch in inches (P)	0.050 "	Shielding material	Brass
Shielding	Yes	Side termination, characteristic	Solder flange
Solder eyelet hole diameter tolerance (D)	± 0.1 mm	Number of solder pins per pole	1
Type of connection	Solder connection	Category	Cat. 5e
Product family	OMNIMATE Data - RJ45 modular jack	Pitch in mm (P)	1.27 mm
Protection degree	IP20	Plugging cycles	750
Outgoing elbow	90°	Forward current	20 mA
Forward voltage, max.	2.6 V	Shield surface	nickel-plated
Shield tabs	none	Performance-Category	Cat. 5e
Soldering process	Reflow soldering, Manual soldering, Wave soldering	Latch option	bottom
Solder pin dimensions	Octagonal	Tolerance of solder pin position	± 0.1 mm
Forward voltage, min.	1.8 V		

Electrical properties

Dielectric strength, contact / shield	1500 V DC	Dielectric strength, contact / contact	1000 V DC
Volume resistance	<25 mΩ	Insulation resistance	≥ 500 MΩ
Nominal voltage	125 V	PoE / PoE+	conforming to IEEE 802.3at

Material data

Insulating material	PA 9T	Colour	black
Colour chart (similar)	RAL 9011	Insulating material group	II
Comparative Tracking Index (CTI)	≥ 500	Insulation resistance	≥ 500 MΩ
Moisture Level (MSL)	1	UL 94 flammability rating	V-0

RJ45C5E R1D 3.2N4G/Y TY

Weidmüller Interface GmbH & Co. KG
Klingenbergstraße 26
D-32758 Detmold
Germany

www.weidmueller.com

Technical data

Contact base material	Phosphorus bronze	Contact material	Cu-alloy
Contact surface	Gold over nickel	Storage temperature, min.	-40 °C
Storage temperature, max.	85 °C	Operating temperature, min.	-40 °C
Operating temperature, max.	85 °C		

Packing

Packaging	Tray (manual assembly)	VPE length	406.00 mm
VPE width	313.00 mm	VPE height	149.00 mm

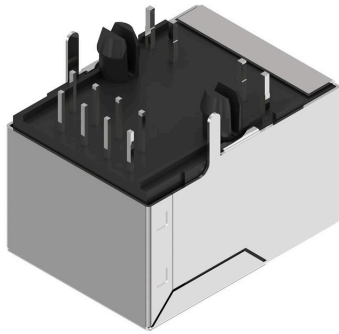
Important note

Notes

Classifications

ETIM 8.0	EC002637	ETIM 9.0	EC002637
ETIM 10.0	EC002637	ECLASS 14.0	27-46-02-01
ECLASS 15.0	27-46-02-01		

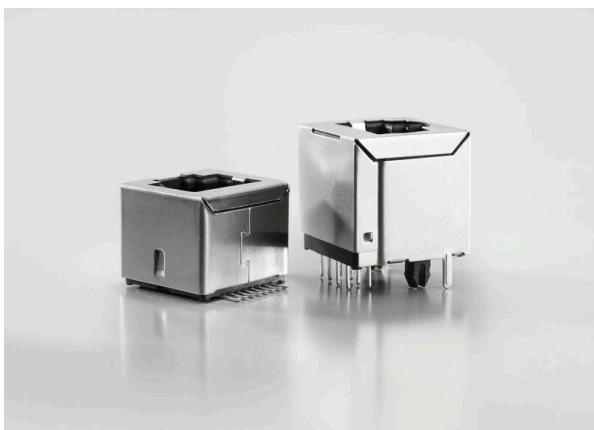
Drawings



Product benefits

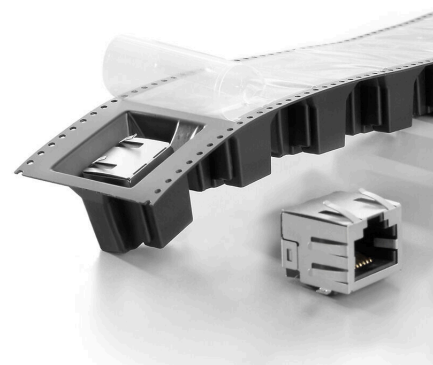


Product benefits



Suitable for all soldering processes SMT, THT or THR

Product benefits



RJ45C5E R1D 3.2N4G/Y TY

Weidmüller Interface GmbH & Co. KG
 Klingenbergstraße 26
 D-32758 Detmold
 Germany

Drawings

www.weidmueller.com

