

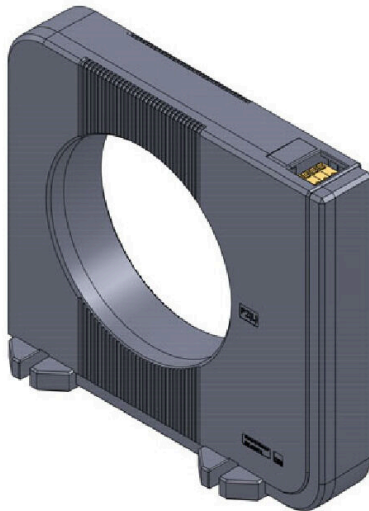
CMA-RCM-DACT-120**Weidmüller Interface GmbH & Co. KG**

Klingenbergstraße 26

D-32758 Detmold

Germany

www.weidmueller.com

Similar to illustration

Difference current transformer (Residual current monitoring, RCM)

This type is specialised in the detection of residual currents in 3 / 4-wire AC networks.

Its special features are:

Highly sensitive current sensor for the detection of even the smallest residual currents, fixed switching hysteresis of 5%, high safety thanks to integrated overvoltage protection and coverage of a wide frequency range.

General ordering data

Version	Residual current transformer, Primary current: 25 A, Round conductor: 120.00 mm, closed current transformer
Order No.	2603450000
Type	CMA-RCM-DACT-120
GTIN (EAN)	4050118665406
Qty.	1 items
Local product	Only available in certain countries
Manufacturer	MBS AG

CMA-RCM-DACT-120

Weidmüller Interface GmbH & Co. KG
 Klingenbergstraße 26
 D-32758 Detmold
 Germany

www.weidmueller.com

Technical data

Approvals

ROHS	Conform
------	---------

General ordering data

Local product	Only available in certain countries
---------------	-------------------------------------

Dimensions and weights

Depth	37 mm	Depth (inches)	1.4567 inch
Height	191.5 mm	Height (inches)	7.5394 inch
Width	210 mm	Width (inches)	8.2677 inch
Net weight	240 g		

Temperatures

Storage temperature	-25 °C...70 °C	Operating temperature	-10 °C...70 °C
---------------------	----------------	-----------------------	----------------

Environmental Product Compliance

RoHS Compliance Status	Compliant
REACH SVHC	No SVHC above 0.1 wt%

Measuring current input

Residual current measuring	Yes
----------------------------	-----

Dimensions of live conductors

Type of conductor	Insulated conductor only	Round conductor	120.00 mm
Installation location	Indoor use		

Electrical attributes

Tolerance class	1	Secondary current	0...0.04 A
Transmission ratio	1:600	Load	0 VA
Frequency band	30 Hz...3 kHz	Primary current	25 A

Technical properties

Protection degree	IP40	Measurement accuracy	Class 1 (IEC 6206-21)
Coil resistance	8 Ω		

Input

Input measurement range	0.02...2 A / 0.25...25 A depending on terminal assignment
-------------------------	---

Insulation coordination

Standard	EN 60044/1	Impulse withstand voltage	8 kV
Pollution severity	3	Galvanic isolation	yes
Tolerance class	1	Rated voltage	800 V

Technical data

Classifications

ETIM 8.0	EC002048	ETIM 9.0	EC002048
ETIM 10.0	EC002048	ECLASS 14.0	27-21-09-02
ECLASS 15.0	27-21-09-02		

