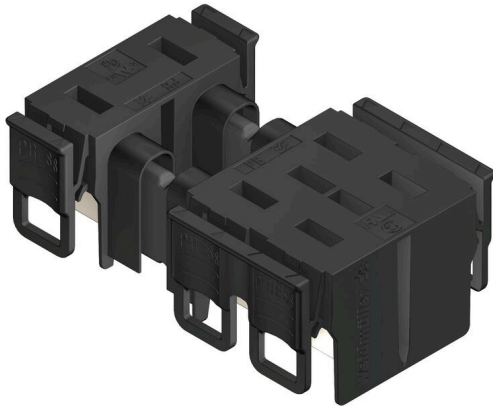


PB-FEED 160 50/02RF AG BK BX

Weidmüller Interface GmbH & Co. KG

Klingenbergstraße 26
D-32758 Detmold
Germany

www.weidmueller.com



- Future-proof design
- Different module sizes
- Simple device integration
- Simple plug-and-play solution – fast replacement of individual modules from a single device network
- Quick and easy installation without tools
- Safe locking of busbar connectors
- Touch-safe construction
- Tolerance compensation in the rail system allows simple mounting of the devices on the panel mounting plate without extreme accuracy
- Uncomplicated UL approval with registered UL components
- Ideal design of size and technical data for typical multi-axis servo amplifiers

General ordering data

| | |
|--------------|--|
| Version | PCB plug-in connector, male plug, Pitch in mm (P): 42.50 mm, Number of poles: 2, Box |
| Order No. | 2594950000 |
| Type | PB-FEED 160 50/02RF AG BK BX |
| GTIN (EAN) | 4050118607345 |
| Qty. | 20 items |
| Product data | IEC: 1000 V / 160 A UL: 750 V / 160 A |
| Packaging | Box |

PB-FEED 160 50/02RF AG BK BX

Weidmüller Interface GmbH & Co. KG
Klingenbergstraße 26
D-32758 Detmold
Germany

www.weidmueller.com

Technical data

Approvals

Approvals



| | |
|-------------------------|----------------------------|
| ROHS | Conform |
| UL File Number Search | UL Website |
| Certificate No. (cURus) | E196651 |

Dimensions and weights

| | |
|------------|------|
| Net weight | 40 g |
|------------|------|

Environmental Product Compliance

| | |
|------------------------|-----------------------------|
| RoHS Compliance Status | Compliant without exemption |
| REACH SVHC | No SVHC above 0.1 wt% |

System specifications

| | | | |
|--------------------------|----------------------------------|--|--------------|
| Product family | OMNIMATE Power - Powerbus series | Pitch in mm (P) | 42.50 mm |
| Pitch in inches (P) | 1.670 " | Number of poles | 2 |
| L1 in mm | 50.00 mm | L1 in inches | 1.969 " |
| Number of rows | 1 | Touch-safe protection acc. to DIN VDE 0470 | IP20 plugged |
| Protection degree | IP20 | Volume resistance | ≤5 mΩ |
| Plugging cycles | 25 | Plugging force/pole, max. | 90 N |
| Pulling force/pole, max. | 65 N | | |

Material data

| | | | |
|---------------------------------------|-------------|---------------------------------------|-------------|
| Insulating material | PA GF | Colour | black |
| Colour chart (similar) | RAL 9011 | Insulating material group | II |
| Comparative Tracking Index (CTI) | ≥ 400 | Moisture Level (MSL) | |
| UL 94 flammability rating | V-0 | Contact material | Cu-alloy |
| Contact surface | Ag (silver) | Layer structure of plug contact | 4...6 μm Ag |
| Storage temperature, min. | -40 °C | Storage temperature, max. | 70 °C |
| Operating temperature, min. | -50 °C | Operating temperature, max. | 125 °C |
| Temperature range, installation, min. | -20 °C | Temperature range, installation, max. | 65 °C |

Rated data acc. to IEC

| | | | |
|---|------------------------|---|-------------------|
| tested acc. to standard | IEC 60664-1, IEC 61984 | Rated current, min. number of poles (Tu=20°C) | 160 A |
| Rated current, max. number of poles (Tu=20°C) | 160 A | Rated current, min. number of poles (Tu=40°C) | 140 A |
| Rated current, max. number of poles (Tu=40°C) | 140 A | Rated voltage for surge voltage class / pollution degree II/2 | 1000 V |
| Rated voltage for surge voltage class / pollution degree III/2 | 1000 V | Rated voltage for surge voltage class / pollution degree III/3 | 800 V |
| Rated impulse voltage for surge voltage class/ pollution degree II/2 | 6 kV | Rated impulse voltage for surge voltage class/ pollution degree III/2 | 8 kV |
| Rated impulse voltage for surge voltage class/ contamination degree III/3 | 8 kV | Short-time withstand current resistance | 3 x 1s mit 1000 A |
| Creepage distance, min. | 11.2 mm | Clearance, min. | 10.6 mm |

PB-FEED 160 50/02RF AG BK BX

Weidmüller Interface GmbH & Co. KG
 Klingenbergstraße 26
 D-32758 Detmold
 Germany

www.weidmueller.com

Technical data

Rated data acc. to UL 508

| | | | |
|-------------------------|---------|------------------|---------|
| Rated voltage | 750 V | Rated current | 160 A |
| Creepage distance, min. | 11.2 mm | Luftstrecke, min | 10.1 mm |

Packing

| | | | |
|-----------|-----------|------------|-----------|
| Packaging | Box | VPE length | 261.00 mm |
| VPE width | 157.00 mm | VPE height | 79.00 mm |

Important note

| | |
|----------------|--|
| IPC conformity | Conformity: The products are developed, manufactured and delivered according international recognized standards and norms and comply with the assured properties in the data sheet resp. fulfill decorative properties in accordance with IPC-A-610 "Class 2". Further claims on the products can be evaluated on request. |
|----------------|--|

| | |
|-------|--|
| Notes | <ul style="list-style-type: none"> • Additional variants on request • IEC-rated current is based on 20 °C ambiente temperature, further values see derating curve • UL508-rated current based on 65 °C ambiente temperature and max. 20 devices • Rated data refer only to the component itself. Clearance and creepage distances to other components are to be designed in accordance with the relevant application standards. • Further module lengths on request. • In accordance with IEC 61984, OMNIMATE-connectors are connectors without breaking capacity (COC). During designated use, connectors are not allowed to be engaged or disengaged when live or under load • Long term storage of the product with average temperature of 50 °C and maximum humidity 70%, 36 months |
|-------|--|

Classifications

| | | | |
|-------------|-------------|-------------|-------------|
| ETIM 8.0 | EC002638 | ETIM 9.0 | EC002638 |
| ETIM 10.0 | EC002638 | ECLASS 14.0 | 27-46-02-02 |
| ECLASS 15.0 | 27-46-02-02 | | |

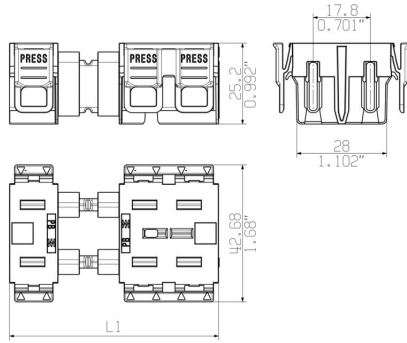
PB-FEED 160 50/02RF AG BK BX

Weidmüller Interface GmbH & Co. KG
Klingenbergstraße 26
D-32758 Detmold
Germany

www.weidmueller.com

Drawings

Dimensional drawing



Application

