

VPU AC II 2 150/50

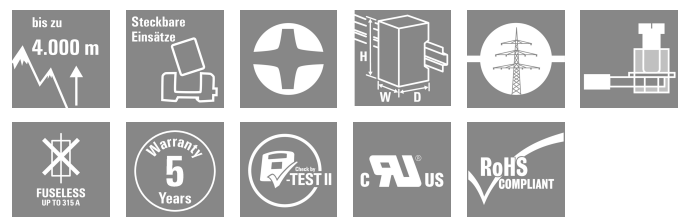
Weidmüller Interface GmbH & Co. KG

Klingenbergstraße 26

D-32758 Detmold

Germany

www.weidmueller.com



Weidmüller VPU I (Type I), VPU II (Type II) and VPU III (Type III) surge protection products effectively reduce the interference coupling that can occur due to transient surge voltages, even significantly below the limits prescribed by insulation co-ordination according to EN 60664-3 / DIN VDE 0110-3. This means that the whole installation is exposed to fewer malfunctions. The arresters are co-ordinated using technical means. This means that decoupling between Types I, II and III is unnecessary. The arresters are tested according to product standard IEC 61643-11 / DIN EN 61643-11 and can be installed in systems according to IEC 61643-12 / VDE 0675-6-12 and IEC 62305-4 / VDE 0185-4. This lightning and surge protection device is suited for installation in power supply systems. Weidmüller offers different products depending on the particular mains network type and voltage level. A special Type I and Type II protective device is even available for photovoltaic applications.

General ordering data

Version	Surge voltage arrester, Low voltage, Surge protection, Single-phase, TN-S
Order No.	2591670000
Type	VPU AC II 2 150/50
GTIN (EAN)	4050118599275
Qty.	1 items

VPU AC II 2 150/50

Weidmüller Interface GmbH & Co. KG

Klingenbergstraße 26

D-32758 Detmold

Germany

www.weidmueller.com

Technical data

Approvals

Approvals



ROHS Conform

UL File Number Search [UL Website](#)

Certificate No. (cURus) E354261

Dimensions and weights

Depth	68 mm	Depth (inches)	2.6772 inch
Depth including DIN rail	76 mm	Height	90 mm
Height (inches)	3.5433 inch	Width	36 mm
Width (inches)	1.4173 inch	Net weight	263 g

Temperatures

Storage temperature	-40 °C...85 °C	Ambient temperature	-40 °C...85 °C
Operating temperature	-40 °C...85 °C	Humidity	5 - 95% rel. humidity

Environmental Product Compliance

RoHS Compliance Status	Compliant without exemption
REACH SVHC	No SVHC above 0.1 wt%

Rated data UL

Ambient temperature (operational), max. 85 °C	Rated Voltage UN	120 V
VPR (N-PE)	MCOV (L-PE)	150 V
MCOV (L/N-PE)	MCOV (N-PE)	150 V
SCCR	In	20 kA
Category	Ambient temperature (operational), min. -40 °C	
Certificate No. (cURus)	MODE	all modes
VPR (L-N)	VPR (L-PE)	600 V
Voltage type	UL Energy Networks	Split-Phase

Connection data, remote alert

Connection type	PUSH IN
-----------------	---------

General data

Optical function display	green = OK; red = arrester is defective - replace	Segment	Power distribution
Version	Surge protection	Design	Installation housing; 2TE, Insta IP 20
UL 94 flammability rating	V-0	Colour	orange, black
Protection degree	IP20 in installed state	Mounting rail	TS 35
Operating altitude	≤ 4000 m		

Insulation coordination acc. to EN 50178

Surge voltage category	III	Pollution severity	2
------------------------	-----	--------------------	---

VPU AC II 2 150/50

Weidmüller Interface GmbH & Co. KG

Klingenbergstraße 26
D-32758 Detmold
Germany

www.weidmueller.com

Technical data

Rated data IEC / EN

Number of poles	2	Combined pulse UOC	6 kV
Leakage current at Un	0.4 mA	Signalling contact	No
Rated voltage (AC)	120 V	Low voltage network	Single-phase, TN-S
Voltage type	AC	Temporary surge voltage (over-voltage) - TOV	229 V
Fuse protection	No Fuse necessary ≤315 A gG, 250 A gG @50 kA Iscrr, 315 A gG @25 kA Iscrr	Response time / fallback time	≤ 25 ns
Frequency range, max.	60 Hz	Frequency range, min.	50 Hz
Standards	IEC 61643-11, EN 61643-11, UL 1449	Requirements class, acc. to EN 61643-11	T2, T3
Requirements category acc. to IEC 61643-11	Type II, Type III	Max. continuous voltage, U _c (AC)	150 V
Mains voltage	120 V / 240 V	Energy coordination (≤10 m)	Type II, Type III
Discharge current I _n (8/20μs) wire-PE	20 kA	Discharge current I _{max} (8/20μs) wire-PE	50 kA
SPD type	T2	Protection level U _p at I _n (L/N-PE)	≤ 1.25 kV
Short-circuit current rating ISCCR	50 kA	Discharge current (type III)	3 kA
Follow-on current extinguishing capability I _{fi}	Follow current need not be taken into account	Integrated back-up fuse	No

Connection data

Stripping length	18 mm	Wire connection method	Screw connection
Type of connection	Screw connection	Stripping length, rated connection	18 mm
Tightening torque, min.	3 Nm	Tightening torque, max.	4.5 Nm
Clamping range, rated connection	16 mm ²	Clamping range, min.	1.5 mm ²
Clamping range, max.	35 mm ²	Wire connection cross section AWG, min.	AWG 16
Wire connection cross section AWG, max.	AWG 2	Wire cross-section, solid, min.	1.5 mm ²
Wire cross-section, solid, max.	35 mm ²	Wire connection cross section, finely stranded, min.	1.5 mm ²
Wire connection cross section, finely stranded, max.	25 mm ²	Connection cross-section, stranded, min.	1.5 mm ²
Connection cross-section, stranded, max.	35 mm ²		

Electrical data

Voltage type	AC
--------------	----

General data

Number of poles	2	Protection degree	IP20 in installed state
Colour	orange, black		

Guarantee

Time interval	5 years
---------------	---------

Important note

Product information	For use in DC applications, please use the fuse of SIBA Type NH2XL aR/aSF DC 1500 V
---------------------	---

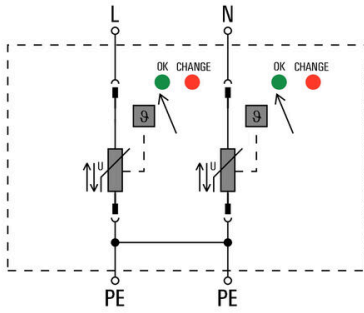
Technical data

Classifications

ETIM 8.0	EC000941	ETIM 9.0	EC000941
ETIM 10.0	EC000941	ECLASS 14.0	27-17-12-02
ECLASS 15.0	27-17-12-02		

Drawings

Electric symbol



Schematic circuit diagram