

IE-CDM-V14MRJSCP/VAPM-C II

Weidmüller Interface GmbH & Co. KG
Klingenbergstraße 26
D-32758 Detmold
Germany

www.weidmueller.com



FreeCon Active PROFINET media converter with diagnostic functionality, for PushPull Var.14 plug-in connector acc. to IEC 61076-3-117 with RJ45 and SC-RJ POF acc. to IEC 61754-24 and PushPull Power acc. to PROFINET specification.

General ordering data

Version	POF media converter, FreeCon, IP65
Order No.	2588270000
Type	IE-CDM-V14MRJSCP/VAPM-C II
GTIN (EAN)	4050118598322
Qty.	1 items

IE-CDM-V14MRJSCP/VAPM-C II

Weidmüller Interface GmbH & Co. KG
 Klingenbergstraße 26
 D-32758 Detmold
 Germany

www.weidmueller.com

Technical data

Approvals

Approvals



ROHS Conform

UL File Number Search [UL Website](#)

Certificate no. (cULus) E141197

Dimensions and weights

Depth	130.4 mm	Depth (inches)	5.1338 inch
Height	53 mm	Height (inches)	2.0866 inch
Width	100 mm	Width (inches)	3.937 inch
Net weight	557.7 g		

Temperatures

Storage temperature	Operating temperature	-20 °C...55 °C
Installation temperature		

Environmental Product Compliance

RoHS Compliance Status	Compliant with exemption
RoHS Exemption (if applicable/known)	6c
REACH SVHC	Lead 7439-92-1
SCIP	b14ea46f-06a9-4191-9f88-14cc6c04a8a8

General data

UL 94 flammability rating	V-0	Housing main material	Aluminium profile, Cover: die-cast zinc, electroplated
Type of mounting	None	Protection degree	IP65
Plugging cycles	≥ 100	Wiring	PROFINET
Power interface	PROFINET PushPull Power	Data interface	PROFINET PushPull SCRJ POF (V14), PROFINET PushPull RJ45 (V14)

Electrical properties

Voltage type	DC	Baud rate	100 MB
Operating voltage	24 V	Protocol	PROFINET IRT
Current consumption	200 mA typical	LED indicator	P1: port active, P2: port active, SF: general error, BF: bus error, US1: voltage 1 (electronics), US2: voltage 2, ACT1: activity Port1, ACT2: activity Port2
Operational voltage range	18...30 V DC		

General standards

PROFINET specification	Conformance Class C acc. V2.3	Connector standard	IEC 61076-3-117 Var. 14, IEC 61754-24, IEC 60603-7-51
Network standard	IEC 61158, IEC 61784	Certificate no. (cULus)	E141197

IE-CDM-V14MRJSCP/VAPM-C II

Weidmüller Interface GmbH & Co. KG
Klingenbergstraße 26
D-32758 Detmold
Germany

www.weidmueller.com

Technical data

Important note

Product information Further development of 1324440000, IE-CDM-V14MRJSCP/VAPM-C. For commissioning, the new GSDML file (see Downloads) must be installed.

Classifications

ETIM 8.0	EC001467	ETIM 9.0	EC001467
ETIM 10.0	EC001467	ECLASS 14.0	19-17-01-32
ECLASS 15.0	19-17-01-32		

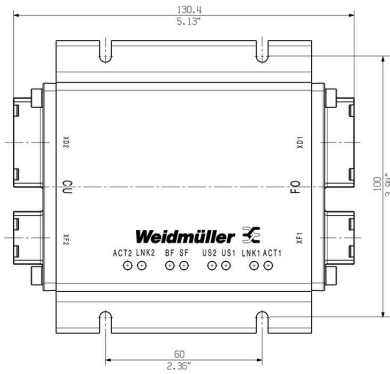
IE-CDM-V14MRJSCP/VAPM-C II

Weidmüller Interface GmbH & Co. KG
 Klingenbergstraße 26
 D-32758 Detmold
 Germany

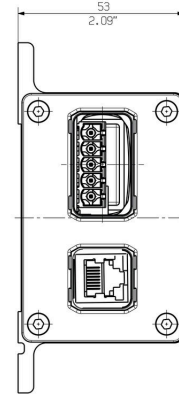
Drawings

www.weidmueller.com

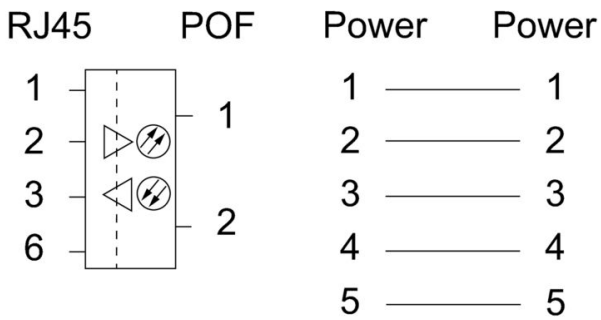
Dimensioned drawing



Dimensioned drawing



Wiring diagram



IE-CDM-V14MRJSCP/VAPM-C II

Weidmüller Interface GmbH & Co. KG
 Klingenbergstraße 26
 D-32758 Detmold
 Germany

www.weidmueller.com

Accessories

Sets



PushPull Power plug-in connector according to PROFINET specification

General ordering data

Type	IE-PS-VAPM-5P-2.5	Version	
Order No.	2465440000	Power connector, Plug, PROFINET, Set of connectors	
GTIN (EAN)	4050118522136		
Qty.	1 ST		

Sets - RJ45

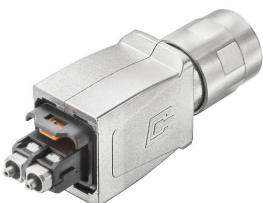


PushPull plug-in connector set according to IEC 61076-3-117 ver.14 (PROFINET), metal incl. RJ45 insert

General ordering data

Type	IE-PS-V14M-RJ45-FH-P	Version	
Order No.	1012170000	Plug insert RJ45 tool-free, Variant 14 metal, Cat.5 (ISO/IEC 11801)	
GTIN (EAN)	4032248719815		
Qty.	10 ST		

SC-RJ



PushPull plug-in connector set according to IEC 61076-3-117 ver.14 (PROFINET), metal incl. SC insert

General ordering data

Type	IE-PS-V14M-2SC-POF	Version	
Order No.	1191550000	FO connector, Version 14, SC-RJ POF, IP67	
GTIN (EAN)	4032248974436		
Qty.	10 ST		

IE-CDM-V14MRJSCP/VAPM-C II

Weidmüller Interface GmbH & Co. KG
Klingenbergstraße 26
D-32758 Detmold
Germany

www.weidmueller.com

Accessories

Type	IE-PS-V14M-2SC-POF-QA	Version	
Order No.	2568260000		FO connector, Version 14, SC-RJ POF, reconnectable, IP67
GTIN (EAN)	4050118578928		
Qty.	10 ST		