

IE-CDM-V14MRJSCP/VAPM-C II

Weidmüller Interface GmbH & Co. KG
Klingenbergstraße 26
D-32758 Detmold
Germany

www.weidmueller.com



FreeCon Active PROFINET media converter with diagnostic functionality, for PushPull Var.14 plug-in connector acc. to IEC 61076-3-117 with RJ45 and SC-RJ POF acc. to IEC 61754-24 and PushPull Power acc. to PROFINET specification.

General ordering data

| | |
|------------|------------------------------------|
| Version | POF media converter, FreeCon, IP65 |
| Order No. | 2588270000 |
| Type | IE-CDM-V14MRJSCP/VAPM-C II |
| GTIN (EAN) | 4050118598322 |
| Qty. | 1 items |

IE-CDM-V14MRJSCP/VAPM-C II

Weidmüller Interface GmbH & Co. KG
 Klingenbergstraße 26
 D-32758 Detmold
 Germany

www.weidmueller.com

Technical data

Approvals

Approvals



ROHS Conform

UL File Number Search [UL Website](#)

Certificate no. (cULus) E141197

Dimensions and weights

| | | | |
|------------|----------|-----------------|-------------|
| Depth | 130.4 mm | Depth (inches) | 5.1338 inch |
| Height | 53 mm | Height (inches) | 2.0866 inch |
| Width | 100 mm | Width (inches) | 3.937 inch |
| Net weight | 557.7 g | | |

Temperatures

| | | |
|--------------------------|-----------------------|----------------|
| Storage temperature | Operating temperature | -20 °C...55 °C |
| Installation temperature | | |

Environmental Product Compliance

| | |
|--------------------------------------|--------------------------------------|
| RoHS Compliance Status | Compliant with exemption |
| RoHS Exemption (if applicable/known) | 6c |
| REACH SVHC | Lead 7439-92-1 |
| SCIP | b14ea46f-06a9-4191-9f88-14cc6c04a8a8 |

General data

| | | | |
|---------------------------|-------------------------|-----------------------|----------------------------------------------------------------|
| UL 94 flammability rating | V-0 | Housing main material | Aluminium profile, Cover: die-cast zinc, electroplated |
| Type of mounting | None | Protection degree | IP65 |
| Plugging cycles | ≥ 100 | Wiring | PROFINET |
| Power interface | PROFINET PushPull Power | Data interface | PROFINET PushPull SCRJ POF (V14), PROFINET PushPull RJ45 (V14) |

Electrical properties

| | | | |
|---------------------------|----------------|---------------|--------------------------------------------------------------------------------------------------------------------------------------------------------------|
| Voltage type | DC | Baud rate | 100 MB |
| Operating voltage | 24 V | Protocol | PROFINET IRT |
| Current consumption | 200 mA typical | LED indicator | P1: port active, P2: port active, SF: general error, BF: bus error, US1: voltage 1 (electronics), US2: voltage 2, ACT1: activity Port1, ACT2: activity Port2 |
| Operational voltage range | 18...30 V DC | | |

General standards

| | | | |
|------------------------|-------------------------------|-------------------------|-------------------------------------------------------|
| PROFINET specification | Conformance Class C acc. V2.3 | Connector standard | IEC 61076-3-117 Var. 14, IEC 61754-24, IEC 60603-7-51 |
| Network standard | IEC 61158, IEC 61784 | Certificate no. (cULus) | E141197 |

IE-CDM-V14MRJSCP/VAPM-C II

Weidmüller Interface GmbH & Co. KG
Klingenbergstraße 26
D-32758 Detmold
Germany

www.weidmueller.com

Technical data**Important note**

Product information Further development of 1324440000, IE-CDM-V14MRJSCP/VAPM-C. For commissioning, the new GSDML file (see Downloads) must be installed.

Classifications

| | | | |
|-------------|-------------|-------------|-------------|
| ETIM 8.0 | EC001467 | ETIM 9.0 | EC001467 |
| ETIM 10.0 | EC001467 | ECLASS 14.0 | 19-17-01-32 |
| ECLASS 15.0 | 19-17-01-32 | | |

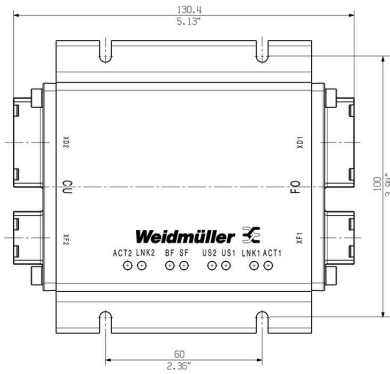
IE-CDM-V14MRJSCP/VAPM-C II

Weidmüller Interface GmbH & Co. KG
 Klingenbergstraße 26
 D-32758 Detmold
 Germany

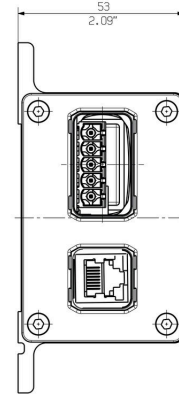
Drawings

www.weidmueller.com

Dimensioned drawing



Dimensioned drawing



Wiring diagram

