

HDC HQP TOLU 1PG16 VE100

Weidmüller Interface GmbH & Co. KG
 Klingenbergstraße 26
 D-32758 Detmold
 Germany

www.weidmueller.com



IP65

The special die-cast alloy and the multi-layered surface sealing provide complete protection for the HDC housings.

The cleverly designed interlock system is manufactured from stainless steel. This guarantees a long lifespan with high resistance to corrosion and impact.

The housing interlock system provides integrated safety. Our unique, patented spring system provides the housing interlock with a secure grip and prevents accidental opening.

The laser marking allows for easy and quick identification. Each housing is permanently labelled with a laser marking so that each product can be quickly designated and positioned.

Weidmüller RockStar® IP 65 / NEMA Type 4X housings - your first choice for industrial housings with IP 65 protection. The HQ version now offers particular protection - the bulkhead housing (cover and metal clamp) can be secured with a padlock.

General ordering data

Version	HDC enclosures, Installation size: HQ, Protection degree: IP65, in plugged condition, Cable entry from top, Plug housing, Side-locking clamp on lower side, Standard, Size of cable entries: PG 16
Order No.	2587320000
Type	HDC HQP TOLU 1PG16 VE100
GTIN (EAN)	4050118617740
Qty.	100 items

HDC HQP TOLU 1PG16 VE100

Weidmüller Interface GmbH & Co. KG
 Klingenbergstraße 26
 D-32758 Detmold
 Germany

www.weidmueller.com

Technical data

Approvals

Approvals



ROHS Conform

Dimensions and weights

Depth	35 mm	Depth (inches)	1.378 inch
Height	54 mm	Height (inches)	2.126 inch
Width	48 mm	Width (inches)	1.8898 inch
Length	48 mm	Length (inches)	1.8898 inch
Net weight	16.33 g		

Temperatures

Limit temperature -40 °C ... 125 °C

Environmental Product Compliance

RoHS Compliance Status	Compliant without exemption	
REACH SVHC	Potassium perfluorobutane sulfonate 29420-49-3	
SCIP	2f94735a-9fba-4903-842f-4fb9aa902310	
Chemical resistance	Substance	Acetone
	Chemical resistance	Conditionally resistant
	Substance	Drilling oil
	Chemical resistance	Resistant
	Substance	Diesel
	Chemical resistance	Resistant
	Substance	Ethyl alcohol
	Chemical resistance	Resistant
	Substance	Transmission oil
	Chemical resistance	Resistant
	Substance	Hydraulic oil
	Chemical resistance	Resistant
	Substance	Coolant
	Chemical resistance	Resistant
	Substance	Petroleum benzine
	Chemical resistance	Resistant
	Substance	Sweat
	Chemical resistance	Resistant
	Substance	Premium gasoline
	Chemical resistance	Conditionally resistant
Substance	Water	
Chemical resistance	Resistant	
Substance	UV	
Chemical resistance	Unstable	
Substance	Ozone	
Chemical resistance	Unstable	

Dimensions

Cable entry	w. thread	Width housing C	28.8 mm
Total length housing	48 mm	Height of housing B	67 mm

HDC HQP TOLU 1PG16 VE100

Weidmüller Interface GmbH & Co. KG
 Klingenbergstraße 26
 D-32758 Detmold
 Germany

www.weidmueller.com

Technical data

General data

UL 94 flammability rating	V-0	Surface finish	untreated
Protection degree	IP65, in plugged condition	Series	HQ

Version

Number of cable glands	0	Size of cable entries	PG 16
Top part/bottom part/lid	upper part	Cover	without cover
Number of cable entry on top	1	Number of cable entry sideways	0
Design of housing	Cable entry from top, Plug housing	Design of locking system	Side-locking clamp on lower side
Design	Standard	Installation size	HQ
Cable entry	w. thread	Type	Plug
Clamp version	Side-locking clamp	Sealing	no sealing
External thread	PG 16	Colour (RAL)	RAL 1001
BG	HQ	Suitable for ModuPlug®	No

Classifications

ETIM 8.0	EC000437	ETIM 9.0	EC000437
ETIM 10.0	EC000437	ECLASS 14.0	27-44-02-02
ECLASS 15.0	27-44-02-02		

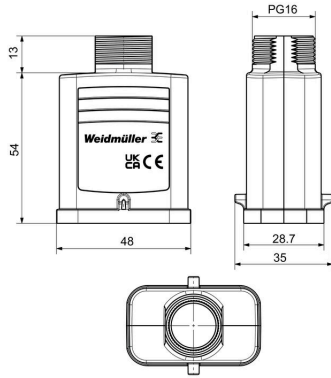
HDC HQP TOLU 1PG16 VE100

Weidmüller Interface GmbH & Co. KG
Klingenbergstraße 26
D-32758 Detmold
Germany

Drawings

www.weidmueller.com

Drawing



HDC HQP TOLU 1PG16 VE100

Weidmüller Interface GmbH & Co. KG
 Klingenbergstraße 26
 D-32758 Detmold
 Germany

www.weidmueller.com

Accessories

Cover



The special die-cast alloy and the multi-layered surface sealing provide complete protection for the HDC housings.

The cleverly designed interlock system is manufactured from stainless steel. This guarantees a long lifespan with high resistance to corrosion and impact.

The housing interlock system provides integrated safety. Our unique, patented spring system provides the housing interlock with a secure grip and prevents accidental opening.

The laser marking allows for easy and quick identification. Each housing is permanently labelled with a laser marking so that each product can be quickly designated and positioned.

Weidmüller RockStar® IP 65 / NEMA Type 4X housings - your first choice for industrial housings with IP 65 protection. The HQ version now offers particular protection - the bulkhead housing (cover and metal clamp) can be secured with a padlock.

General ordering data

Type	HDC HQP DOD 2BO CS	Version
Order No.	1251670000	HDC enclosures, Installation size: HQ, Protection degree: IP65, in plugged condition, Cover for lower part of housing, Side-locking clamp on lower side, , Size of cable entries: none
GTIN (EAN)	4050118052329	
Qty.	1 ST	
Type	HDC HQP DOD 2BO	Version
Order No.	1003140000	HDC enclosures, Installation size: HQ, Protection degree: IP65, in plugged condition, Cover for lower part of housing, Side-locking clamp on lower side, Standard, Size of cable entries: none
GTIN (EAN)	4032248698073	
Qty.	1 ST	
Type	HDC HQP DMD 2BO CS	Version
Order No.	1251660000	HDC enclosures, Installation size: HQ, Protection degree: IP65, in plugged condition, Cover for lower part of housing, Side-locking clamp on lower side, , Size of cable entries: none
GTIN (EAN)	4050118052312	
Qty.	1 ST	
Type	HDC HQP DMD 2BO	Version
Order No.	1003130000	HDC enclosures, Installation size: HQ, Protection degree: IP65, in plugged condition, Cover for lower part of housing, Side-locking clamp on lower side, Standard, Size of cable entries: none
GTIN (EAN)	4032248698066	
Qty.	1 ST	

HDC HQP TOLU 1PG16 VE100

Weidmüller Interface GmbH & Co. KG
 Klingenbergstraße 26
 D-32758 Detmold
 Germany

www.weidmueller.com

Accessories

Bulkhead housing



The special die-cast alloy and the multi-layered surface sealing provide complete protection for the HDC housings.

The cleverly designed interlock system is manufactured from stainless steel. This guarantees a long lifespan with high resistance to corrosion and impact.

The housing interlock system provides integrated safety. Our unique, patented spring system provides the housing interlock with a secure grip and prevents accidental opening.

The laser marking allows for easy and quick identification. Each housing is permanently labelled with a laser marking so that each product can be quickly designated and positioned.

Weidmüller RockStar® IP 65 / NEMA Type 4X housings - your first choice for industrial housings with IP 65 protection. The HQ version now offers particular protection - the bulkhead housing (cover and metal clamp) can be secured with a padlock.

General ordering data

Type	HDC HQP ALU	Version
Order No.	1003040000	HDC enclosures, Installation size: HQ, Protection degree: IP65, in
GTIN (EAN)	4032248697977	plugged condition, Bulkhead housing, Side-locking clamp on lower
Qty.	1 ST	side, Standard, Size of cable entries: none
Type	HDC HQP ALU CS	Version
Order No.	1354950000	HDC enclosures, Installation size: HQ, Protection degree: IP65, in
GTIN (EAN)	4050118157215	plugged condition, Bulkhead housing, Side-locking clamp on lower
Qty.	1 ST	side, Standard, Size of cable entries: none

Angled bulkhead housing



The special die-cast alloy and the multi-layered surface sealing provide complete protection for the HDC housings.

The cleverly designed interlock system is manufactured from stainless steel. This guarantees a long lifespan with high resistance to corrosion and impact.

The housing interlock system provides integrated safety. Our unique, patented spring system provides the housing interlock with a secure grip and prevents accidental opening.

The laser marking allows for easy and quick identification. Each housing is permanently labelled with a laser marking so that each product can be quickly designated and positioned.

Weidmüller RockStar® IP 65 / NEMA Type 4X housings - your first choice for industrial housings with IP 65 protection. The HQ version now offers particular protection - the bulkhead housing (cover and metal clamp) can be secured with a padlock.

HDC HQP TOLU 1PG16 VE100

Weidmüller Interface GmbH & Co. KG
 Klingenbergstraße 26
 D-32758 Detmold
 Germany

www.weidmueller.com

Accessories

General ordering data

Type	HDC HQP AWLU	Version
Order No.	1003060000	HDC enclosures, Installation size: HQ, Protection degree: IP65, in plugged condition, Bulkhead housing, Side-locking clamp on lower side, Standard, Size of cable entries: none
GTIN (EAN)	4032248697991	
Qty.	1 ST	

Base housing



The special die-cast alloy and the multi-layered surface sealing provide complete protection for the HDC housings.

The cleverly designed interlock system is manufactured from stainless steel. This guarantees a long lifespan with high resistance to corrosion and impact.

The housing interlock system provides integrated safety. Our unique, patented spring system provides the housing interlock with a secure grip and prevents accidental opening.

The laser marking allows for easy and quick identification. Each housing is permanently labelled with a laser marking so that each product can be quickly designated and positioned.

Weidmüller RockStar® IP 65 / NEMA Type 4X housings - your first choice for industrial housings with IP 65 protection. The HQ version now offers particular protection - the bulkhead housing (cover and metal clamp) can be secured with a padlock.

General ordering data

Type	HDC HQP SLU 1PG16	Version
Order No.	1003110000	HDC enclosures, Installation size: HQ, Protection degree: IP65, in plugged condition, Base housing, Side-locking clamp on lower side, Standard, Size of cable entries: PG 16
GTIN (EAN)	4032248698042	
Qty.	1 ST	

Coupling housing



The special die-cast alloy and the multi-layered surface sealing provide complete protection for the HDC housings.

The cleverly designed interlock system is manufactured from stainless steel. This guarantees a long lifespan with high resistance to corrosion and impact.

The housing interlock system provides integrated safety. Our unique, patented spring system provides the housing interlock with a secure grip and prevents accidental opening.

The laser marking allows for easy and quick identification. Each housing is permanently labelled with a laser marking so that each product can be quickly designated and positioned.

Weidmüller RockStar® IP 65 / NEMA Type 4X housings - your first choice for industrial housings with IP 65 protection. The HQ version now offers particular protection - the bulkhead housing (cover and metal clamp) can be secured with a padlock.

HDC HQP TOLU 1PG16 VE100

Weidmüller Interface GmbH & Co. KG
 Klingenbergstraße 26
 D-32758 Detmold
 Germany

www.weidmueller.com

Accessories

General ordering data

Type	HDC HQP KOLU 1PG16	Version
Order No.	1003120000	HDC enclosures, Installation size: HQ, Protection degree: IP65, in plugged condition, Coupling housing, Side-locking clamp on lower side, Standard, Size of cable entries: PG 16
GTIN (EAN)	4032248698059	
Qty.	1 ST	

Bulkhead housing



The special die-cast alloy and the multi-layered surface sealing provide complete protection for the HDC housings.

The cleverly designed interlock system is manufactured from stainless steel. This guarantees a long lifespan with high resistance to corrosion and impact.

The housing interlock system provides integrated safety. Our unique, patented spring system provides the housing interlock with a secure grip and prevents accidental opening.

The laser marking allows for easy and quick identification. Each housing is permanently labelled with a laser marking so that each product can be quickly designated and positioned.

Weidmüller RockStar® IP 65 / NEMA Type 4X housings - your first choice for industrial housings with IP 65 protection. The HQ version now offers particular protection - the bulkhead housing (cover and metal clamp) can be secured with a padlock.

General ordering data

Type	HDC HQM ALU	Version
Order No.	1003050000	HDC enclosures, Installation size: HQ, Protection degree: IP65, in plugged condition, Bulkhead housing, Side-locking clamp on lower side, Standard, Size of cable entries: none
GTIN (EAN)	4032248697984	
Qty.	1 ST	
Type	HDC HQM ALU CS	Version
Order No.	1251680000	HDC enclosures, Installation size: HQ, Protection degree: IP65, in plugged condition, Bulkhead housing, Side-locking clamp on lower side, Standard, Size of cable entries: none
GTIN (EAN)	4050118051803	
Qty.	1 ST	

17-pole



The HQ series - big features in a compact design The electrical values speak for themselves. The standard HE crimp contacts can also be used here.

The wire connection level is designed as a crimp contact The established crimp connection has been used as a standard for decades.

Crimp contacts are not delivered with the inserts.

Pole count: 17 (+PE)

Rated current: 10 A

Rated voltage 250 V

Nominal voltage acc. to UL/CSA: 600 V AC/DC

Crimp connection

HDC HQP TOLU 1PG16 VE100

Weidmüller Interface GmbH & Co. KG
 Klingenbergstraße 26
 D-32758 Detmold
 Germany

www.weidmueller.com

Accessories

General ordering data

Type	HDC HQ 17 FC	Version
Order No.	1003200000	HDC insert, Female, 250 V, 10 A, Number of poles: 17, Crimp connection, Installation size: HQ
GTIN (EAN)	4032248698196	
Qty.	1 ST	
Type	HDC HQ 17 MC	Version
Order No.	1003210000	HDC insert, Male, 250 V, 10 A, Number of poles: 17, Crimp connection, Installation size: HQ
GTIN (EAN)	4032248698202	
Qty.	1 ST	

4/2-pole



The HQ series - big features in a compact design. The electrical characteristics speak for themselves. You can also use the proven HD and HX crimp contacts here. The wire connection level is designed for crimp contacts. The proven crimp connection has been in standard use for decades.

Crimp contacts are not included in the scope of delivery of inserts.

Pole count: 4/2 (+PE)

Rated current: 40/10 A

Rated voltage: 690 / 250 V

Rated voltage acc. to UL/CSA: 600 V AC/DC

General ordering data

Type	HDC HQ 4/2 FC	Version
Order No.	1003160000	HDC insert, Female, 690 V, 40 A, Number of poles: 6, Crimp connection, Installation size: HQ
GTIN (EAN)	4032248698158	
Qty.	1 ST	
Type	HDC HQ 4/2 MC	Version
Order No.	1003170000	HDC insert, Male, 690 V, 40 A, Number of poles: 6, Crimp connection, Installation size: HQ
GTIN (EAN)	4032248698165	
Qty.	1 ST	

8-pole



A small size but quite big. The electrical values speak for themselves. Proven HE crimp contacts can also be used here.

Pole count: 8 (+PE)

Rated current: 16 A

Rated voltage: 500 V

Nominal voltage acc. to UL/CSA: 600 V AC/DC

General ordering data

Type	HDC HQ 8 MC	Version
Order No.	1919970000	HDC insert, Male, 500 V, 16 A, Number of poles: 8, Crimp connection, Installation size: HQ
GTIN (EAN)	4032248557943	
Qty.	1 ST	

HDC HQP TOLU 1PG16 VE100

Weidmüller Interface GmbH & Co. KG
 Klingenbergstraße 26
 D-32758 Detmold
 Germany

www.weidmueller.com

Accessories

Type	HDC HQ 8 FC	Version
Order No.	1919980000	HDC insert, Female, 500 V, 16 A, Number of poles: 8, Crimp connection, Installation size: HQ
GTIN (EAN)	4032248557950	
Qty.	1 ST	

HQ version for HDC



In addition to the extensive range of enclosures, Weidmüller offers a variety of cable glands for a wide range of applications. The cable glands made of brass, plastic and stainless steel meet the most various IP protection classes to suit any industrial enclosure. Depending on the series of cable glands and the application, the cable glands are approved and tested according to VDE, UL, UR, cULus, DNV GL or EN 45545.

General ordering data

Type	VG 16 HQ K68 4-6.5	Version
Order No.	2715990000	Heavy-duty connectors, Accessories, Cable glands, Polycarbonate
GTIN (EAN)	4050118769821	
Qty.	1 ST	
Type	VG 16 HQ K68 6.5-9.5	Version
Order No.	1273890000	Heavy-duty connectors, Accessories, Cable glands, Polycarbonate
GTIN (EAN)	4050118063233	
Qty.	1 ST	
Type	VG 16 HQ K68 9-13	Version
Order No.	1016070000	Heavy-duty connectors, Accessories, Cable glands, Polycarbonate
GTIN (EAN)	4032248725526	
Qty.	1 ST	
Type	VG16 HQ K68 9-12SH	Version
Order No.	1045530000	Heavy-duty connectors, Accessories, Cable glands, Polycarbonate
GTIN (EAN)	4032248779437	
Qty.	50 ST	
Type	VG 16 HQ K68 11.5-15.5	Version
Order No.	1016080000	Heavy-duty connectors, Accessories, Cable glands, Polycarbonate
GTIN (EAN)	4032248725533	
Qty.	1 ST	
Type	VG16 HQ K68 11,5-15,5SH	Version
Order No.	1045540000	Heavy-duty connectors, Accessories, Cable glands, Polycarbonate
GTIN (EAN)	4032248779444	
Qty.	1 ST	

HDC HQP TOLU 1PG16 VE100

Weidmüller Interface GmbH & Co. KG
 Klingenbergstraße 26
 D-32758 Detmold
 Germany

www.weidmueller.com

Counterpart

Bulkhead housing



The special die-cast alloy and the multi-layered surface sealing provide complete protection for the HDC housings.

The cleverly designed interlock system is manufactured from stainless steel. This guarantees a long lifespan with high resistance to corrosion and impact.

The housing interlock system provides integrated safety. Our unique, patented spring system provides the housing interlock with a secure grip and prevents accidental opening.

The laser marking allows for easy and quick identification. Each housing is permanently labelled with a laser marking so that each product can be quickly designated and positioned.

Weidmüller RockStar® IP 65 / NEMA Type 4X housings - your first choice for industrial housings with IP 65 protection. The HQ version now offers particular protection - the bulkhead housing (cover and metal clamp) can be secured with a padlock.

General ordering data

Type	HDC HQP ALU	Version
Order No.	1003040000	HDC enclosures, Installation size: HQ, Protection degree: IP65, in
GTIN (EAN)	4032248697977	plugged condition, Bulkhead housing, Side-locking clamp on lower
Qty.	1 ST	side, Standard, Size of cable entries: none
Type	HDC HQP ALU CS	Version
Order No.	1354950000	HDC enclosures, Installation size: HQ, Protection degree: IP65, in
GTIN (EAN)	4050118157215	plugged condition, Bulkhead housing, Side-locking clamp on lower
Qty.	1 ST	side, Standard, Size of cable entries: none

Angled bulkhead housing



The special die-cast alloy and the multi-layered surface sealing provide complete protection for the HDC housings.

The cleverly designed interlock system is manufactured from stainless steel. This guarantees a long lifespan with high resistance to corrosion and impact.

The housing interlock system provides integrated safety. Our unique, patented spring system provides the housing interlock with a secure grip and prevents accidental opening.

The laser marking allows for easy and quick identification. Each housing is permanently labelled with a laser marking so that each product can be quickly designated and positioned.

Weidmüller RockStar® IP 65 / NEMA Type 4X housings - your first choice for industrial housings with IP 65 protection. The HQ version now offers particular protection - the bulkhead housing (cover and metal clamp) can be secured with a padlock.

HDC HQP TOLU 1PG16 VE100

Weidmüller Interface GmbH & Co. KG
 Klingenbergstraße 26
 D-32758 Detmold
 Germany

www.weidmueller.com

Counterpart

General ordering data

Type	HDC HQP AWLU	Version
Order No.	1003060000	HDC enclosures, Installation size: HQ, Protection degree: IP65, in plugged condition, Bulkhead housing, Side-locking clamp on lower side, Standard, Size of cable entries: none
GTIN (EAN)	4032248697991	
Qty.	1 ST	

Base housing



The special die-cast alloy and the multi-layered surface sealing provide complete protection for the HDC housings.

The cleverly designed interlock system is manufactured from stainless steel. This guarantees a long lifespan with high resistance to corrosion and impact.

The housing interlock system provides integrated safety. Our unique, patented spring system provides the housing interlock with a secure grip and prevents accidental opening.

The laser marking allows for easy and quick identification. Each housing is permanently labelled with a laser marking so that each product can be quickly designated and positioned.

Weidmüller RockStar® IP 65 / NEMA Type 4X housings - your first choice for industrial housings with IP 65 protection. The HQ version now offers particular protection - the bulkhead housing (cover and metal clamp) can be secured with a padlock.

General ordering data

Type	HDC HQP SLU 1PG16	Version
Order No.	1003110000	HDC enclosures, Installation size: HQ, Protection degree: IP65, in plugged condition, Base housing, Side-locking clamp on lower side, Standard, Size of cable entries: PG 16
GTIN (EAN)	4032248698042	
Qty.	1 ST	

Coupling housing



The special die-cast alloy and the multi-layered surface sealing provide complete protection for the HDC housings.

The cleverly designed interlock system is manufactured from stainless steel. This guarantees a long lifespan with high resistance to corrosion and impact.

The housing interlock system provides integrated safety. Our unique, patented spring system provides the housing interlock with a secure grip and prevents accidental opening.

The laser marking allows for easy and quick identification. Each housing is permanently labelled with a laser marking so that each product can be quickly designated and positioned.

Weidmüller RockStar® IP 65 / NEMA Type 4X housings - your first choice for industrial housings with IP 65 protection. The HQ version now offers particular protection - the bulkhead housing (cover and metal clamp) can be secured with a padlock.

HDC HQP TOLU 1PG16 VE100

Weidmüller Interface GmbH & Co. KG
 Klingenbergstraße 26
 D-32758 Detmold
 Germany

www.weidmueller.com

Counterpart

General ordering data

Type	HDC HQP KOLU 1PG16	Version
Order No.	1003120000	HDC enclosures, Installation size: HQ, Protection degree: IP65, in
GTIN (EAN)	4032248698059	plugged condition, Coupling housing, Side-locking clamp on lower
Qty.	1 ST	side, Standard, Size of cable entries: PG 16

Bulkhead housing



The special die-cast alloy and the multi-layered surface sealing provide complete protection for the HDC housings.

The cleverly designed interlock system is manufactured from stainless steel. This guarantees a long lifespan with high resistance to corrosion and impact.

The housing interlock system provides integrated safety. Our unique, patented spring system provides the housing interlock with a secure grip and prevents accidental opening.

The laser marking allows for easy and quick identification. Each housing is permanently labelled with a laser marking so that each product can be quickly designated and positioned.

Weidmüller RockStar® IP 65 / NEMA Type 4X housings - your first choice for industrial housings with IP 65 protection. The HQ version now offers particular protection - the bulkhead housing (cover and metal clamp) can be secured with a padlock.

General ordering data

Type	HDC HQM ALU	Version
Order No.	1003050000	HDC enclosures, Installation size: HQ, Protection degree: IP65, in
GTIN (EAN)	4032248697984	plugged condition, Bulkhead housing, Side-locking clamp on lower
Qty.	1 ST	side, Standard, Size of cable entries: none
Type	HDC HQM ALU CS	Version
Order No.	1251680000	HDC enclosures, Installation size: HQ, Protection degree: IP65, in
GTIN (EAN)	4050118051803	plugged condition, Bulkhead housing, Side-locking clamp on lower
Qty.	1 ST	side, Standard, Size of cable entries: none