

IE-CDR-V14MRJ/VAPM-C

Weidmüller Interface GmbH & Co. KG
Klingenbergstraße 26
D-32758 Detmold
Germany

www.weidmueller.com



FreeCon Active PROFINET repeater for PushPull Var. 14
plug-in connectors according to IEC 61076-3-117 and
PushPull Power according to the PROFINET specification

General ordering data

Version	PROFINET copper repeater, FreeCon, IP65
Order No.	2581810000
Type	IE-CDR-V14MRJ/VAPM-C
GTIN (EAN)	4050118590869
Qty.	1 items

IE-CDR-V14MRJ/VAPM-C

Weidmüller Interface GmbH & Co. KG
 Klingenbergstraße 26
 D-32758 Detmold
 Germany

www.weidmueller.com

Technical data

Approvals

Approvals



ROHS Conform

UL File Number Search [UL Website](#)

Certificate no. (cULus) E141197

Dimensions and weights

Depth	53 mm	Depth (inches)	2.0866 inch
Width	100 mm	Width (inches)	3.937 inch
Length	130.4 mm	Length (inches)	5.1338 inch
Net weight	661.8 g		

Temperatures

Storage temperature	Operating temperature	-20 °C...55 °C
Installation temperature		

Environmental Product Compliance

RoHS Compliance Status	Compliant with exemption
RoHS Exemption (if applicable/known)	6c
REACH SVHC	Lead 7439-92-1
SCIP	67cf1078-beca-4687-860b-dc475a6ec24a

General data

UL 94 flammability rating	V-0	Housing main material	Aluminium profile, Cover: die-cast zinc, electroplated
Type of mounting	4 screws	Protection degree	IP65
Power interface	PROFINET PushPull Power	Data interface	PROFINET PushPull RJ45 (V14)

Electrical properties

Voltage type	DC	Baud rate	100 MBit/s
Operating voltage	24 V	Protocol	PROFINET IRT
Current consumption	100 mA	LED indicator	ACT1: activity Port 1, ACT2: activity Port2, SF: general error, BF: bus error, US1: voltage 1 (electronics), US2: voltage 2, LNK1: port active, LNK2: port active
Operational voltage range	18...30 V DC		

General standards

PROFINET specification	Conformance Class C acc. V2.3	Connector standard	IEC 61076-3-117 Var. 14
Network standard	IEC 61158, IEC 61784	Certificate no. (cULus)	E141197

IE-CDR-V14MRJ/VAPM-C

Weidmüller Interface GmbH & Co. KG
Klingenbergstraße 26
D-32758 Detmold
Germany

www.weidmueller.com

Technical data

Classifications

ETIM 8.0	EC000732	ETIM 9.0	EC000732
ETIM 10.0	EC000732	ECLASS 14.0	19-17-02-06
ECLASS 15.0	19-17-02-06		

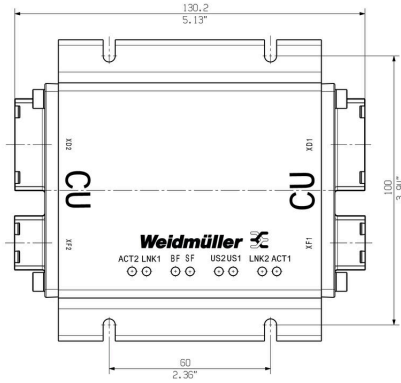
IE-CDR-V14MRJ/VAPM-C

Weidmüller Interface GmbH & Co. KG
 Klingenbergstraße 26
 D-32758 Detmold
 Germany

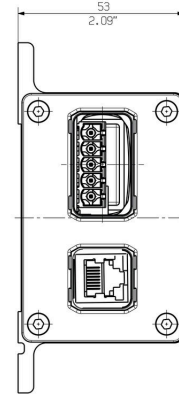
Drawings

www.weidmueller.com

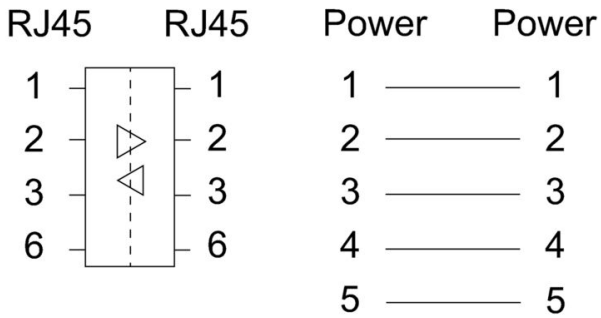
Dimensioned drawing



Dimensioned drawing



Wiring diagram



IE-CDR-V14MRJ/VAPM-C

Weidmüller Interface GmbH & Co. KG
 Klingenbergstraße 26
 D-32758 Detmold
 Germany

www.weidmueller.com

Accessories

Sets - RJ45

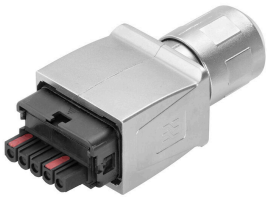


PushPull plug-in connector set according to IEC 61076-3-117 ver.14 (PROFINET), metal incl. RJ45 insert

General ordering data

Type	IE-PS-V14M-RJ45-FH-P	Version	
Order No.	1012170000	Plug insert RJ45 tool-free, Variant 14 metal, Cat.5 (ISO/IEC 11801)	
GTIN (EAN)	4032248719815		
Qty.	10 ST		

Sets



PushPull Power plug-in connector according to PROFINET specification

General ordering data

Type	IE-PS-VAPM-5P-2.5	Version	
Order No.	2465440000	Power connector, Plug, PROFINET, Set of connectors	
GTIN (EAN)	4050118522136		
Qty.	1 ST		