

DRIKITP 24VDC 1CO LD/PB

Weidmüller Interface GmbH & Co. KG
 Klingenbergstraße 26
 D-32758 Detmold
 Germany

www.weidmueller.com

Product image



Similar to illustration

- Mounted kit consisting relay, socket and retaining clip
- 100 % function tested
- 100 % check of the dielectric strenght between input - output
- 1 CO contact
- Optional: Test button with coloured identification of coils (AC red / DC blue)
- Bright status LED (AC coil: red / DC coil: green)

General ordering data

| | |
|------------|--|
| Version | D-SERIES DRI, Relay module, Number of contacts: 1, CO contact AgSnO, Rated control voltage: 24 V DC, Continuous current: 10 A, PUSH IN, Test button available: Yes |
| Order No. | 2576210000 |
| Type | DRIKITP 24VDC 1CO LD/PB |
| GTIN (EAN) | 4050118585971 |
| Qty. | 10 items |

DRIKITP 24VDC 1CO LD/PB

Weidmüller Interface GmbH & Co. KG
 Klingenbergstraße 26
 D-32758 Detmold
 Germany

www.weidmueller.com

Technical data

Approvals

Approvals



ROHS Conform

Dimensions and weights

| | | | |
|------------|----------|-----------------|-------------|
| Depth | 63 mm | Depth (inches) | 2.4803 inch |
| Height | 102.1 mm | Height (inches) | 4.0197 inch |
| Width | 15.9 mm | Width (inches) | 0.626 inch |
| Net weight | 56.24 g | | |

Temperatures

| | | | |
|-----------------------|----------------|---------------------|--|
| Storage temperature | -40 °C...85 °C | Ambient temperature | -40 °C...55 °C |
| Operating temperature | | Humidity | 35...85 % rel. humidity, no condensation |

Environmental Product Compliance

| | |
|------------------------|-----------------------------|
| RoHS Compliance Status | Compliant without exemption |
| REACH SVHC | No SVHC above 0.1 wt% |

Control side

| | | | |
|-----------------------|-----------|--------------------|---------------------|
| Rated control voltage | 24 V DC | Rated current DC | 21,8 mA |
| Power rating | 530 mW | Coil resistance | 1100 Ω ± 10 % |
| Status indicator | Green LED | Protective circuit | Free-wheeling diode |

Load side

| | | | |
|---|---------------------------------------|---|--|
| Rated switching voltage | 250 V AC | Continuous current | 10 A |
| Max. switching frequency at rated load | 0.1 Hz | Max. switching voltage, AC | 250 V |
| Max. switching voltage, DC | 250 V | AC switching capacity (resistive), max. | 2500 VA |
| DC switching capacity (resistive), max. | 240 W @ 24 V | Switch-on delay | ≤ 15 ms |
| Switch-off delay | ≤ 10 ms | Contact type | 1 CO contact (AgSnO) |
| Mechanical service life | 10 x 10 ⁶ switching cycles | Min. switching power | 10 mA @ 24 V, 10 mA @ 12 V, 100 mA @ 5 V |

General data

| | | |
|--------------------------------------|---|---------------|
| Mounting rail | TS 35 | |
| Test button available | Yes | |
| Version of test button | Lockable test button, Momentary test button | |
| Mechanical switch position indicator | No | |
| Colour | black | |
| UL94 flammability rating component | Component | Housing |
| | UL94 flammability rating | V-2 |
| | Component | Pusher |
| | UL94 flammability rating | HB |
| | Component | Mounting foot |
| | UL94 flammability rating | HB |
| Component | Retaining clip | |
| | UL94 flammability rating | HB |

DRIKITP 24VDC 1CO LD/PB

Weidmüller Interface GmbH & Co. KG

Klingenbergstraße 26

D-32758 Detmold

Germany

www.weidmueller.com

Technical data

| | |
|--------------------------|-------------------|
| Component | Relay cover |
| UL94 flammability rating | V-2 |
| Component | Relay baseplate |
| UL94 flammability rating | V-0 |
| Component | Relay test button |
| UL94 flammability rating | HB |

Insulation coordination

| | | | |
|---|-----------------|--|--------------------|
| Rated voltage | 300 V | Pollution severity | 2 |
| Surge voltage category | III | Insulating material group | IIIb |
| Clearance and creepage distances for control side - load side | ≥ 3 mm | Dielectric strength for control side - load side | 5 kVeff / 1min |
| Dielectric strength of open contact | 1 kVeff / 1 min | Impulse withstand voltage | 5 kV (1.2/50 µs) |
| Protection degree | IP20 | Impulse withstand voltage at neighbouring contacts | 4.8 kV (1.2/50 µs) |

Further details of approvals / standards

| | | | |
|-------------------------------|------------------------------|------------------------------|---------------------------|
| Relevant relay | DRI314024LTD | Relevant base | SDI 1CO P |
| Certificate no. (cURus) relay | E312083 | Certificate no. (cURus) base | E312083 |

Connection data

| | | | |
|---|---------------------|---|----------------------|
| Wire connection method | PUSH IN | Stripping length, rated connection | 10 mm |
| Clamping range, rated connection | 1.5 mm ² | Clamping range, min. | 0.14 mm ² |
| Clamping range, max. | 1.5 mm ² | Wire connection cross section AWG, min. | AWG 26 |
| Wire connection cross section AWG, max. | AWG 16 | Wire cross-section, solid, min. | 0.14 mm ² |
| Wire cross-section, solid, max. | 1.5 mm ² | Wire connection cross section, finely stranded, min. | 0.14 mm ² |
| Wire connection cross section, finely stranded, max. | 1.5 mm ² | Wire connection cross-section, finely stranded with wire-end ferrules DIN 46228/4, min. | 0.14 mm ² |
| Wire connection cross-section, finely stranded with wire-end ferrules DIN 46228/4, max. | 1 mm ² | Conductor cross-section, flexible, AEH (DIN 46228-1), min. | 0.14 mm ² |
| Conductor cross-section, flexible, AEH (DIN 46228-1), max. | 1.5 mm ² | Blade size | 0.4 x 2.5 mm |

Classifications

| | | | |
|-------------|-------------|-------------|-------------|
| ETIM 8.0 | EC001437 | ETIM 9.0 | EC001437 |
| ETIM 10.0 | EC001437 | ECLASS 14.0 | 27-37-16-01 |
| ECLASS 15.0 | 27-37-16-01 | | |

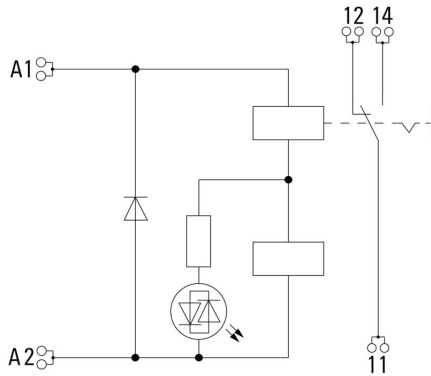
DRIKITP 24VDC 1CO LD/PB

Weidmüller Interface GmbH & Co. KG
 Klingenbergstraße 26
 D-32758 Detmold
 Germany

www.weidmueller.com

Drawings

Wiring diagram



Graph



DC load limit curve Resistive load

Graph



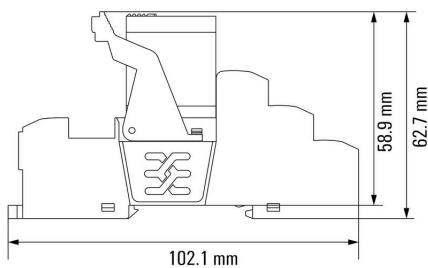
Electrical service life

Graph



DC operational voltage range

Dimensional drawing



Relay in combination with base

DRIKITP 24VDC 1CO LD/PB

Weidmüller Interface GmbH & Co. KG
 Klingenbergstraße 26
 D-32758 Detmold
 Germany

Drawings

www.weidmueller.com

Miscellaneous



Type codes