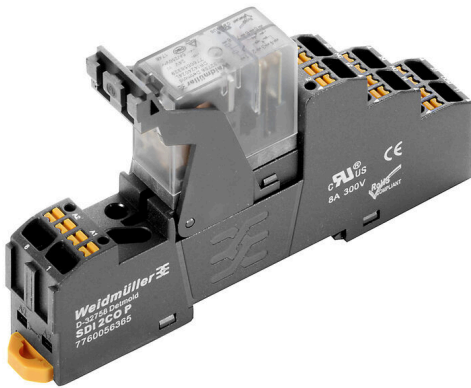


DRIKITP 24VDC 2CO LD

Weidmüller Interface GmbH & Co. KG
 Klingenbergstraße 26
 D-32758 Detmold
 Germany

www.weidmueller.com

Product image



Similar to illustration

- Mounted kit consisting relay, socket and retaining clip
- 100 % function tested
- 100 % check of the dielectric strenght between input - output
- 2 CO contacts
- Optional with mechanical status indicator
- Optional Test button with coloured identification of coils (AC red / DC blue)
- Bright status LED (AC coil: red / DC coil: green)

General ordering data

| | |
|------------|--|
| Version | D-SERIES DRI, Relay module, Number of contacts: 2, CO contact AgSnO, Rated control voltage: 24 V DC, Continuous current: 5 A, PUSH IN, Test button available: No |
| Order No. | 2576200000 |
| Type | DRIKITP 24VDC 2CO LD |
| GTIN (EAN) | 4050118585964 |
| Qty. | 10 items |

DRIKITP 24VDC 2CO LD

Weidmüller Interface GmbH & Co. KG
 Klingenbergstraße 26
 D-32758 Detmold
 Germany

www.weidmueller.com

Technical data

Approvals

Approvals



ROHS Conform

Dimensions and weights

| | | | |
|------------|----------|-----------------|-------------|
| Depth | 63 mm | Depth (inches) | 2.4803 inch |
| Height | 102.1 mm | Height (inches) | 4.0197 inch |
| Width | 15.9 mm | Width (inches) | 0.626 inch |
| Net weight | 59.32 g | | |

Temperatures

| | | | |
|-----------------------|----------------|---------------------|--|
| Storage temperature | -40 °C...85 °C | Ambient temperature | -40 °C...55 °C |
| Operating temperature | | Humidity | 35...85 % rel. humidity, no condensation |

Environmental Product Compliance

| | |
|------------------------|-----------------------------|
| RoHS Compliance Status | Compliant without exemption |
| REACH SVHC | No SVHC above 0.1 wt% |

Control side

| | | | |
|-----------------------|-----------|--------------------|---------------------|
| Rated control voltage | 24 V DC | Rated current DC | 21,8 mA |
| Power rating | 530 mW | Coil resistance | 1100 Ω ± 10 % |
| Status indicator | Green LED | Protective circuit | Free-wheeling diode |

Load side

| | | | |
|---|---------------------------------------|---|--|
| Rated switching voltage | 250 V AC | Continuous current | 5 A |
| Max. switching frequency at rated load | 0.1 Hz | Max. switching voltage, AC | 250 V |
| Max. switching voltage, DC | 250 V | AC switching capacity (resistive), max. | 1250 VA |
| DC switching capacity (resistive), max. | 150 W @ 24 V | Switch-on delay | ≤ 15 ms |
| Switch-off delay | ≤ 10 ms | Contact type | 2 CO contact (AgSnO) |
| Mechanical service life | 10 x 10 ⁶ switching cycles | Min. switching power | 10 mA @ 24 V, 10 mA @ 12 V, 100 mA @ 5 V |

General data

| | | |
|--------------------------------------|--------------------------|----------------|
| Mounting rail | TS 35 | |
| Test button available | No | |
| Mechanical switch position indicator | No | |
| Colour | black | |
| UL94 flammability rating component | Component | Housing |
| | UL94 flammability rating | V-2 |
| | Component | Pusher |
| | UL94 flammability rating | HB |
| | Component | Mounting foot |
| | UL94 flammability rating | HB |
| | Component | Retaining clip |
| | UL94 flammability rating | HB |
| Component | Relay cover | |

DRIKITP 24VDC 2CO LD

Weidmüller Interface GmbH & Co. KG

Klingenbergstraße 26

D-32758 Detmold

Germany

www.weidmueller.com

Technical data

| | |
|--------------------------|-----------------|
| UL94 flammability rating | V-2 |
| Component | Relay baseplate |
| UL94 flammability rating | V-0 |

Insulation coordination

| | | | |
|---|--------------------|--|-----------------|
| Rated voltage | 250 V | Pollution severity | 2 |
| Surge voltage category | III | Insulating material group | IIIb |
| Clearance and creepage distances for control side - load side | ≥ 3 mm | Dielectric strength for control side - load side | 5 kVeff / 1 min |
| Dielectric strength of neighbouring contacts | 1.5 kVeff / 1 min. | Dielectric strength of open contact | 1 kVeff / 1 min |
| Impulse withstand voltage | 5 kV (1.2/50 µs) | Protection degree | IP20 |
| Impulse withstand voltage at neighbouring contacts | 4.8 kV (1.2/50 µs) | | |

Further details of approvals / standards

| | | | |
|-------------------------------|-----------------------------|------------------------------|---------------------------|
| Relevant relay | DRI424024LD | Relevant base | SDI 2CO P |
| Certificate no. (cURus) relay | E312083 | Certificate no. (cURus) base | E312083 |

Connection data

| | | | |
|---|---------------------|---|----------------------|
| Wire connection method | PUSH IN | Stripping length, rated connection | 10 mm |
| Clamping range, rated connection | 1.5 mm ² | Clamping range, min. | 0.14 mm ² |
| Clamping range, max. | 1.5 mm ² | Wire connection cross section AWG, min. | AWG 26 |
| Wire connection cross section AWG, max. | AWG 16 | Wire cross-section, solid, min. | 0.14 mm ² |
| Wire cross-section, solid, max. | 1.5 mm ² | Wire connection cross section, finely stranded, min. | 0.14 mm ² |
| Wire connection cross section, finely stranded, max. | 1.5 mm ² | Wire connection cross-section, finely stranded with wire-end ferrules DIN 46228/4, min. | 0.14 mm ² |
| Wire connection cross-section, finely stranded with wire-end ferrules DIN 46228/4, max. | 1 mm ² | Conductor cross-section, flexible, AEH (DIN 46228-1), min. | 0.14 mm ² |
| Conductor cross-section, flexible, AEH (DIN 46228-1), max. | 1.5 mm ² | Blade size | 0.4 x 2.5 mm |

Classifications

| | | | |
|-------------|-------------|-------------|-------------|
| ETIM 8.0 | EC001437 | ETIM 9.0 | EC001437 |
| ETIM 10.0 | EC001437 | ECLASS 14.0 | 27-37-16-01 |
| ECLASS 15.0 | 27-37-16-01 | | |

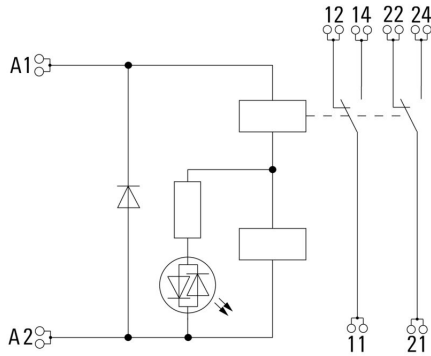
DRIKITP 24VDC 2CO LD

Weidmüller Interface GmbH & Co. KG
 Klingenbergstraße 26
 D-32758 Detmold
 Germany

www.weidmueller.com

Drawings

Wiring diagram



Graph



DC load limit curve Resistive load

Graph



Electrical service life

Graph



DC operational voltage range

Dimensional drawing



Relay in combination with base

DRIKITP 24VDC 2CO LD

Weidmüller Interface GmbH & Co. KG
 Klingenbergstraße 26
 D-32758 Detmold
 Germany

Drawings

www.weidmueller.com

Miscellaneous



Type codes

DRIKITP 24VDC 2CO LD

Weidmüller Interface GmbH & Co. KG
 Klingenbergstraße 26
 D-32758 Detmold
 Germany

www.weidmueller.com

Accessories

Protection modules



Pluggable protective modules for the D-SERIES relay sockets, with optional protective functions.

- With free-wheeling diode or RC filter

General ordering data

| | | | |
|------------|----------------------------|--|--|
| Type | RIM 1 6/230VDC | Version | |
| Order No. | 7760056169 | D-SERIES, Free-wheeling diode, Rated control voltage: 6...230 V, Plug- | |
| GTIN (EAN) | 4032248967728 | in connection | |
| Qty. | 10 ST | | |

LED / free-wheel diode



Pluggable protective modules for the D-SERIES relay sockets, with optional protective functions.

- With green LED and free-wheeling diode

General ordering data

| | | | |
|------------|----------------------------|---|--|
| Type | RIM 2 6/24VDC | Version | |
| Order No. | 7760056015 | D-SERIES, LED module with freewheel diode, Rated control voltage: | |
| GTIN (EAN) | 4032248878116 | 6...24 V DC, Plug-in connection | |
| Qty. | 10 ST | | |
| Type | RIM 2 24/60VDC | Version | |
| Order No. | 7760056016 | D-SERIES, LED module with freewheel diode, Rated control voltage: | |
| GTIN (EAN) | 4032248878123 | 24...60 V DC, Plug-in connection | |
| Qty. | 10 ST | | |

LED



Pluggable protective modules for the D-SERIES relay sockets, with optional protective functions.

- With green LED

DRIKITP 24VDC 2CO LD

Weidmüller Interface GmbH & Co. KG
 Klingenbergstraße 26
 D-32758 Detmold
 Germany

www.weidmueller.com

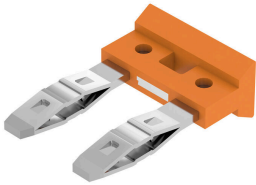
Accessories

General ordering data

| | | |
|------------|----------------------------|---|
| Type | RIM 3 6/24VUC | Version |
| Order No. | 7940018457 | D-SERIES, LED module, Rated control voltage: 6...24 V UC, Plug-in connection |
| GTIN (EAN) | 4032248878192 | |
| Qty. | 10 ST | |
| Type | RIM 3 24/60VUC | Version |
| Order No. | 7760056018 | D-SERIES, LED module, Rated control voltage: 24...60 V UC, Plug-in connection |
| GTIN (EAN) | 4032248878130 | |
| Qty. | 10 ST | |

Cross-connection for socket with PUSH IN connection

Cross-connection for the sockets in the D-SERIES DRM.



General ordering data

| | | |
|------------|----------------------------|---------------------------|
| Type | SCM/SDI P CC | Version |
| Order No. | 7760056366 | D-SERIES, Cross-connector |
| GTIN (EAN) | 6944169773327 | |
| Qty. | 10 ST | |

Retaining clips

Retaining clip for D-SERIES DRI relays
 • Metal and plastic retaining clip



General ordering data

| | | |
|------------|----------------------------|------------------------------|
| Type | SDI CLIP LM | Version |
| Order No. | 7760056368 | D-SERIES DRI, Retaining clip |
| GTIN (EAN) | 6944169773341 | |
| Qty. | 10 ST | |

DRIKITP 24VDC 2CO LD

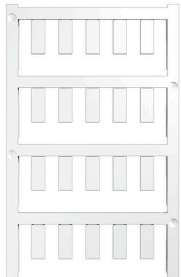
Weidmüller Interface GmbH & Co. KG

Klingenbergstraße 26
D-32758 Detmold
Germany

www.weidmueller.com

Accessories

Blank



ESG is the tried-and-tested marker in MultiCard format for use on many well-known electrical devices. The result is high-quality device marking with a high-contrast appearance.

Various types are available for devices from manufacturers like Siemens, ABB, Beckhoff etc.

Advantages at a glance:

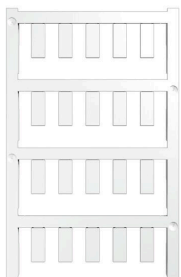
- Tags for universal usage, self-adhesive or clip-on tags, depending on type
- For aligned equipment, e.g. circuit breakers, we supply ESG markers for clipping onto tag rails
- Individual laser-quality printing according to specifications

For custom printing: Please send us a file of our labeling software M-Print PRO or M-Print PRO Online (without installation) for your labeling specifications.

General ordering data

| | | | |
|------------|----------------------------|--|--|
| Type | ESG 6/15 SDI MC NE WS | Version | |
| Order No. | 2558340000 | ESG, Device markers x 15 mm, PA 66, Colour: white, pluggable | |
| GTIN (EAN) | 4050118569056 | | |
| Qty. | 200 ST | | |

Custom printing



ESG is the tried-and-tested marker in MultiCard format for use on many well-known electrical devices. The result is high-quality device marking with a high-contrast appearance.

Various types are available for devices from manufacturers like Siemens, ABB, Beckhoff etc.

Advantages at a glance:

- Tags for universal usage, self-adhesive or clip-on tags, depending on type
- For aligned equipment, e.g. circuit breakers, we supply ESG markers for clipping onto tag rails
- Individual laser-quality printing according to specifications

For custom printing: Please send us a file of our labeling software M-Print PRO or M-Print PRO Online (without installation) for your labeling specifications.

General ordering data

| | | | |
|------------|----------------------------|--|--|
| Type | ESG 6/15 SDI MC SDR | Version | |
| Order No. | 2558310000 | ESG, Device markers x 15 mm, PA 66, Colour: To customer specification, pluggable | |
| GTIN (EAN) | 4050118569025 | | |
| Qty. | 40 ST | | |

DRIKITP 24VDC 2CO LD

Weidmüller Interface GmbH & Co. KG
 Klingenbergstraße 26
 D-32758 Detmold
 Germany

www.weidmueller.com

Accessories

Slotted screwdriver



VDE insulated slot-head screwdriver, SDI DIN 7437, ISO 2380/2, drive output acc. to DIN 5264, ISO 2380/1. SoftFinish grip

General ordering data

| | | | |
|------------|----------------------------|--|--|
| Type | SDIS 0.4X2.5X75 | Version | |
| Order No. | 2749790000 | Screwdriver, Blade width (B): 2.5 mm, Blade length: 75 mm, Blade thickness (A): 0.4 mm | |
| GTIN (EAN) | 4050118896534 | | |
| Qty. | 1 ST | | |
| Type | SDS 0.4X2.5X75 | Version | |
| Order No. | 2749320000 | Screwdriver, Blade width (B): 2.5 mm, Blade length: 75 mm, Blade thickness (A): 0.4 mm | |
| GTIN (EAN) | 4050118895544 | | |
| Qty. | 1 ST | | |

ESG 6/15



Guaranteed long service life: ESG

The multi-colour and multi-format labels have a strong adhesive layer to ensure the best possible adhesion to the underlying surface. Double laminated polyester makes the basic material very thin and yet extremely tear-resistant. Your benefits with MultiMark

- "Different materials for various requirements"
- Can be used with equipment from many manufacturers
- Device markers with a familiar design

General ordering data

| | | | |
|------------|----------------------------|---------------------------------------|--|
| Type | ESG 6/15 MM WS | Version | |
| Order No. | 2619940000 | ESG, Device markers, 6 x 15 mm, white | |
| GTIN (EAN) | 4050118626148 | | |
| Qty. | 3000 ST | | |