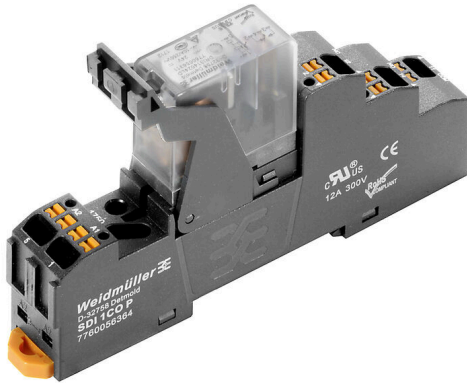


## DRIKITP 115VAC 1CO LD

**Weidmüller Interface GmbH & Co. KG**  
 Klingenbergstraße 26  
 D-32758 Detmold  
 Germany

www.weidmueller.com

### Product image



Similar to illustration

- Mounted kit consisting relay, socket and retaining clip
- 100 % function tested
- 100 % check of the dielectric strenght between input - output
- 1 CO contact
- Optional: Test button with coloured identification of coils (AC red / DC blue)
- Bright status LED (AC coil: red / DC coil: green)

### General ordering data

Version	D-SERIES DRI, Relay module, Number of contacts: 1, CO contact AgSnO, Rated control voltage: 115 V AC, Continuous current: 10 A, PUSH IN, Test button available: No
Order No.	<a href="#">2575980000</a>
Type	DRIKITP 115VAC 1CO LD
GTIN (EAN)	4050118585902
Qty.	10 items

## DRIKITP 115VAC 1CO LD

Weidmüller Interface GmbH &amp; Co. KG

Klingenbergstraße 26

D-32758 Detmold

Germany

www.weidmueller.com

## Technical data

## Approvals

Approvals



ROHS Conform

## Dimensions and weights

Depth	63 mm	Depth (inches)	2.4803 inch
Height	102.1 mm	Height (inches)	4.0197 inch
Width	15.9 mm	Width (inches)	0.626 inch
Net weight	55.4 g		

## Temperatures

Storage temperature	-40 °C...85 °C	Ambient temperature	-40 °C...55 °C
Operating temperature		Humidity	35...85 % rel. humidity, no condensation

## Environmental Product Compliance

RoHS Compliance Status	Compliant without exemption
REACH SVHC	No SVHC above 0.1 wt%

## Control side

Rated control voltage	115 V AC	Rated current AC	9.3 mA
Power rating	1.1 VA	Coil resistance	6200 Ω ± 10 %
Status indicator	red LED		

## Load side

Rated switching voltage	250 V AC	Continuous current	10 A
Max. switching frequency at rated load	0.1 Hz	Max. switching voltage, AC	250 V
Max. switching voltage, DC	250 V	AC switching capacity (resistive), max.	2500 VA
DC switching capacity (resistive), max.	240 W @ 24 V	Switch-on delay	≤ 15 ms
Switch-off delay	≤ 10 ms	Contact type	1 CO contact (AgSnO)
Mechanical service life	10 x 10 <sup>6</sup> switching cycles	Min. switching power	10 mA @ 24 V, 10 mA @ 12 V, 100 mA @ 5 V

## General data

Mounting rail	TS 35	
Test button available	No	
Mechanical switch position indicator	No	
Colour	black	
UL94 flammability rating component	Component	Housing
	UL94 flammability rating	V-2
	Component	Pusher
	UL94 flammability rating	HB
	Component	Mounting foot
	UL94 flammability rating	HB
	Component	Retaining clip
	UL94 flammability rating	HB
Component	Relay cover	

## DRIKITP 115VAC 1CO LD

**Weidmüller Interface GmbH & Co. KG**  
 Klingenbergstraße 26  
 D-32758 Detmold  
 Germany

www.weidmueller.com

## Technical data

UL94 flammability rating	V-2
Component	Relay baseplate
UL94 flammability rating	V-0

### Insulation coordination

Rated voltage	300 V	Pollution severity	2
Surge voltage category	III	Insulating material group	IIIb
Clearance and creepage distances for control side - load side	≥ 3 mm	Dielectric strength for control side - load side	5 kVeff / 1 min
Dielectric strength of open contact	1 kVeff / 1 min	Impulse withstand voltage	5 kV (1.2/50 μs)
Protection degree	IP20	Impulse withstand voltage at neighbouring contacts	4.8 kV (1.2/50 μs)

### Further details of approvals / standards

Relevant relay	<a href="#">DRI314615L</a>	Relevant base	<a href="#">SDI 1CO P</a>
Certificate no. (cURus) relay	E312083	Certificate no. (cURus) base	E312083

### Connection data

Wire connection method	PUSH IN	Stripping length, rated connection	10 mm
Clamping range, rated connection	1.5 mm <sup>2</sup>	Clamping range, min.	0.14 mm <sup>2</sup>
Clamping range, max.	1.5 mm <sup>2</sup>	Wire connection cross section AWG, min.	AWG 26
Wire connection cross section AWG, max.	AWG 16	Wire cross-section, solid, min.	0.14 mm <sup>2</sup>
Wire cross-section, solid, max.	1.5 mm <sup>2</sup>	Wire connection cross section, finely stranded, min.	0.14 mm <sup>2</sup>
Wire connection cross section, finely stranded, max.	1.5 mm <sup>2</sup>	Wire connection cross-section, finely stranded with wire-end ferrules DIN 46228/4, min.	0.14 mm <sup>2</sup>
Wire connection cross-section, finely stranded with wire-end ferrules DIN 46228/4, max.	1 mm <sup>2</sup>	Conductor cross-section, flexible, AEH (DIN 46228-1), min.	0.14 mm <sup>2</sup>
Conductor cross-section, flexible, AEH (DIN 46228-1), max.	1.5 mm <sup>2</sup>	Blade size	0.4 x 2.5 mm

### Classifications

ETIM 8.0	EC001437	ETIM 9.0	EC001437
ETIM 10.0	EC001437	ECLASS 14.0	27-37-16-01
ECLASS 15.0	27-37-16-01		

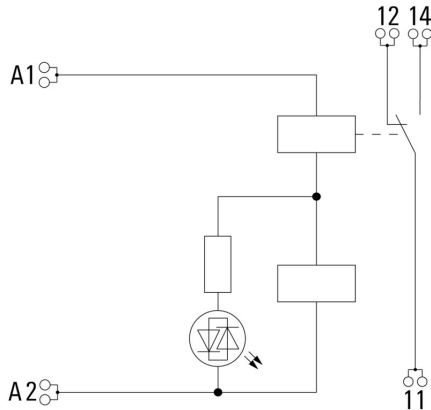
**DRIKITP 115VAC 1CO LD**

Weidmüller Interface GmbH & Co. KG  
 Klingenbergstraße 26  
 D-32758 Detmold  
 Germany

www.weidmueller.com

**Drawings**

**Wiring diagram**



**Graph**



DC load limit curve Resistive load

**Graph**



Electrical service life

**Graph**



AC operational voltage range

**Dimensional drawing**



Relay in combination with base

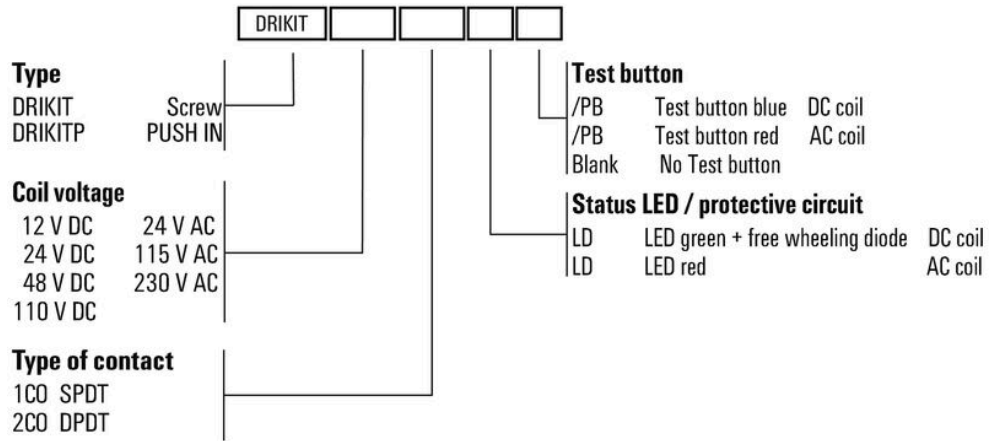
**DRIKITP 115VAC 1CO LD**

**Weidmüller Interface GmbH & Co. KG**  
 Klingenbergstraße 26  
 D-32758 Detmold  
 Germany

**Drawings**

www.weidmueller.com

**Miscellaneous**



Type codes

## DRIKITP 115VAC 1CO LD

**Weidmüller Interface GmbH & Co. KG**  
 Klingenbergstraße 26  
 D-32758 Detmold  
 Germany

www.weidmueller.com

## Accessories

### LED



Pluggable protective modules for the D-SERIES relay sockets, with optional protective functions.

- With green LED

#### General ordering data

Type	RIM 3 110/230VUC	Version	
Order No.	<a href="#">7940018455</a>	D-SERIES, LED module, Rated control voltage: 110...230 V UC, Plug-	
GTIN (EAN)	4032248878185	in connection	
Qty.	10 ST		

### Protection modules



Pluggable protective modules for the D-SERIES relay sockets, with optional protective functions.

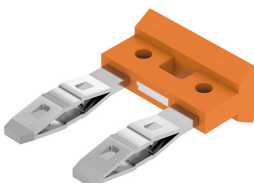
- With free-wheeling diode or RC filter

#### General ordering data

Type	RIM 3 110/230VAC	Version	
Order No.	<a href="#">7760056014</a>	D-SERIES, RC filter, Rated control voltage: 110...230 V AC, Plug-in	
GTIN (EAN)	4032248878109	connection	
Qty.	10 ST		

### Cross-connection for socket with PUSH IN connection

Cross-connection for the sockets in the D-SERIES DRM.



#### General ordering data

Type	SCM/SDI P CC	Version	
Order No.	<a href="#">7760056366</a>	D-SERIES, Cross-connector	
GTIN (EAN)	6944169773327		
Qty.	10 ST		

## DRIKITP 115VAC 1CO LD

**Weidmüller Interface GmbH & Co. KG**  
 Klingenbergstraße 26  
 D-32758 Detmold  
 Germany

www.weidmueller.com

## Accessories

### Retaining clips



Retaining clip for D-SERIES DRI relays  
 • Metal and plastic retaining clip

### General ordering data

Type	SDI CLIP LM	Version
Order No.	<a href="#">7760056368</a>	D-SERIES DRI, Retaining clip
GTIN (EAN)	6944 169773341	
Qty.	10 ST	

### Blank



ESG is the tried-and-tested marker in MultiCard format for use on many well-known electrical devices. The result is high-quality device marking with a high-contrast appearance.

Various types are available for devices from manufacturers like Siemens, ABB, Beckhoff etc.

Advantages at a glance:

- Tags for universal usage, self-adhesive or clip-on tags, depending on type
- For aligned equipment, e.g. circuit breakers, we supply ESG markers for clipping onto tag rails
- Individual laser-quality printing according to specifications

For custom printing: Please send us a file of our labeling software M-Print PRO or M-Print PRO Online (without installation) for your labeling specifications.

### General ordering data

Type	ESG 6/15 SDI MC NE WS	Version
Order No.	<a href="#">2558340000</a>	ESG, Device markers x 15 mm, PA 66, Colour: white, pluggable
GTIN (EAN)	4050 118569056	
Qty.	200 ST	

## DRIKITP 115VAC 1CO LD

**Weidmüller Interface GmbH & Co. KG**  
 Klingenbergstraße 26  
 D-32758 Detmold  
 Germany

www.weidmueller.com

## Accessories

## Custom printing



ESG is the tried-and-tested marker in MultiCard format for use on many well-known electrical devices. The result is high-quality device marking with a high-contrast appearance.

Various types are available for devices from manufacturers like Siemens, ABB, Beckhoff etc.

Advantages at a glance:

- Tags for universal usage, self-adhesive or clip-on tags, depending on type
- For aligned equipment, e.g. circuit breakers, we supply ESG markers for clipping onto tag rails
- Individual laser-quality printing according to specifications

For custom printing: Please send us a file of our labeling software M-Print PRO or M-Print PRO Online (without installation) for your labeling specifications.

## General ordering data

Type	ESG 6/15 SDI MC SDR	Version
Order No.	<a href="#">2558310000</a>	ESG, Device markers x 15 mm, PA 66, Colour: To customer specification, pluggable
GTIN (EAN)	4050118569025	
Qty.	40 ST	

## Slotted screwdriver



VDE insulated slot-head screwdriver, SDI DIN 7437, ISO 2380/2, drive output acc. to DIN 5264, ISO 2380/1. SoftFinish grip

## General ordering data

Type	SDIS 0.4X2.5X75	Version
Order No.	<a href="#">2749790000</a>	Screwdriver, Blade width (B): 2.5 mm, Blade length: 75 mm, Blade thickness (A): 0.4 mm
GTIN (EAN)	4050118896534	
Qty.	1 ST	
Type	SDS 0.4X2.5X75	Version
Order No.	<a href="#">2749320000</a>	Screwdriver, Blade width (B): 2.5 mm, Blade length: 75 mm, Blade thickness (A): 0.4 mm
GTIN (EAN)	4050118895544	
Qty.	1 ST	

## DRIKITP 115VAC 1CO LD

**Weidmüller Interface GmbH & Co. KG**  
Klingenbergstraße 26  
D-32758 Detmold  
Germany

[www.weidmueller.com](http://www.weidmueller.com)

## Accessories

### ESG 6/15



#### Guaranteed long service life: ESG

The multi-colour and multi-format labels have a strong adhesive layer to ensure the best possible adhesion to the underlying surface. Double laminated polyester makes the basic material very thin and yet extremely tear-resistant.

#### Your benefits with MultiMark

- "Different materials for various requirements"
- Can be used with equipment from many manufacturers
- Device markers with a familiar design

### General ordering data

Type	ESG 6/15 MM WS	Version	
Order No.	<a href="#">2619940000</a>	ESG, Device markers, 6 x 15 mm, white	
GTIN (EAN)	4050118626148		
Qty.	3000 ST		