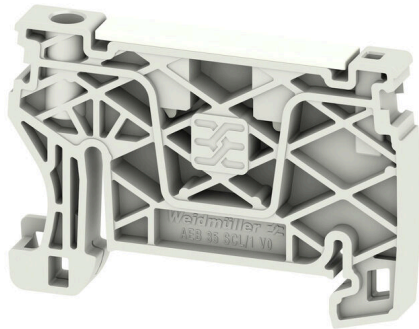


AEB 35 SCL/1 V0 GY DL

Weidmüller Interface GmbH & Co. KG
Klingenbergstraße 26
D-32758 Detmold
Germany

www.weidmueller.com

Product image

Weidmüller's range of products includes end brackets that guarantee a permanent, reliable mounting on the terminal rail and prevent sliding. Versions with and without screws are available. The end brackets include marking options, also for group markers, and also a test plug holder.

General ordering data

| | |
|------------|----------------------------|
| Version | A-series, End bracket |
| Order No. | 2570260000 |
| Type | AEB 35 SCL/1 V0 GY DL |
| GTIN (EAN) | 4050118580273 |
| Qty. | 50 items |

AEB 35 SCL/1 V0 GY DL

Weidmüller Interface GmbH & Co. KG
 Klingenbergstraße 26
 D-32758 Detmold
 Germany

www.weidmueller.com

Technical data

Approvals

ROHS Conform

Dimensions and weights

| | | | |
|--------------------------|-------------|----------------|------------|
| Depth | 36.5 mm | Depth (inches) | 1.437 inch |
| Depth including DIN rail | 37 mm | Height | 52.6 mm |
| Height (inches) | 2.0709 inch | Width | 6 mm |
| Width (inches) | 0.2362 inch | Net weight | 6.68 g |

Temperatures

| | | | |
|----------------------------------|----------------|---------------------|---------------|
| Storage temperature | -25 °C...55 °C | Ambient temperature | -5 °C...40 °C |
| Continuous operating temp., max. | 130 °C | | |

Environmental Product Compliance

| | |
|------------------------|-----------------------------|
| RoHS Compliance Status | Compliant without exemption |
| REACH SVHC | No SVHC above 0.1 wt% |

Material data

| | | | |
|---------------------------|-------|--------|------------|
| Basic material | Wemid | Colour | Light Grey |
| UL 94 flammability rating | V-0 | | |

System specifications

Mounting rail TS 35

Additional technical data

| | | | |
|------------------|---------|---------|-----------|
| Type of mounting | Snap-on | Locking | screwless |
|------------------|---------|---------|-----------|

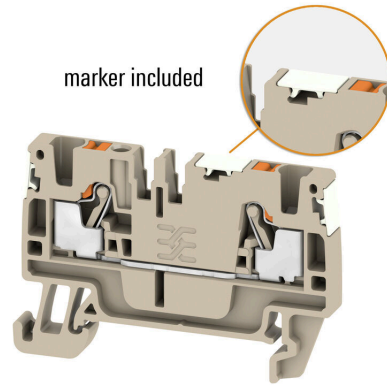
General

Mounting rail TS 35

Classifications

| | | | |
|-------------|-------------|-------------|-------------|
| ETIM 8.0 | EC001041 | ETIM 9.0 | EC001041 |
| ETIM 10.0 | EC001041 | ECLASS 14.0 | 27-25-03-02 |
| ECLASS 15.0 | 27-25-03-02 | | |

Drawings



AEB 35 SCL/1 V0 GY DL

Weidmüller Interface GmbH & Co. KG
 Klingenbergstraße 26
 D-32758 Detmold
 Germany

www.weidmueller.com

Accessories

Slotted screwdriver

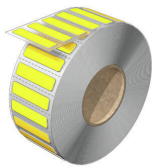


VDE insulated screwdriver sets, for working on live parts up to 1000 V AC and 1500 V DC, DIN EN 60900, IEC 900. Each piece is "GS" safety tested. Blade made from fully hardened, high-alloy chromium-vanadium-molybdenum steel, gun-metal finish.

General ordering data

| | | | |
|------------|----------------------------|---|--|
| Type | SDIS SLIM 0.6X3.5X100 | Version | |
| Order No. | 2749610000 | Mounting tool, Blade width (B): 3.5 mm, Blade length: 100 mm, Blade thickness (A): 0.6 mm | |
| GTIN (EAN) | 4050118896350 | | |
| Qty. | 1 ST | | |

WAD



MultiMark

With MultiMark you have a fast and reliable marking system at your disposal to enable virtually any kind of marking. Connectors, conductors, cables or devices – the MultiMark product family offers a well-structured, practical range of markers which can be used in combination with our advanced M-Print® PRO configuration software for all areas of use.

Your benefits with MultiMark

- Firm hold and durable printing
- Continuous strips save installation time
- Easy mounting thanks to an innovative composite material
- Large label field for optimal legibility
- High flexibility thanks to manufacturer independence

General ordering data

| | | | |
|------------|----------------------------|--|--|
| Type | WAD-FO 5 MM WS | Version | |
| Order No. | 2969370000 | Terminal marker, 5 x 33.3 mm, Weidmueller, white | |
| GTIN (EAN) | 4099986783959 | | |
| Qty. | 250 ST | | |