

USB3.0A R1V 2.0N3 RL BL

Weidmüller Interface GmbH & Co. KG

Klingenbergstraße 26

D-32758 Detmold

Germany

www.weidmueller.com



USB as a reliable data interface for your device in industrial use. Due to the many advantages, USB sockets are always used most in the electrical industry.

The extensive portfolio of USB-A, -B - C and -Micro components enables future-proof device design with speeds of up to 10 Gbit/s. Our USB PCB sockets support the robust standards USB 2.0, 3.0 and 3.1 for fast and easy data transfer.

The individual connectors meet the requirements for high durability and offer reliable connectivity.

- Up to 10.000 plugging cycles
- THT, THR or SMD soldering processes
- Available in design types 180° (vertical/upright) or 90° (horizontal/flat-lying)
- Packed either in a tray (TY) or on a roll (tape-on-reel, RL)
- Reinforced gold layer for improved corrosion protection
- USB 3.1 sockets support data rates of 10 Gbit/s for fast data transfer
- USB-C sockets enable error-free plugging due to a symmetrical design
- Robust plug & play operation - connect and disconnect without shutting down or restarting the system

General ordering data

Version	OMNIMATE Data - USB jack, PCB plug-in connector, female header, Type A, 5 Gbps, THT/THR solder connection, 180°, Plugging cycles: \geq 1500, Number of poles: 8, PA 9T, Gold over nickel, Tape
Order No.	2562980000
Type	USB3.0A R1V 2.0N3 RL BL
GTIN (EAN)	4050118572001
Qty.	140 items
Packaging	Tape
Delivery status	Discontinued

USB3.0A R1V 2.0N3 RL BL

Weidmüller Interface GmbH & Co. KG

Klingenbergstraße 26

D-32758 Detmold

Germany

www.weidmueller.com

Technical data

Dimensions and weights

Depth	5.72 mm	Depth (inches)	0.2252 inch
Height	17 mm	Height (inches)	0.6693 inch
Height of lowest version	15 mm	Width	13.1 mm
Width (inches)	0.5157 inch	Net weight	5 g

Environmental Product Compliance

RoHS Compliance Status	Compliant
REACH SVHC	No SVHC above 0.1 wt%

System specifications

Number of poles	8	LED	No
Solder pin length (l)	2 mm	Mounting onto the PCB	THT/THR solder connection
Pitch in inches (P)	0.079 "	Shielding material	Brass
Shielding	Yes	Plugging force/pole, max.	35 N
Transmission rate	5 Gbps	Pulling force/pole, max.	10 N
Number of solder pins per pole	1	Type of connection	Socket connector
Product family	OMNIMATE Data - USB jack	Pitch in mm (P)	2.00 mm
Protection degree	IP20	Plugging cycles	≥ 1500
Outgoing elbow	180°	Shield surface	nickel-plated
Shield tabs	none	Performance-Category	5 Gbps
Soldering process	Reflow soldering, Manual soldering, Wave soldering	Solder pin dimensions	Octagonal
Tolerance of solder pin position	± 0.1 mm		

Electrical properties

Dielectric strength, contact / contact	100 V AC	Insulation resistance	≥ 500 MΩ
Nominal voltage	30 V	Rated current	1.8 A at 250 V AC

Material data

Insulating material	PA 9T	Colour	black, blue
Colour chart (similar)	RAL 9011, RAL 5012	Insulating material group	II
Comparative Tracking Index (CTI)	≥ 500	Insulation resistance	≥ 500 MΩ
Moisture Level (MSL)	1	UL 94 flammability rating	V-0
Contact base material	Phosphorus bronze	Contact material	Cu-alloy
Contact surface	Gold over nickel	Layer structure of plug contact	≥ 15 μ" Au
Storage temperature, min.	-40 °C	Storage temperature, max.	85 °C
Operating temperature, min.	-40 °C	Operating temperature, max.	85 °C

Packing

Packaging	Tape	VPE length	267.00 mm
VPE width	239.00 mm	VPE height	11.00 mm
Tape reel diameter ø (A)	330 mm	Surface resistance	Rs = 109 - 1012 Ω

Important note

Notes	
-------	--

USB3.0A R1V 2.0N3 RL BL

Weidmüller Interface GmbH & Co. KG
Klingenbergstraße 26
D-32758 Detmold
Germany

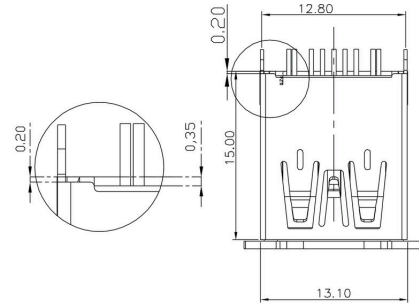
www.weidmueller.com

Technical data

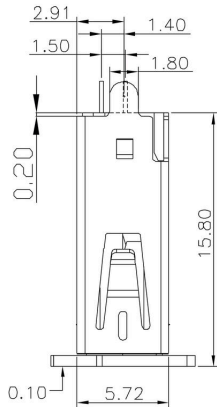
Classifications

ETIM 8.0	EC002637	ETIM 9.0	EC002637
ETIM 10.0	EC002637	ECLASS 14.0	27-46-02-01
ECLASS 15.0	27-46-02-01		

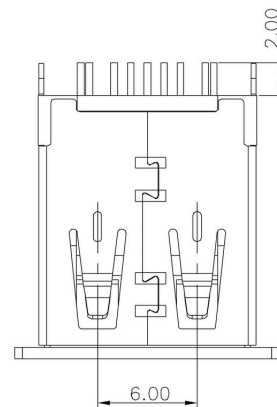
Dimensioned drawing



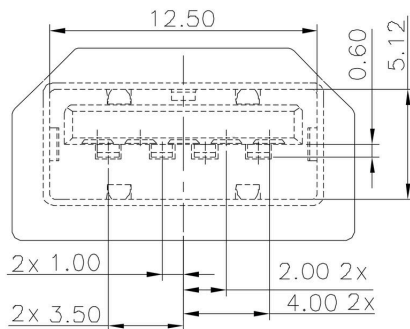
Dimensioned drawing



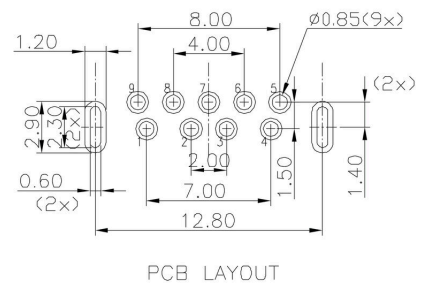
Dimensioned drawing



Dimensioned drawing



PCB design



PCB LAYOUT

USB3.0A R1V 2.0N3 RL BL

Weidmüller Interface GmbH & Co. KG
 Klingenbergstraße 26
 D-32758 Detmold
 Germany

Drawings

www.weidmueller.com

Legend

USB	3.0A	R	1	V	3.0	N	4	TY	BL	USB3.0A R1V 3.0N4 TY BL
Colour / Special Option										
BL blue (plastic)										
BK black (plastic)										
WH white (plastic)										
SO customized product										
Packaging										
TY Tray in box (manual assembly)										
RL Tape on Reel (automated assembly)										
TU Tube										
Contact surface thickness										
4 1 = 3µ", 2 = 6µ", 3 = 15µ", 4 = 30µ", 5 = 50µ"										
N no use										
Solder Pin length										
3.2 3.2 mm										
1.6 1.6 mm										
D SMD										
Direction										
H Horizontal (90°, side entry)										
U Horizontal, Upright 90°										
V Vertical (180°, top entry)										
Number of Ports										
1 1 Port										
21; 41; ... multi ports about each other, Multilevel										
Assembly on PCB										
R Through Hole Reflow - THR										
Soldering process: Wave or Reflow soldering										
S Surface Mount Technology - SMT										
Soldering process: Reflow soldering										
T Through Hole Technology - THT										
Soldering process: Wave										
Type / Performance										
2.0A USB 2.0 Type A										
3.0A USB 3.0 Type A										