

## RJ45C5 T1U 2.8E4N TY

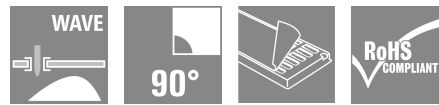
**Weidmüller Interface GmbH & Co. KG**

Klingenbergstraße 26

D-32758 Detmold

Germany

[www.weidmueller.com](http://www.weidmueller.com)



The product range encompasses the following designs:

- 90°, lying (horizontal) and 180°, standing (vertical)
- latch up / latch down
- THT, THR or SMD soldering processes
- Wide range of different design types, also with integrated LEDs and shield contact tabs
- Performance category Cat. 3 to Cat. 6
- Packed either in a tray (TY) or on a roll (tape-on-reel, RL)
- Compatible with modular RJ45 connector according to ANSI / TIA-1096-A and IEC 60603
- Dielectric strength  $\geq 1500$  V AC RMS (2250 V AC peak value) according to IEEE 802.3
- Dielectric strength  $\geq 1500$  V AC (peak value) or  $\geq 1500$  V DC according to IEC 60603

Properties and advantages:

- Extended temperature range of  $-40^{\circ}\text{C}$  to  $+85^{\circ}\text{C}$  for maximum performance
- Reinforced gold layer ( $30\mu\text{m}$ ) for improved corrosion protection
- At least 0.3mm stand-off ensures a perfect soldering result

### General ordering data

Version	OMNIMATE Data - RJ45 modular jack, PCB plug-in connector, Cat. 5, THT solder connection, 90°, top, 6 tabs, No, Plugging cycles: 750, Number of poles: 8, PA 66, 30...80 $\mu\text{m}$ Ni / $\geq 30$ $\mu\text{m}$ Au , Tray (manual assembly)
Order No.	<a href="#">2562920000</a>
Type	RJ45C5 T1U 2.8E4N TY
GTIN (EAN)	4050118571943
Qty.	140 items
Packaging	Tray (manual assembly)

## RJ45C5 T1U 2.8E4N TY

Weidmüller Interface GmbH &amp; Co. KG

Klingenbergstraße 26

D-32758 Detmold

Germany

www.weidmueller.com

## Technical data

## Approvals

Approvals	CURUS
ROHS	Conform
UL File Number Search	<a href="#">UL Website</a>
Certificate No. (cURus)	E471884

## Dimensions and weights

Depth	15.71 mm	Depth (inches)	0.6185 inch
Height	15.86 mm	Height (inches)	0.6244 inch
Height of lowest version	13.11 mm	Width	16.41 mm
Width (inches)	0.6461 inch	Net weight	2.38 g

## Environmental Product Compliance

RoHS Compliance Status	Compliant without exemption
REACH SVHC	No SVHC above 0.1 wt%

## System specifications

Number of poles	8
LED	No
Solder pin length (l)	2.75 mm
Mounting onto the PCB	THT solder connection
Pitch in inches (P)	0.050 "
Shielding material	Brass
Shielding	Yes
Side termination, characteristic	Solder flange
Solder eyelet hole diameter tolerance (D)	± 0.1 mm
Number of solder pins per pole	1
Type of connection	Solder connection
Solder eyelet hole diameter (D)	0.9 mm
Category	Cat. 5
Product family	OMNIMATE Data - RJ45 modular jack
Pitch in mm (P)	1.27 mm
Protection degree	IP20
Plugging cycles	750
Wiring	8-core
Outgoing elbow	90°
Shield surface	nickel-plated
Shield tabs	6 tabs
Performance-Category	Cat. 5
Soldering process	Manual soldering, Wave soldering
Latch option	top
Solder pin dimensions	Octagonal
Solder pin length tolerance	Lower tolerance with prefix (reveals minimum) -0.2 Upper tolerance with prefix (reveals maximum) +0.2 Tolerance, unit mm
Solder pin length tolerance	+0.2 / -0.2 mm
Tolerance of solder pin position	± 0.1 mm

## Electrical properties

Dielectric strength, contact / shield	1500 V DC	Dielectric strength, contact / contact	1000 V DC
Volume resistance	<25 mΩ	Insulation resistance	≥ 500 MΩ

## RJ45C5 T1U 2.8E4N TY

**Weidmüller Interface GmbH & Co. KG**  
 Klingenbergstraße 26  
 D-32758 Detmold  
 Germany

www.weidmueller.com

## Technical data

Nominal voltage	125 V	Rated current	1.5 A
PoE / PoE+	conforming to IEEE 802.3at		

### Standards

Connector standard	IEC 60603-7-5 1
--------------------	-----------------

### Material data

Insulating material	PA 66	Colour	black
Colour chart (similar)	RAL 9011	Insulating material group	II
Comparative Tracking Index (CTI)	≥ 500	Insulation resistance	≥ 500 MΩ
Moisture Level (MSL)		UL 94 flammability rating	V-0
Contact base material	Phosphorus bronze	Contact material	Cu-alloy
Contact surface	Gold over nickel	Layer structure of plug contact	30...80 μ" Ni / ≥ 30 μ" Au
Storage temperature, min.	-40 °C	Storage temperature, max.	85 °C
Operating temperature, min.	-40 °C	Operating temperature, max.	85 °C

### Packing

Packaging	Tray (manual assembly)	VPE length	316.00 mm
VPE width	190.00 mm	VPE height	67.00 mm

### Important note

Notes

### Classifications

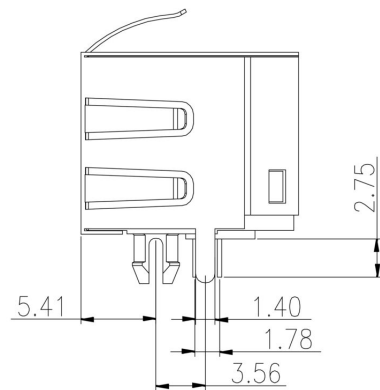
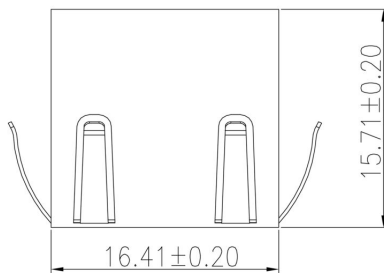
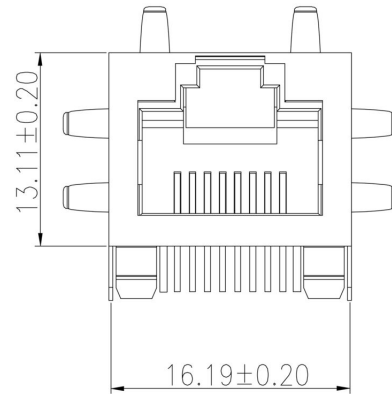
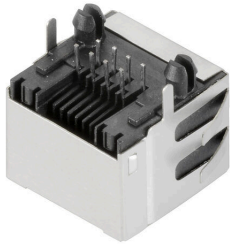
ETIM 8.0	EC002637	ETIM 9.0	EC002637
ETIM 10.0	EC002637	ECLASS 14.0	27-46-02-01
ECLASS 15.0	27-46-02-01		

RJ45C5 T1U 2.8E4N TY

Weidmüller Interface GmbH & Co. KG  
 Klingenbergstraße 26  
 D-32758 Detmold  
 Germany

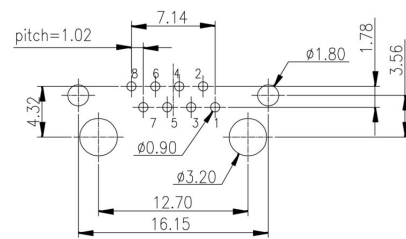
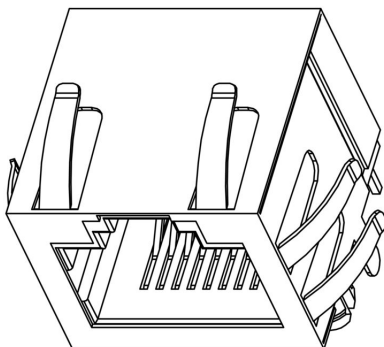
www.weidmueller.com

Drawings



Dimensioned drawing

PCB design



PCB LAYOUT

RJ45C5 T1U 2.8E4N TY

**Weidmüller Interface GmbH & Co. KG**  
 Klingenbergstraße 26  
 D-32758 Detmold  
 Germany

Drawings

www.weidmueller.com

Code	Value	Description
RJ45	G1	RJ45G1
R	1	R1U
U	3.2	U3.2E
E	4	E4
GY/GY		GY/GY
TY		TY
<b>RJ45G1 R1U 3.2E4GY/GY TY</b>		
<b>Packaging</b>	<b>TY</b> <b>RL</b>	Tray in box (manual assembly) Tape on Reel (automated assembly)
<b>LED</b>	<b>Y/G</b> <b>G/Y</b> <b>GY/GY</b> <b>O/G</b> <b>R/O</b> ... <b>N</b>	Yellow/Green Green/Yellow (standard) Green-Yellow/Green-Yellow Orange/Green Red/Orange ... (further combinations possible) without LED
<b>Contact surface thickness</b>	<b>4</b>	1 = 3µ", 2 = 6µ", 3 = 15µ", 4 = 30µ", 5 = 50µ"
<b>EMI tabs (ground fingers)</b>	<b>E</b> <b>N</b>	<b>E</b> = with EMI tabs <b>N</b> = without EMI tabs
<b>Solder Pin length</b>	<b>3.2</b> <b>1.6</b> <b>D</b>	3.2 mm 1.6 mm SMD
<b>Direction, latch style</b>	<b>U</b> <b>D</b> <b>V</b> <b>Y</b>	Horizontal (90°, side entry), latch up Horizontal (90°, side entry), latch down Vertical (180°, top entry) Diagonal (45°), latch up
<b>Number of Ports</b>	<b>1</b> <b>12; 14; ...</b> <b>21; 41; ...</b>	1 Port multi ports side by side, Multiport multi ports about each other, Multilevel
<b>Assembly on PCB</b>	<b>R</b> <b>S</b> <b>T</b>	Through Hole Reflow - THR Soldering process: Wave or Reflow soldering Surface Mount Technology - SMT Soldering process: Reflow soldering Through Hole Technology - THT Soldering process: Wave
<b>Performance Category</b>	<b>C5</b> <b>C6</b> <b>C6A</b> <b>C5e</b> <b>M</b> <b>G1</b> <b>G10</b> <b>U</b> <b>MP</b> <b>MP+</b>	Category 5 Category 6 Category 6A Category 5e 10/100 Mbit 10/100/1000 Mbit 10 Gbit Unshielded 10/100 Mbit with POE 10/100 Mbit with POE+

Legend