

## RJ45C5 R1D 3.2E4G/Y RL

Weidmüller Interface GmbH & Co. KG

Klingenbergstraße 26

D-32758 Detmold

Germany

www.weidmueller.com



The product range encompasses the following designs:

- 90°, lying (horizontal) and 180°, standing (vertical)
- latch up / latch down
- THT, THR or SMD soldering processes
- Wide range of different design types, also with integrated LEDs and shield contact tabs
- Performance category Cat. 3 to Cat. 6
- Packed either in a tray (TY) or on a roll (tape-on-reel, RL)
- Compatible with modular RJ45 connector according to ANSI / TIA-1096-A and IEC 60603
- Dielectric strength  $\geq 1500$  V AC RMS (2250 V AC peak value) according to IEEE 802.3
- Dielectric strength  $\geq 1500$  V AC (peak value) or  $\geq 1500$  V DC according to IEC 60603

Properties and advantages:

- Extended temperature range of  $-40^{\circ}\text{C}$  to  $+85^{\circ}\text{C}$  for maximum performance
- Reinforced gold layer ( $30\mu\text{m}$ ) for improved corrosion protection
- At least 0.3mm stand-off ensures a perfect soldering result

### General ordering data

Version	OMNIMATE Data - RJ45 modular jack, PCB plug-in connector, Cat. 5, THT/THR solder connection, 90°, bottom, 6 tabs, Yes, Plugging cycles: 750, Number of poles: 12, PA 9T, 30...80 $\mu\text{m}$ Ni / $\geq 30$ $\mu\text{m}$ Au , Tape
Order No.	<a href="#">2562870000</a>
Type	RJ45C5 R1D 3.2E4G/Y RL
GTIN (EAN)	4050118571790
Qty.	200 items
Packaging	Tape

## RJ45C5 R1D 3.2E4G/Y RL

Weidmüller Interface GmbH & Co. KG  
Klingenbergstraße 26  
D-32758 Detmold  
Germany

www.weidmueller.com

## Technical data

## Approvals

Approvals



ROHS	Conform
UL File Number Search	<a href="#">UL Website</a>
Certificate No. (cURus)	E471884

## Dimensions and weights

Depth	21.5 mm	Depth (inches)	0.8465 inch
Height	15.8 mm	Height (inches)	0.622 inch
Height of lowest version	13.6 mm	Width	15.8 mm
Width (inches)	0.622 inch	Net weight	9.64 g

## Environmental Product Compliance

RoHS Compliance Status	Compliant without exemption
REACH SVHC	No SVHC above 0.1 wt%

## System specifications

Number of poles	12
LED	Yes
Solder pin length (l)	3.2 mm
Mounting onto the PCB	THT/THR solder connection
Pitch in inches (P)	0.050 "
Shielding material	Brass
Shielding	Yes
Side termination, characteristic	Solder flange
Solder eyelet hole diameter tolerance (D)	± 0.1 mm
Number of solder pins per pole	1
Type of connection	Solder connection
Solder eyelet hole diameter (D)	0.9 mm
Category	Cat. 5
Product family	OMNIMATE Data - RJ45 modular jack
Pitch in mm (P)	1.27 mm
Protection degree	IP20
Plugging cycles	750
Wiring	8-core
Outgoing elbow	90°
Forward current	20 mA
Forward voltage, max.	2.6 V
Shield surface	nickel-plated
Colour of right LED	yellow
Shield tabs	6 tabs
Performance-Category	Cat. 5
Soldering process	Reflow soldering, Manual soldering, Wave soldering
Latch option	bottom
Solder pin dimensions	Octagonal
Solder pin length tolerance	Lower tolerance with prefix (reveals minimum) -0.5
	Upper tolerance with prefix (reveals maximum) +0.5
	Tolerance, unit mm
Solder pin length tolerance	+0.5 / -0.5 mm
Tolerance of solder pin position	± 0.15 mm
Forward voltage, min.	1.8 V

## RJ45C5 R1D 3.2E4G/Y RL

**Weidmüller Interface GmbH & Co. KG**  
 Klingenbergstraße 26  
 D-32758 Detmold  
 Germany

www.weidmueller.com

## Technical data

Colour of left LED green

### Electrical properties

Dielectric strength, contact / shield	1500 V DC	Dielectric strength, contact / contact	1000 V DC
Volume resistance	<25 mΩ	Insulation resistance	≥ 500 MΩ
Nominal voltage	125 V	Rated current	1.5 A
PoE / PoE+	conforming to IEEE 802.3at		

### Standards

Connector standard IEC 60603-7-51

### Material data

Insulating material	PA 9T	Colour	black
Colour chart (similar)	RAL 9011	Insulating material group	II
Comparative Tracking Index (CTI)	≥ 500	Insulation resistance	≥ 500 MΩ
Moisture Level (MSL)	1	UL 94 flammability rating	V-0
Contact base material	Phosphorus bronze	Contact material	Cu-alloy
Contact surface	Gold over nickel	Layer structure of plug contact	30...80 μ" Ni / ≥ 30 μ" Au
Storage temperature, min.	-40 °C	Storage temperature, max.	85 °C
Operating temperature, min.	-40 °C	Operating temperature, max.	85 °C

### Packing

Packaging	Tape	VPE length	336.00 mm
VPE width	334.00 mm	VPE height	125.00 mm
Tape reel diameter Ø (A)	330 mm	Surface resistance	Rs = 109 - 1012 Ω

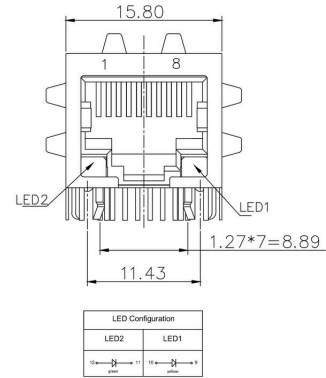
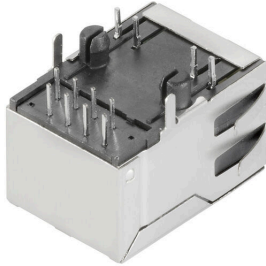
### Important note

Notes

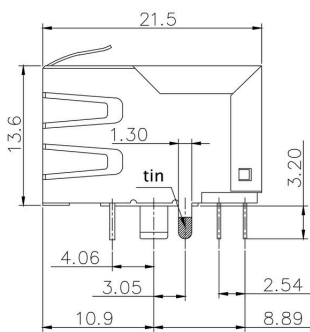
### Classifications

ETIM 8.0	EC002637	ETIM 9.0	EC002637
ETIM 10.0	EC002637	ECLASS 14.0	27-46-02-01
ECLASS 15.0	27-46-02-01		

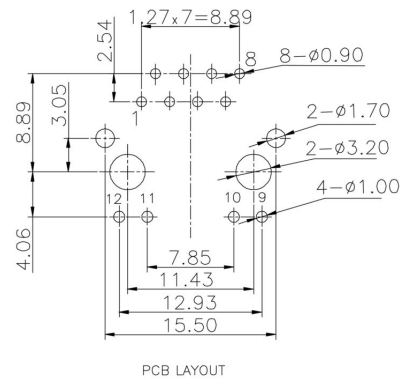
Dimensioned drawing



Dimensioned drawing



PCB design



RJ45C5 R1D 3.2E4G/Y RL

Weidmüller Interface GmbH & Co. KG  
 Klingenbergstraße 26  
 D-32758 Detmold  
 Germany

Drawings

www.weidmueller.com

Code	Meaning	Value	Description
RJ45	Performance Category	C5	Category 5
G1	Performance Category	G1	10/100/1000 Mbit
R	Assembly on PCB	R	Through Hole Reflow - THR
1	Number of Ports	1	1 Port
U	Direction, latch style	U	Horizontal (90°, side entry), latch up
3.2	Solder Pin length	3.2	3.2 mm
E	EMI tabs (ground fingers)	E	E = with EMI tabs
4	Contact surface thickness	4	1 = 3µm, 2 = 6µm, 3 = 15µm, 4 = 30µm, 5 = 50µm
GY/GY	LED	GY/GY	Green-Yellow/Green-Yellow
TY	Packaging	TY	Tray in box (manual assembly)
		RL	Tape on Reel (automated assembly)
		Y/G	Yellow/Green
		G/Y	Green/Yellow (standard)
		O/G	Orange/Green
		R/O	Red/Orange
		...	... (further combinations possible)
		N	without LED
		N	N = without EMI tabs
		D	SMD
		D	Horizontal (90°, side entry), latch down
		V	Vertical (180°, top entry)
		Y	Diagonal (45°), latch up
		...	... (further combinations possible)
		S	Surface Mount Technology - SMT
		T	Through Hole Technology - THT
		T	Soldering process: Wave
		C6	Category 6
		C6A	Category 6A
		C6e	Category 6e
		M	10/100 Mbit
		G10	10 Gbit
		U	Unshielded
		MP	10/100 Mbit with POE
		MP+	10/100 Mbit with POE+

Legend