

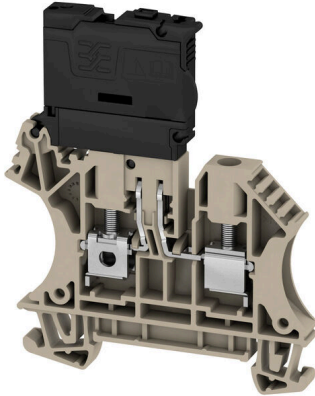
## WFS 4 30-70V DB

**Weidmüller Interface GmbH & Co. KG**

Klingenbergstraße 26  
D-32758 Detmold  
Germany

[www.weidmueller.com](http://www.weidmueller.com)

### Product image



Fuse terminal blocks and component terminal blocks allow protective and functional elements to be integrated directly into the terminal strip. Fuse terminal blocks include built-in fuse holders to reliably protect electrical circuits against overload –ideal for control and distribution systems. Component terminal blocks make it possible to incorporate electronic components such as diodes, resistors, or LEDs directly into the wiring. This enables space-saving and clearly arranged implementation of switching functions and signal separation. Both types of terminal blocks ensure higher safety, easy maintenance, and a compact, function-oriented installation.

### General ordering data

Version	Fuse terminal, Screw connection, dark beige, 4 mm <sup>2</sup> , 6.3 A, 70 V, Number of connections: 2, Number of levels: 1, TS 35
Order No.	<a href="#">2561980000</a>
Type	WFS 4 30-70V DB
GTIN (EAN)	4050118570458
Qty.	50 items

## WFS 4 30-70V DB

**Weidmüller Interface GmbH & Co. KG**  
 Klingenbergstraße 26  
 D-32758 Detmold  
 Germany

www.weidmueller.com

## Technical data

### Approvals

Approvals



ROHS	Conform
UL File Number Search	<a href="#">UL Website</a>
Certificate No. (cURus)	E60693

### Dimensions and weights

Depth	75 mm	Depth (inches)	2.9527 inch
Depth including DIN rail	75.5 mm	Height	62.5 mm
Height (inches)	2.4606 inch	Width	6.1 mm
Width (inches)	0.2402 inch	Net weight	17.69 g

### Temperatures

Storage temperature	-25 °C...55 °C	Ambient temperature	-60 °C...85 °C
Continuous operating temp., min.	-60 °C	Continuous operating temp., max.	130 °C

### Environmental Product Compliance

RoHS Compliance Status	Compliant without exemption
REACH SVHC	No SVHC above 0.1 wt%

### Material data

Basic material	Wemid	Colour	dark beige
UL 94 flammability rating	V-0		

### Rating data IECEx/ATEX

Certificate No. (ATEX)	TÜV20ATEX8502U	Certificate No. (IECEx)	IECExTUR20.0014U
Wire cross section max. (ATEX)	6 mm <sup>2</sup>	Wire cross section max. (IECEx)	6 mm <sup>2</sup>

### System specifications

Version	Screw connection, Fuse isolator	End cover plate required	Yes
Number of potentials	1	Number of levels	1
Number of clamping points per level	2	Number of potentials per tier	1
Levels cross-connected internally	No	PE connection	No
Mounting rail	TS 35	N-function	No
PE function	No	PEN function	No

### Additional technical data

Open sides	right	Type of mounting	Snap-on
------------	-------	------------------	---------

**WFS 4 30-70V DB**

**Weidmüller Interface GmbH & Co. KG**  
 Klingenbergstraße 26  
 D-32758 Detmold  
 Germany

www.weidmueller.com

**Technical data**

**CSA rating data**

Wire cross section max. (CSA)	10 AWG	Certificate No. (CSA)	200039-1057876
Voltage size B (CSA)	300 V	Current size B (CSA)	10 A
Voltage size D (CSA)	300 V	Current size D (CSA)	10 A
Wire cross section min. (CSA)	22 AWG		

**Conductors for clamping (additional connection)**

Connection type, additional connection	Screw connection
--	------------------

**Conductors for clamping (rated connection)**

Gauge to IEC 60947-1	A4												
Wire connection cross section AWG, max.	AWG 10												
Connection direction	on side												
Tightening torque, max.	0.6 Nm												
Tightening torque, min.	0.5 Nm												
Stripping length	13 mm												
Type of connection 2	Screw connection												
Type of connection	Screw connection												
Number of connections	2												
Clamping range, max.	6 mm <sup>2</sup>												
Clamping range, min.	0.22 mm <sup>2</sup>												
Clamping screw	M 3												
Blade size	0.6 x 3.5 mm												
Wire connection cross section AWG, min.	AWG 26												
Wire connection cross-section, finely stranded with wire-end ferrules DIN 46228/4, max.	4 mm <sup>2</sup>												
Wire connection cross-section, finely stranded with wire-end ferrules DIN 46228/4, min.	0.22 mm <sup>2</sup>												
Wire connection cross-section, finely stranded with wire-end ferrules DIN 46228/1, max.	4 mm <sup>2</sup>												
Wire connection cross-section, finely stranded with wire-end ferrules DIN 46228/1, min.	0.22 mm <sup>2</sup>												
Wire connection cross section, finely stranded, max.	4 mm <sup>2</sup>												
Wire connection cross section, finely stranded, min.	0.22 mm <sup>2</sup>												
Connection cross-section, stranded, max.	6 mm <sup>2</sup>												
Connection cross-section, stranded, min.	0.22 mm <sup>2</sup>												
Torque level with DMS electric screwdriver	2												
Wire connection cross-section, solid core, max.	6 mm <sup>2</sup>												
Wire connection cross-section, solid core, min.	0.22 mm <sup>2</sup>												
Connection cross-section, finely stranded, min.	0.22 mm <sup>2</sup>												
Clampable conductor	<table border="1"> <tr> <th>Connection specification</th> <th colspan="2">Screw connection</th> </tr> <tr> <td>Cross-section for conductor connection</td> <td>Type</td> <td>solid, H05(07) V-U</td> </tr> <tr> <td></td> <td>min.</td> <td>0.5 mm<sup>2</sup></td> </tr> <tr> <td></td> <td>max.</td> <td>6 mm<sup>2</sup></td> </tr> </table>	Connection specification	Screw connection		Cross-section for conductor connection	Type	solid, H05(07) V-U		min.	0.5 mm <sup>2</sup>		max.	6 mm <sup>2</sup>
Connection specification	Screw connection												
Cross-section for conductor connection	Type	solid, H05(07) V-U											
	min.	0.5 mm <sup>2</sup>											
	max.	6 mm <sup>2</sup>											

Technical data

wire end ferrule	nominal	4 mm <sup>2</sup>	
		Stripping length	min. 13 mm
	Tightening torque		max. 13 mm
		nominal	13 mm
Connection specification	Screw connection	Screw connection	
		Type	stranded, H07V-R
	min.		1.5 mm <sup>2</sup>
		max.	6 mm <sup>2</sup>
wire end ferrule	nominal	4 mm <sup>2</sup>	
		Stripping length	min. 13 mm
	Tightening torque		max. 13 mm
		nominal	13 mm
Connection specification	Screw connection	Screw connection	
		Type	flexible, H05(07) V-K
	min.		0.5 mm <sup>2</sup>
		max.	4 mm <sup>2</sup>
wire end ferrule	nominal	4 mm <sup>2</sup>	
		Stripping length	min. 13 mm
	Tightening torque		max. 13 mm
		nominal	13 mm

Fuse terminals

Cartridge fuse	G-Si. 5 x 20	Fuse holder (cartridge holder)	Pivoting
Type of voltage for indicator	AC/DC	Current	6.3 A
Display	LED	Operating voltage, max.	70 V
Power loss, 1-pole ; 2-pole ; 3-pole		Permitted power loss for fuse with semiconductor protection	
Leakage current, max.	0.5 mA		

General

Wire connection cross section AWG, max.	AWG 10	Wire connection cross section AWG, min.	AWG 26
Standards	IEC 60947-7-3	Mounting rail	TS 35

Rating data

Rated cross-section	4 mm <sup>2</sup>	Rated voltage	70 V
Rated voltage to adjoining terminal	400 V	Rated DC voltage	70 V
Nominal current	6.3 A	Current at maximum wires	6.3 A
Standards	IEC 60947-7-3	Volume resistance according to IEC 60947-7-x	1 mΩ
Rated impulse withstand voltage	6 kV	Power loss in accordance with IEC 60947-7-x	1.02 W
Pollution severity	3		

UL rating data

Conductor size Factory wiring max. (cURus)	10 AWG	Voltage size B (cURus)	300 V
Voltage size D (cURus)	300 V	Certificate No. (cURus)	E60693

## WFS 4 30-70V DB

**Weidmüller Interface GmbH & Co. KG**  
Klingenbergstraße 26  
D-32758 Detmold  
Germany

[www.weidmueller.com](http://www.weidmueller.com)

## Technical data

Conductor size Field wiring min. (cURus) 22 AWG	Conductor size Factory wiring min. (cURus) 22 AWG
Current size B (cURus) 10 A	Current size D (cURus) 10 A
Conductor size Field wiring max. (cURus) 10 AWG	

### Important note

Product information The voltage depends on the selected fuse element or the selected indicator light

### Classifications

ETIM 8.0	EC000899	ETIM 9.0	EC000899
ETIM 10.0	EC000899	ECLASS 14.0	27-25-01-13
ECLASS 15.0	27-25-01-13		

Drawings

