

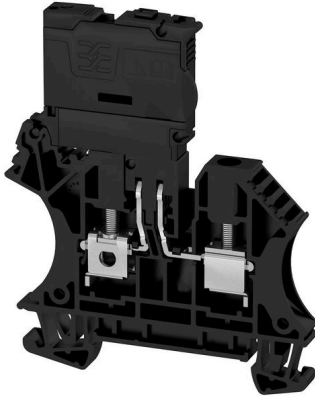
WFS 4**Weidmüller Interface GmbH & Co. KG**

Klingenbergstraße 26

D-32758 Detmold

Germany

www.weidmueller.com

Product image

Fuse terminal blocks and component terminal blocks allow protective and functional elements to be integrated directly into the terminal strip. Fuse terminal blocks include built-in fuse holders to reliably protect electrical circuits against overload –ideal for control and distribution systems. Component terminal blocks make it possible to incorporate electronic components such as diodes, resistors, or LEDs directly into the wiring. This enables space-saving and clearly arranged implementation of switching functions and signal separation. Both types of terminal blocks ensure higher safety, easy maintenance, and a compact, function-oriented installation.

General ordering data

| | |
|------------|--|
| Version | Fuse terminal, Screw connection, black, 4 mm ² , 6.3 A, 400 V, Number of connections: 2, Number of levels: 1, TS 35 |
| Order No. | 2561900000 |
| Type | WFS 4 |
| GTIN (EAN) | 4050118570403 |
| Qty. | 50 items |

WFS 4

Weidmüller Interface GmbH & Co. KG
Klingenbergstraße 26
D-32758 Detmold
Germany

www.weidmueller.com

Technical data

Approvals

Approvals



| | |
|-------------------------|----------------------------|
| ROHS | Conform |
| UL File Number Search | UL Website |
| Certificate No. (cURus) | E60693 |

Dimensions and weights

| | | | |
|--------------------------|-------------|----------------|-------------|
| Depth | 75 mm | Depth (inches) | 2.9527 inch |
| Depth including DIN rail | 75.5 mm | Height | 62.5 mm |
| Height (inches) | 2.4606 inch | Width | 6.1 mm |
| Width (inches) | 0.2402 inch | Net weight | 11 g |

Temperatures

| | | | |
|----------------------------------|----------------|----------------------------------|----------------|
| Storage temperature | -25 °C...55 °C | Ambient temperature | -60 °C...85 °C |
| Continuous operating temp., min. | -60 °C | Continuous operating temp., max. | 130 °C |

Environmental Product Compliance

| | |
|------------------------|-----------------------------|
| RoHS Compliance Status | Compliant without exemption |
| REACH SVHC | No SVHC above 0.1 wt% |

Material data

| | | | |
|---------------------------|-------|--------|-------|
| Basic material | Wemid | Colour | black |
| UL 94 flammability rating | V-0 | | |

Rating data IECEx/ATEX

| | | | |
|--------------------------------|-------------------|---------------------------------|-------------------|
| Certificate No. (ATEX) | TÜV20ATEX8502U | Certificate No. (IECEx) | IECExTUR20.0014U |
| Max. voltage (ATEX) | 250 V | Current (ATEX) | 6.3 A |
| Wire cross section max. (ATEX) | 6 mm ² | Max. voltage (IECEx) | 250 V |
| Current (IECEx) | 6.3 A | Wire cross section max. (IECEx) | 6 mm ² |

System specifications

| | | | |
|-------------------------------------|---------------------------------|-------------------------------|-----|
| Version | Screw connection, Fuse isolator | End cover plate required | Yes |
| Number of potentials | 1 | Number of levels | 1 |
| Number of clamping points per level | 2 | Number of potentials per tier | 1 |
| Levels cross-connected internally | No | PE connection | No |
| Mounting rail | TS 35 | N-function | No |
| PE function | No | PEN function | No |

Additional technical data

| | | | |
|------------|-------|------------------|---------|
| Open sides | right | Type of mounting | Snap-on |
|------------|-------|------------------|---------|

WFS 4

Weidmüller Interface GmbH & Co. KG
 Klingenbergstraße 26
 D-32758 Detmold
 Germany

www.weidmueller.com

Technical data

CSA rating data

| | | | |
|-------------------------------|--------|-----------------------|----------------|
| Wire cross section max. (CSA) | 10 AWG | Certificate No. (CSA) | 200039-1057876 |
| Voltage size B (CSA) | 300 V | Current size B (CSA) | 10 A |
| Voltage size D (CSA) | 300 V | Current size D (CSA) | 10 A |
| Wire cross section min. (CSA) | 22 AWG | | |

Conductors for clamping (additional connection)

Connection type, additional connection Screw connection

Conductors for clamping (rated connection)

| | | |
|---|--|--------------------|
| Gauge to IEC 60947-1 | A4 | |
| Wire connection cross section AWG, max. | AWG 10 | |
| Connection direction | on side | |
| Tightening torque, max. | 0.6 Nm | |
| Tightening torque, min. | 0.5 Nm | |
| Stripping length | 13 mm | |
| Type of connection 2 | Screw connection | |
| Type of connection | Screw connection | |
| Number of connections | 2 | |
| Clamping range, max. | 6 mm ² | |
| Clamping range, min. | 0.22 mm ² | |
| Clamping screw | M 3 | |
| Blade size | 0.6 x 3.5 mm | |
| Wire connection cross section AWG, min. | AWG 26 | |
| Wire connection cross-section, finely stranded with wire-end ferrules DIN 46228/4, max. | 4 mm ² | |
| Wire connection cross-section, finely stranded with wire-end ferrules DIN 46228/4, min. | 0.22 mm ² | |
| Wire connection cross-section, finely stranded with wire-end ferrules DIN 46228/1, max. | 4 mm ² | |
| Wire connection cross-section, finely stranded with wire-end ferrules DIN 46228/1, min. | 0.22 mm ² | |
| Wire connection cross section, finely stranded, max. | 4 mm ² | |
| Wire connection cross section, finely stranded, min. | 0.22 mm ² | |
| Connection cross-section, stranded, max. | 6 mm ² | |
| Connection cross-section, stranded, min. | 0.22 mm ² | |
| Torque level with DMS electric screwdriver | 2 | |
| Wire connection cross-section, solid core, max. | 6 mm ² | |
| Wire connection cross-section, solid core, min. | 0.22 mm ² | |
| Connection cross-section, finely stranded, min. | 0.22 mm ² | |
| Clampable conductor | Connection specification | |
| | Cross-section for conductor connection | |
| | Screw connection | |
| | Type | solid, H05(07) V-U |
| min. | 0.5 mm ² | |
| max. | 6 mm ² | |

WFS 4

Weidmüller Interface GmbH & Co. KG

Klingenbergstraße 26

D-32758 Detmold

Germany

www.weidmueller.com

Technical data

| | | | |
|--|-------------------|-----------------------|------------|
| wire end ferrule | nominal | 4 mm ² | |
| | | Stripping length | min. 13 mm |
| | | | max. 13 mm |
| | Tightening torque | nominal 13 mm | |
| min. 0.5 Nm | | | |
| | | max. 0.6 Nm | |
| Connection specification | | Screw connection | |
| Cross-section for conductor connection | Type | stranded, H07V-R | |
| | min. | 1.5 mm ² | |
| | max. | 6 mm ² | |
| | nominal | 4 mm ² | |
| wire end ferrule | Stripping length | min. 13 mm | |
| | | max. 13 mm | |
| | | nominal 13 mm | |
| | Tightening torque | min. 0.5 Nm | |
| max. 0.6 Nm | | | |
| Connection specification | | Screw connection | |
| Cross-section for conductor connection | Type | flexible, H05(07) V-K | |
| | min. | 0.5 mm ² | |
| | max. | 4 mm ² | |
| | nominal | 4 mm ² | |
| wire end ferrule | Stripping length | min. 13 mm | |
| | | max. 13 mm | |
| | | nominal 13 mm | |
| | Tightening torque | min. 0.5 Nm | |
| max. 0.6 Nm | | | |

Fuse terminals

| | | | |
|--------------------------------------|--------------|---|----------|
| Cartridge fuse | G-Si. 5 x 20 | Fuse holder (cartridge holder) | Pivoting |
| Type of voltage for indicator | AC/DC | Current | 6.3 A |
| Display | Without LED | Operating voltage, max. | 250 V |
| Power loss, 1-pole ; 2-pole ; 3-pole | | Permitted power loss for fuse with semiconductor protection | |

General

| | | | |
|---|---------------|---|--------|
| Wire connection cross section AWG, max. | AWG 10 | Wire connection cross section AWG, min. | AWG 26 |
| Standards | IEC 60947-7-3 | Mounting rail | TS 35 |

Rating data

| | | | |
|-------------------------------------|-------------------|--|--------|
| Rated cross-section | 4 mm ² | Rated voltage | 400 V |
| Rated voltage to adjoining terminal | 400 V | Rated DC voltage | 400 V |
| Nominal current | 6.3 A | Current at maximum wires | 6.3 A |
| Standards | IEC 60947-7-3 | Volume resistance according to IEC 60947-7-x | 1 mΩ |
| Rated impulse withstand voltage | 6 kV | Power loss in accordance with IEC 60947-7-x | 1.02 W |
| Pollution severity | 3 | | |

UL rating data

| | | | |
|--|--------|-------------------------|--------|
| Conductor size Factory wiring max. (cURus) | 10 AWG | Voltage size B (cURus) | 300 V |
| Voltage size D (cURus) | 300 V | Certificate No. (cURus) | E60693 |

WFS 4

Weidmüller Interface GmbH & Co. KG
Klingenbergstraße 26
D-32758 Detmold
Germany

www.weidmueller.com

Technical data

| | |
|---|---|
| Conductor size Field wiring min. (cURus) 22 AWG | Conductor size Factory wiring min. (cURus) 22 AWG |
| Current size B (cURus) 10 A | Current size D (cURus) 10 A |
| Conductor size Field wiring max. (cURus) 10 AWG | |

Important note

Product information The voltage depends on the selected fuse element or the selected indicator light

Classifications

| | | | |
|-------------|-------------|-------------|-------------|
| ETIM 8.0 | EC000899 | ETIM 9.0 | EC000899 |
| ETIM 10.0 | EC000899 | ECLASS 14.0 | 27-25-01-13 |
| ECLASS 15.0 | 27-25-01-13 | | |

Drawings

